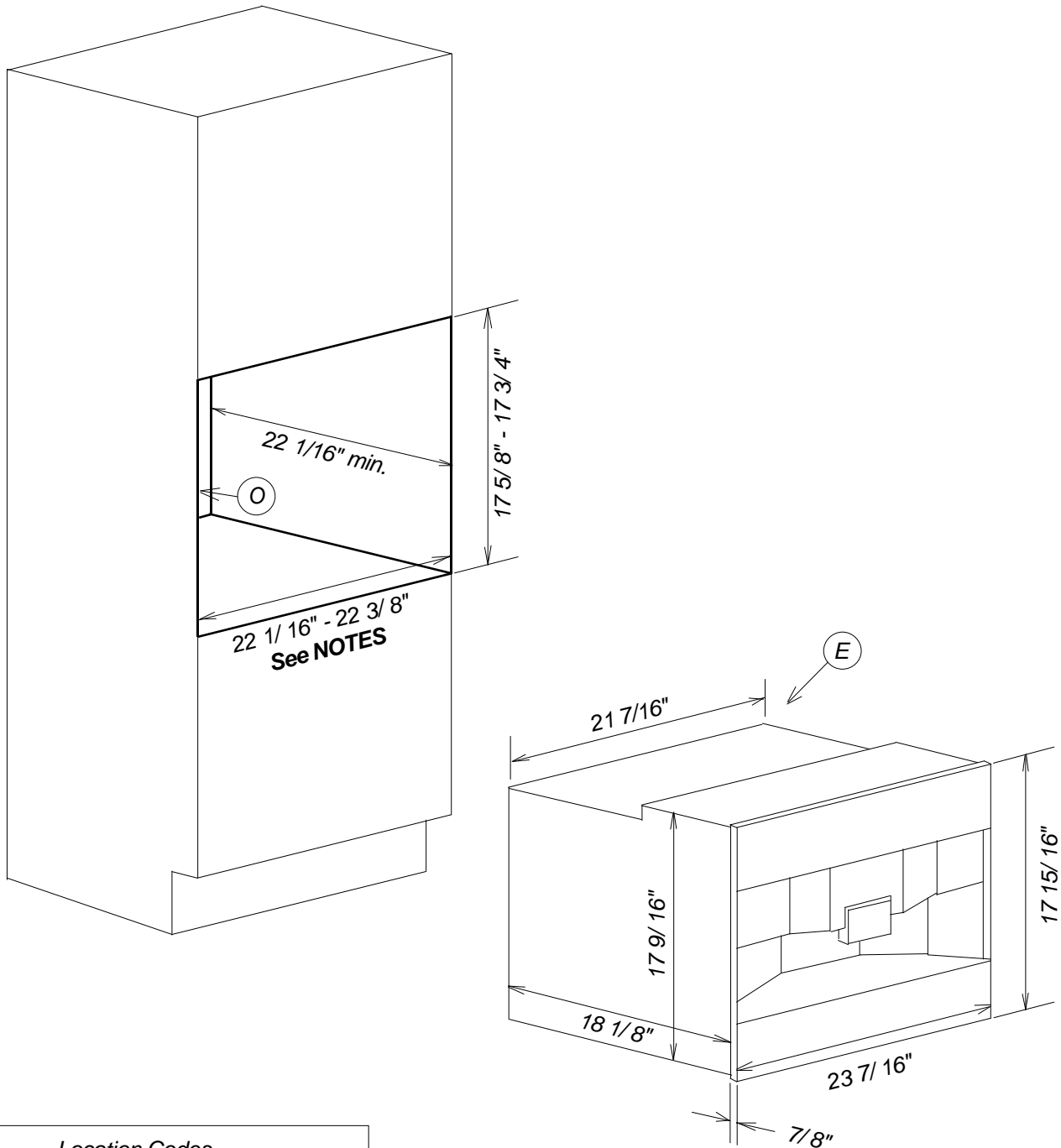


Product and Cut-out Dimensions

Built-in Coffee System

CVA 615



Location Codes
E - Pigtail electrical main connects left back side - NEMA 5-15 Plug
O - 120 Volt - 15 Amp - 3-wire connection box (live / neutral / ground).
Notes
<ul style="list-style-type: none"> • Installation with optional EBA 70 Filler Strips requires a width of $26"$ - $26 \frac{1}{4}"$ • All installations must be done in accordance with local codes.

NOTE: Drawing is not to scale.
SPECIFICATION SHEETS 011202