

# CV966TSS

## GE Café™ Designer Hood

### Dimensions and Installation Information (in inches)

#### Installation Information:

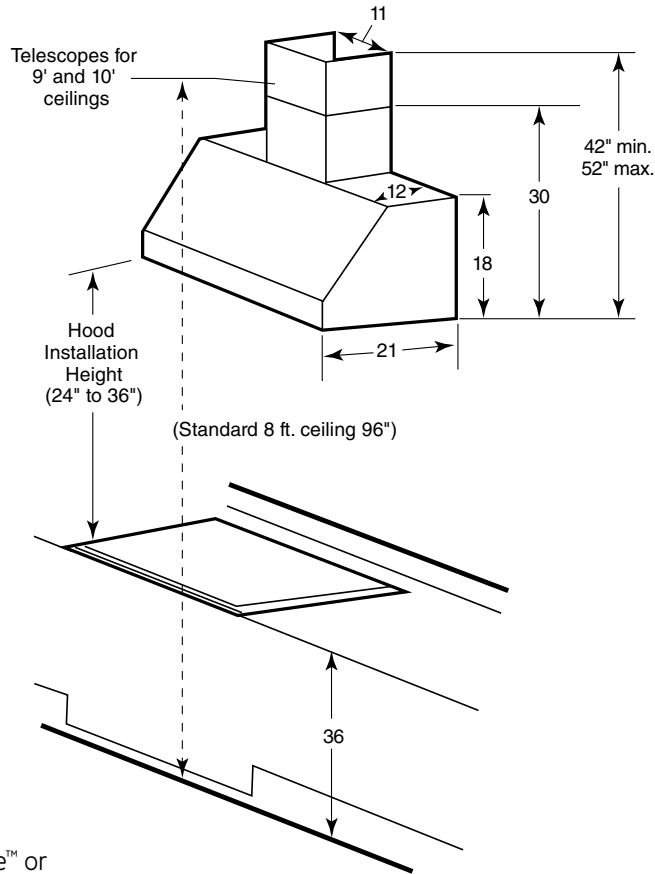
Before installing, consult Use & Care/ installation instructions packed with product for current dimensional data.

#### Optional Kits for 36" Designer hoods

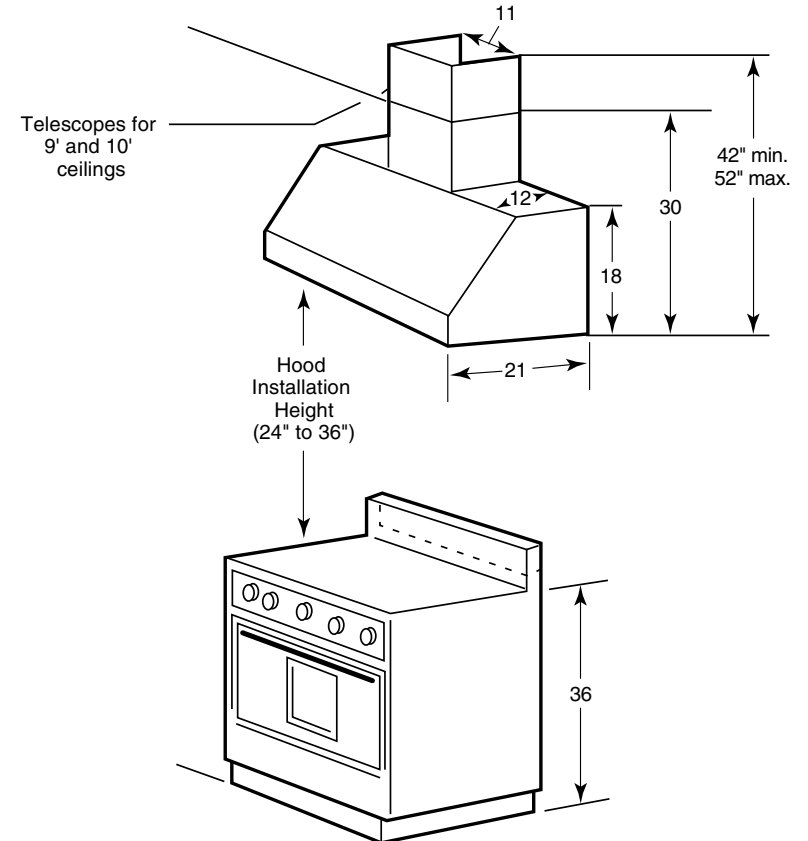
JXCHSS—Stainless Chimney Kit

Amp Rating	
120V	3.9

#### Installed above a cooktop (shown with optional chimney kit)



#### Installed above a range (shown with optional chimney kit)



For answers to your Monogram®, GE Profile™ or GE® appliance questions, visit our website at [geappliances.com](http://geappliances.com) or call GE Answer Center® service, 800.626.2000.

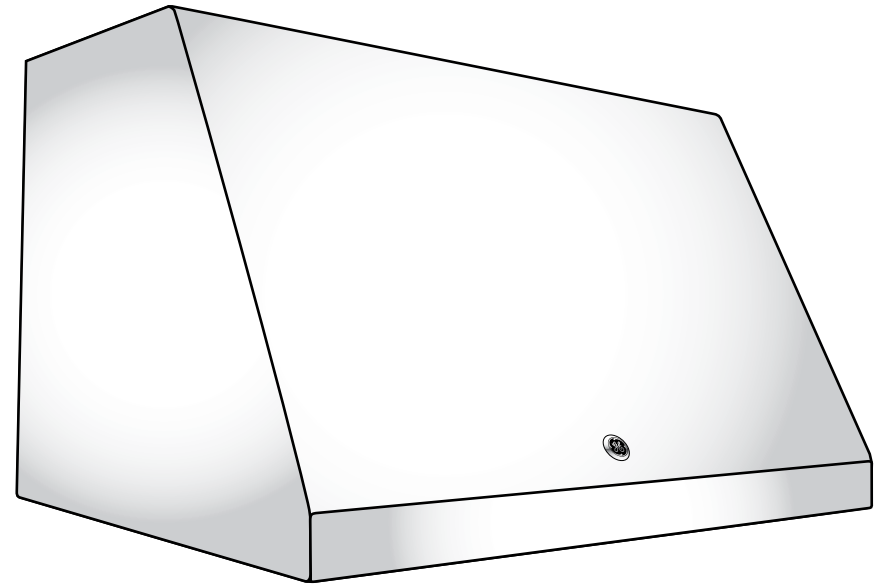


# CV966TSS

## GE Café™ Designer Hood

### Features and Benefits

- Designer Hood - Tall designer hood design adds a striking and sophisticated look to any kitchen
- 590 CFM - Powerful 590 CFM performance removes smoke and vapors from the cooking area
- Four Speed Fan Control - Powerful variable speed exhaust system effectively pulls smoke and vapors out of your kitchen
- Vertical Exhaust - Vent connects to duct work through the top of the hood
- Halogen Cooktop Light(s) - Provides bright light that illuminates the cooking surface below the hood
- Nightlight - Ideal light setting to use as nightlight for the kitchen
- Removable Grease Filter - Durable filters can be removed for easy cleaning and maintenance
- Model CV966TSS - Stainless steel



For answers to your Monogram®, GE Profile™ or GE® appliance questions, visit our website at [geappliances.com](http://geappliances.com) or call GE Answer Center® service, 800.626.2000.

