

CV936MSS

GE Café™ Designer Hood

Dimensions and Installation Information (in inches)

Installation Information:

Before installing, consult Use & Care/ installation instructions packed with product for current dimensional data.

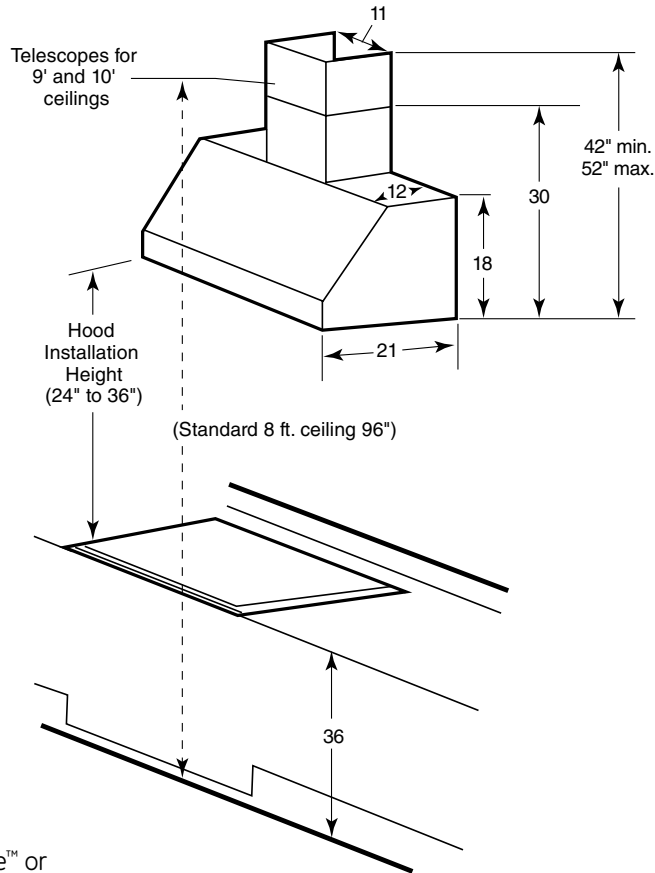
Optional Kits for 30" Designer hoods

JXBF30SS—30" Commercial Filter

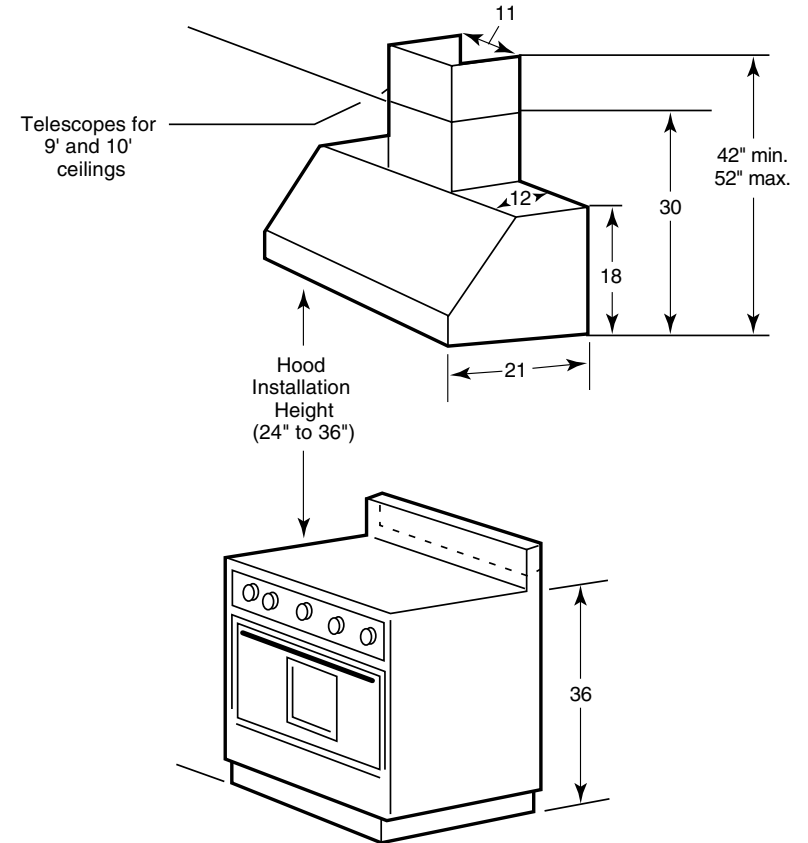
JXCHSS—Stainless Chimney Kit

Amp Rating	
120V	3.9

Installed above a cooktop (shown with optional chimney kit)



Installed above a range (shown with optional chimney kit)



For answers to your Monogram®, GE Profile™ or GE® appliance questions, visit our website at ge.com or call GE Answer Center® service, 800.626.2000.

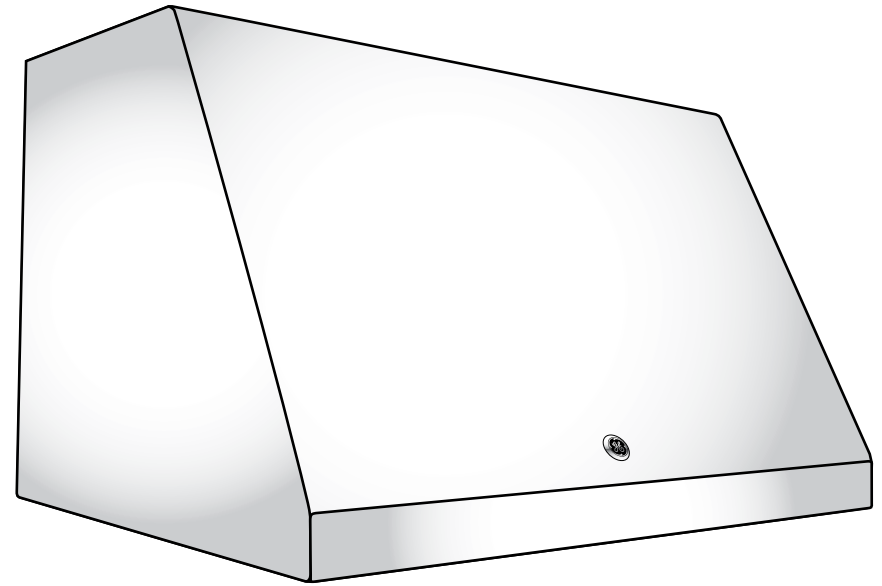


CV936MSS

GE Café™ Designer Hood

Features and Benefits

- Designer Hood - Tall designer hood design adds a striking and sophisticated look to any kitchen
- 600 CFM - Powerful 600 CFM performance removes smoke and vapors from the cooking area
- Four Speed Fan Control - Powerful variable speed exhaust system effectively pulls smoke and vapors out of your kitchen
- Vertical Exhaust - Vent connects to duct work through the top of the hood
- Halogen Cooktop Light(s) - Provides bright light that illuminates the cooking surface below the hood
- Nightlight - Ideal light setting to use as nightlight for the kitchen
- Removable Grease Filter - Durable filters can be removed for easy cleaning and maintenance
- Model CV936MSS – Stainless steel



For answers to your Monogram®, GE Profile™ or GE® appliance questions, visit our website at ge.com or call GE Answer Center® service, 800.626.2000.



imagination at work



Listed by
Underwriters
Laboratories