

Installation Instructions

30" French Door Built-in Wall Ovens

Questions? Call us at 1.800.432.2737 or visit GEAppliances.com.
In Canada, call 1.800.561.3344 or visit GEAppliances.ca.

BEFORE YOU BEGIN

Read these instructions completely and carefully.

- **IMPORTANT** — Save these instructions for local inspector's use.
- **IMPORTANT** — Observe all governing codes and ordinances.
- **Note to Installer** — Be sure to leave these instructions with Consumer.
- **Note to Consumer** — Keep these instructions for future reference.
- **Skill level** — Installation of this appliance requires a qualified installer or electrician.
- Proper installation is the responsibility of the installer.
- Product failure due to improper installation is not covered under Warranty.
- Product is for indoor use only.

ATTENTION INSTALLER: All electric wall ovens must be hard-wired (direct-wired) into an approved junction box. A plug and receptacle is NOT permitted on these products.

FOR YOUR SAFETY:

⚠ WARNING

Before beginning the installation, switch power off at the service panel and lock the service disconnecting means to prevent power from being switched on accidentally. When the service disconnecting means cannot be locked, securely fasten a prominent warning device, such as a tag, to the service panel.

Be sure the oven is securely installed in a cabinet that is firmly attached to the house structure. Weight on the oven door could cause the oven to tip and result in injury. Never allow anyone to climb, sit, stand or hang on the oven door.

Make sure the wall coverings, counters and cabinets around the oven can withstand the heat (up to 200°F [93.3°C]) generated by the oven.

MATERIALS YOU MAY NEED TOOLS YOU MAY NEED

Junction Box
Wire Nuts
Strain Relief Clamp for 1/2" Conduit

1/8" Drill Bit and Electric or Hand Drill
3/16" hex key
1/8" hex key
Phillips Screwdriver
Wire Strippers

1 REMOVE PACKAGING MATERIALS

Failure to remove packaging materials could result in damage to the appliance. Remove all packing parts from oven, racks and heating elements. Remove protective film and labels on the outer door and control panel. Also, remove plastic on trims and panel, all tape around the oven and any shipping screws securing the oven to the base pad. Open oven door and remove literature pack and oven racks. Remove the bottom trim from the top of the oven. It will be installed at the end of the installation process. The trim is wrapped separately and taped to the top of the unit.

DESIGN INFORMATION

FRENCH DOOR SINGLE OVEN INSTALLATIONS

The French Door single oven may be installed in a cabinet alone or above a warming drawer and/or below a Microwave/Advantium. However, the French Door single oven is not allowed under a countertop or cooktop, and it is not allowed to be installed flush to the front surface of the cabinet.

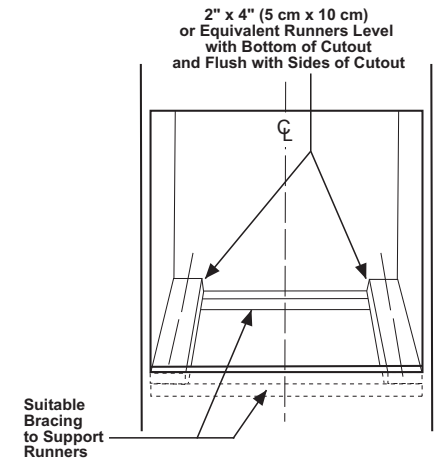
IMPORTANT: Always refer to individual installation instructions packed with each product for specific requirements.

2 PREPARE THE OPENING

NOTE: If the cabinet does not have a solid bottom, two braces or runners must be installed to support the weight of the oven. For French Door ovens, the runners and braces must support 220 lbs (98.8 kg).

NOTE: If marks, blemishes or the cutout opening are visible above the installed oven, it may be necessary to add wood shims under the runners and front trim until the marks or opening are covered.

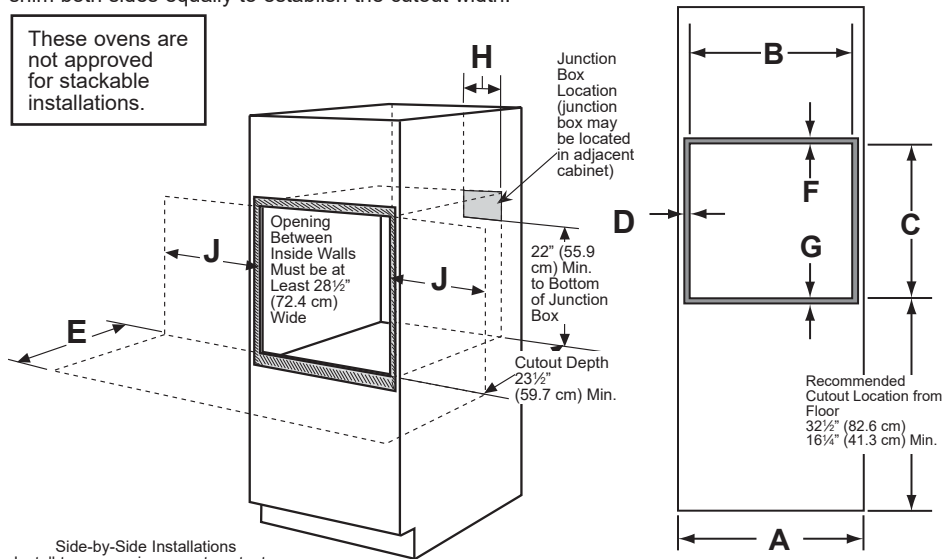
NOTE: If the cabinet does not have a front frame and the sides are less than 3/4" (1.9 cm) thick, shim both sides equally to establish the cutout width.



3 A CUTOUT FOR SINGLE OVENS IN WALL CABINET

NOTE: If the cabinet does not have a front frame and the sides are less than 3/4" (1.9 cm) thick, shim both sides equally to establish the cutout width.

These ovens are not approved for stackable installations.



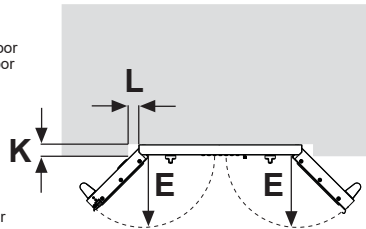
Side-by-Side Installations
Install two ovens in separate cutouts.
Center Line

30" Models
58 1/2" (148.6 cm) if both ovens are French Door
42 1/2" (108 cm) if only one oven is French Door

Cutout - observe all dimensions and requirements.

Cutout - observe all dimensions and requirements.

30" (76.2 cm) Min. if both ovens are French Door
14" (35.6 cm) Min. if only one oven is French Door



Dimension	Dimension Description	30" Single Oven
A	Cabinet width	30" (76.2 cm)
B	Cutout width	28 1/2" (72.4 cm) min. 28 5/8" (72.7 cm) max.
C	Cutout height	27 1/4" (69.2 cm) min. 27 5/16" (69.4 cm) max.
D	Clearance from cutout - side edges*	1 1/16" (1.75 cm)
E	Door swing depth - Allow additional clearances for installation and oven usage	16 1/4" (41.3 cm) min.
F	Clearance from cutout - top*	1" (2.5 cm) min 1 1/4" (3.2 cm)
G	Clearance from cutout - bottom*	1 1/4" (3.2 cm)
H	Junction box location	9 1/2" (24.1 cm) max. right side only
J	Door swing width - Allow additional clearances for installation and oven usage	14" (35.6 cm) min.
K	Countertop or cabinet door protrusion (measure if exist)	Measure "K"
L	Gap between edge of countertop or cabinet door to cabinet opening	If K = 0, L = 0, Otherwise L = K + 1" (2.54 cm) min.

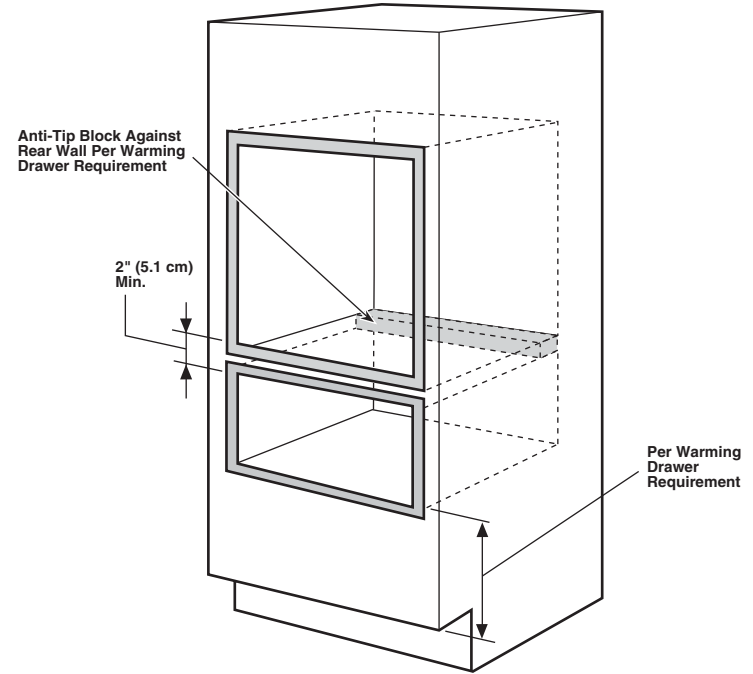
* Refers to minimum clearance required for wall oven installation and does not reflect actual product dimensions.

3 B CUTOUT FOR INSTALLATION OVER A WARMING DRAWER

NOTE: Install the oven only with specific models listed on the label located on top of the oven.

NOTE: Additional clearances between cutouts may be required. Check to be sure the oven supports above the Warming Drawer location do not obstruct the required interior depth and height.

When installing a Warming Drawer below a double oven, a separate 120V, 60 HZ, properly grounded receptacle must be installed. Refer to installation instructions packed with the Warming Drawer for specific installation requirements.



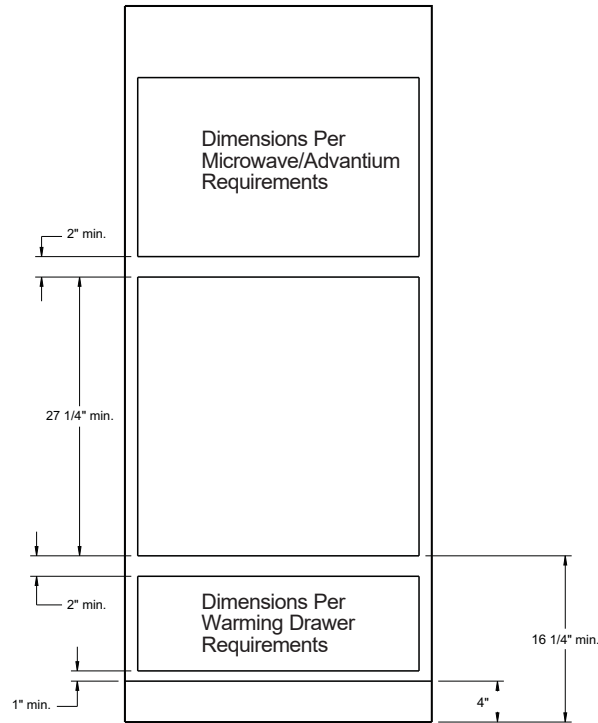
Per Warming Drawer Requirement

3 C CUTOUT FOR FRENCH DOOR UNDER A MICROWAVE/ADVANTIUM AND OVER A WARMING DRAWER

NOTE: Install the oven only with specific models listed on the label located on top of the oven.

NOTE: Additional clearances between cutouts may be required. Check to be sure the oven supports above the Warming Drawer location do not obstruct the required interior depth and height.

When installing a Warming Drawer below a single or double oven, a separate 120V, 60 HZ, properly grounded receptacle must be installed. Refer to installation instructions packed with the Warming Drawer for specific installation requirements.



4 ELECTRICAL REQUIREMENTS

⚠ WARNING This appliance must be properly grounded.

⚠ WARNING To prevent fire or shock, do not use an extension cord with this appliance.

⚠ WARNING To prevent shock, remove house fuse or open circuit breaker before beginning installation.

⚠ WARNING Improper connection of aluminum house wiring to copper leads can result in an electrical hazard or fire. Use only connectors designed for joining copper to aluminum and follow the manufacturer's recommended procedure closely.

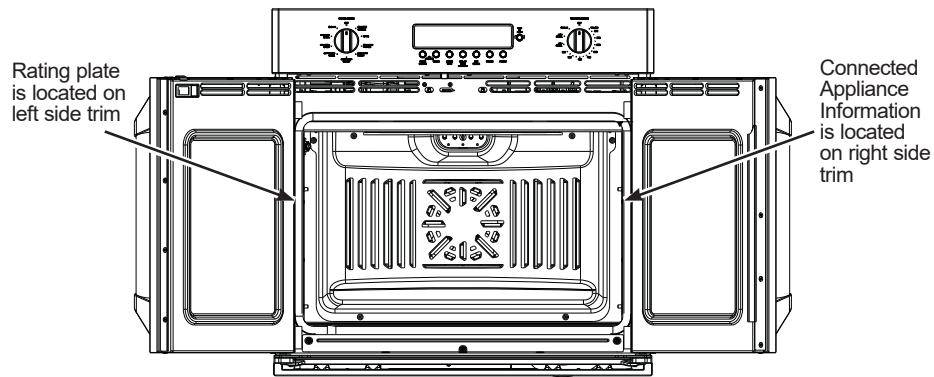
We recommend you have the electrical wiring and hookup of your appliance connected by a qualified electrician. After installation, have the electrician show you how to disconnect power from the appliance. You must use a single-phase, 120/208 VAC or 120/240 VAC, 60 Hertz electrical system. If you connect to aluminum wiring, properly installed connectors approved for use with aluminum wiring must be used.

Effective January 1, 1996, the National Electrical Code requires that new construction (not existing) utilize a four-conductor connection to an electric oven. When installing an electric oven in new construction, a mobile home, recreational vehicle or an area where local codes prohibit grounding through the neutral conductor, refer to the section on four-conductor branch circuit connections.

Check with your local utilities for electrical codes which apply in your area. Failure to wire your oven according to governing codes could result in a hazardous condition. If there are no local codes, your oven must be wired and fused to meet the National Electrical Code, NFPA No. 70 – latest edition, available from the National Fire Protection Association.

4 ELECTRICAL REQUIREMENTS (CONT.)

This appliance must be supplied with the proper voltage and frequency and connected to an individual, properly grounded branch circuit, protected by a circuit breaker or fuse. See the rating plate located on the oven frame to determine the rating of the product.



Use the chart below to determine the minimum recommended dedicated circuit protection:

KW Rating 240V	KW Rating 208V	Recommended Circuit Size (Dedicated)
≤4.8 KW	≤4.1 KW	20 Amp
4.9 KW–7.2 KW	4.2 KW–6.2 KW	30 Amp
7.3 KW–9.6 KW	6.3 KW–8.3 KW	40 Amp
9.7 KW–12.0 KW	8.4 KW–10.4 KW	50 Amp

DO NOT shorten the flexible conduit. The conduit strain relief clamp must be securely attached to the junction box and the flexible conduit must be securely attached to the clamp. If the flexible conduit will not fit within the clamp, do not install the oven until a clamp of the proper size is obtained.

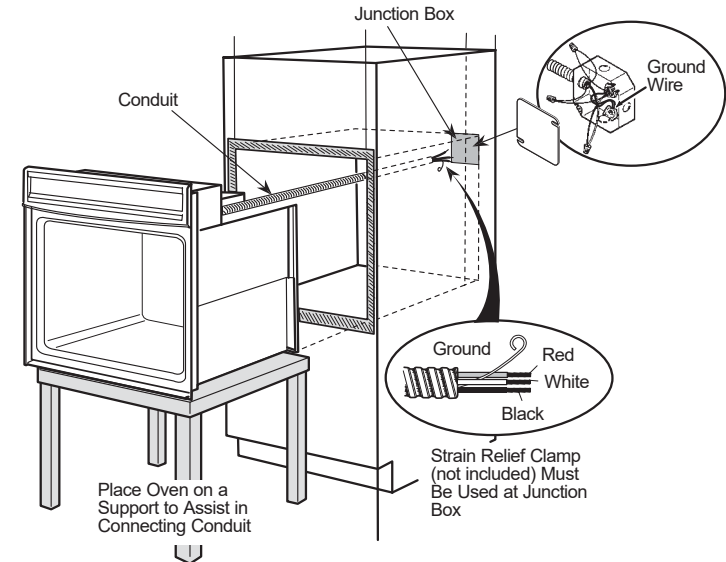
The 3 power leads supplied with this appliance are suitable for connection to heavier gauge household wiring. The insulation of these 3 leads is rated for temperatures much higher than the temperature rating of the household wiring. The current-carrying capacity of the conductor is governed by the wire gauge and the temperature rating of the insulation around the wire.

5 MAKE ELECTRICAL CONNECTIONS

⚠ WARNING

Switch power off at the service panel and lock the service disconnecting means to prevent power from being switched on accidentally. When the service disconnecting means cannot be locked, securely fasten a prominent warning device, such as a tag, to the service panel.

Place oven on table or platform even with the cutout opening. For a French Door oven, the platform must support 220 lbs. (98.8 kg). Connect the flexible conduit to the electrical junction box as shown below*. Position the conduit in such a manner that it will lie behind the unit in a natural loop when the oven is installed. You will need to purchase an appropriate strain relief clamp to complete the connection of the conduit to the junction box.



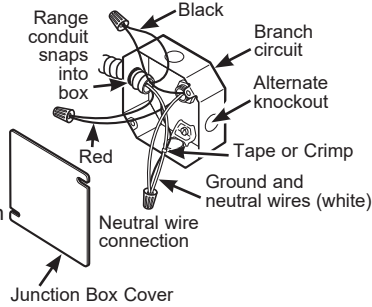
*Ovens come equipped with a 40" long conduit. If a longer conduit is desired, there may be one available for your model. To check availability or order parts, call GE Appliances at 1.800.GE.CARES (1.800.432.2737).

6 THREE-CONDUCTOR BRANCH CIRCUIT CONNECTION

NOTE: If residence leads are aluminum conductors, see **WARNING** in Section 3, Electrical Requirements.

When connecting to a three-conductor branch circuit, if local codes permit:

- A. Connect the oven ground conductor along with the neutral (white) lead to the branch circuit neutral (white or gray in color), using a wire nut.
- B. Connect the oven red lead to the branch circuit red lead and the oven black lead to the branch circuit black lead in accordance with local codes, using wire nuts.
- C. Install proper strain relief clamp.
- D. Install junction box cover.

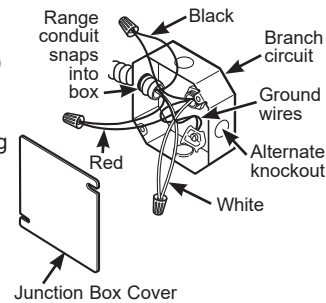


7 FOUR-CONDUCTOR BRANCH CIRCUIT CONNECTION

NOTE: If residence leads or ground are aluminum conductors, see **WARNING** in Section 3, Electrical Requirements.

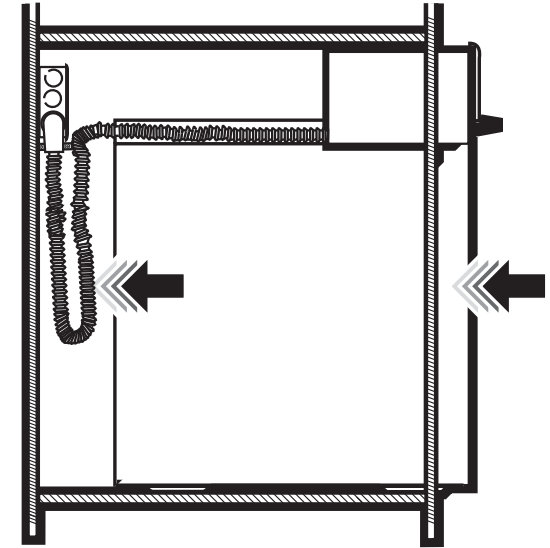
When connecting to a four-conductor branch circuit, if local codes permit:

- A. Free the neutral (white) lead from being restrained to any other wires. If necessary, cut the neutral (white) lead and then re-strip it to expose the proper length of conductor.
- B. Attach the appliance grounding lead (green or bare copper) in accordance with local codes.
- C. Connect the oven neutral (white) lead to the branch circuit neutral (white or gray) in accordance with local codes, using a wire nut.
- D. Connect the oven red lead to the branch circuit red lead and the oven black lead to the branch circuit black lead in accordance with local codes, using wire nuts.
- E. Install proper strain relief clamp.
- F. Install junction box cover.



8 SLIDE OVEN INTO OPENING

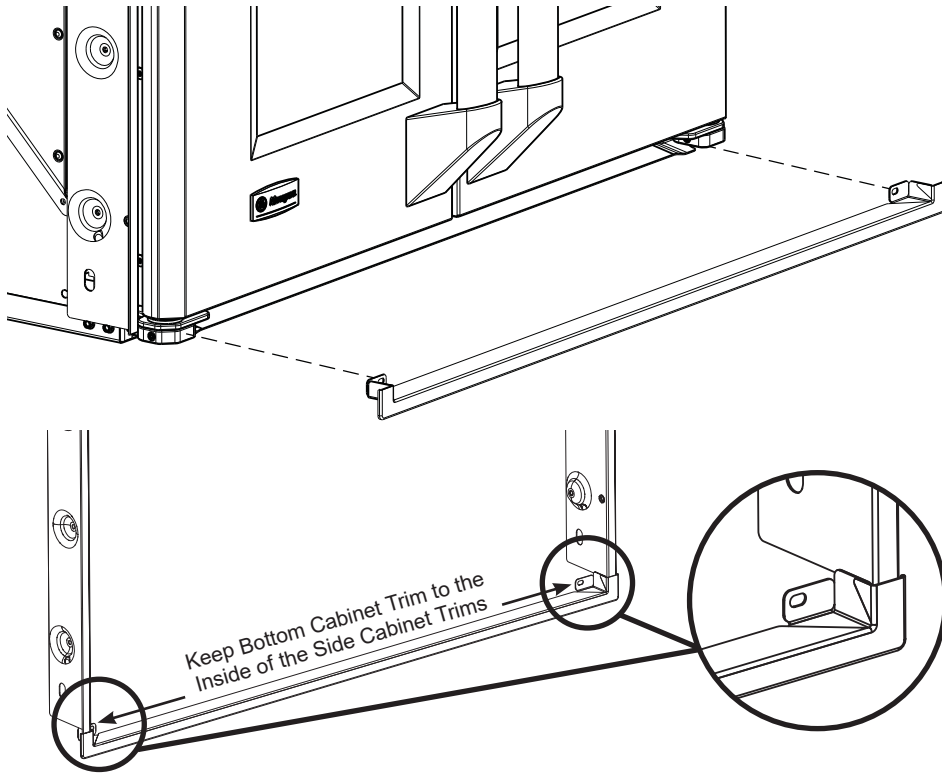
- Lift oven into cabinet cutout using the oven opening as a grip. Carefully push against oven front frame. Do not push against outside edges.



9 BOTTOM TRIM INSTALLATION

- Slide oven out by 2" and attach the bottom trim through its mounting holes in front vertical brace using two trim screws provided. Bottom trim lip must be placed under flange of bottom air duct.

SWO's installation



Exercise caution while sliding the unit back in after bottom trim installation. Installer needs to ensure that the trim does not catch the edge of the cabinet and bend. Furthermore, the installer needs to ensure that the cabinet itself is not damaged while the unit is slid back into position.

⚠ WARNING

Do not slide oven out more than noted dimension, the unit can tip over and fall causing serious injury & damage.

10 MOUNT THE OVEN

⚠ WARNING

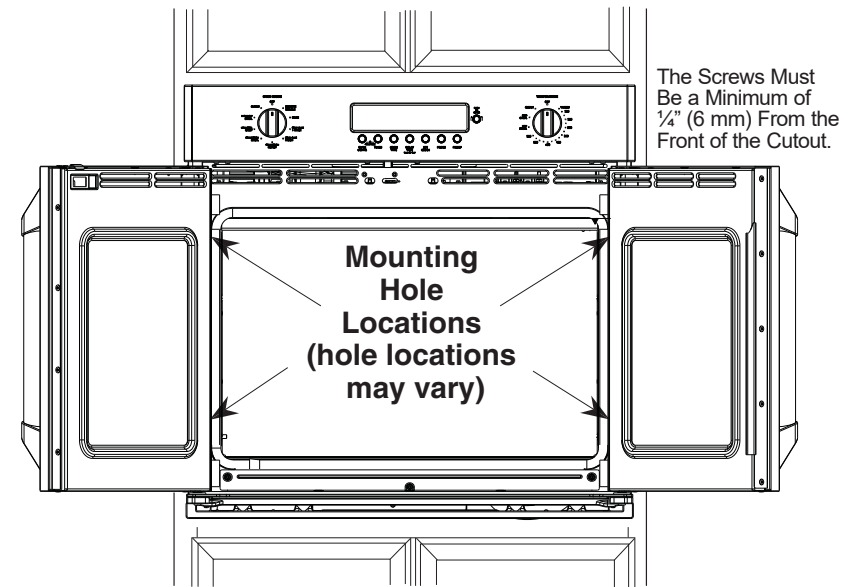
Mounting screws must be used. Failure to do so could result in the oven falling out of the cabinet, causing serious injury.

NOTE: During oven mounting step, ensure that no damage is done to oven gasket which lines the edge of oven cavity.

NOTE: Before drilling the pilot holes, make sure the oven is pushed as far back into the opening as it will go and is centered.

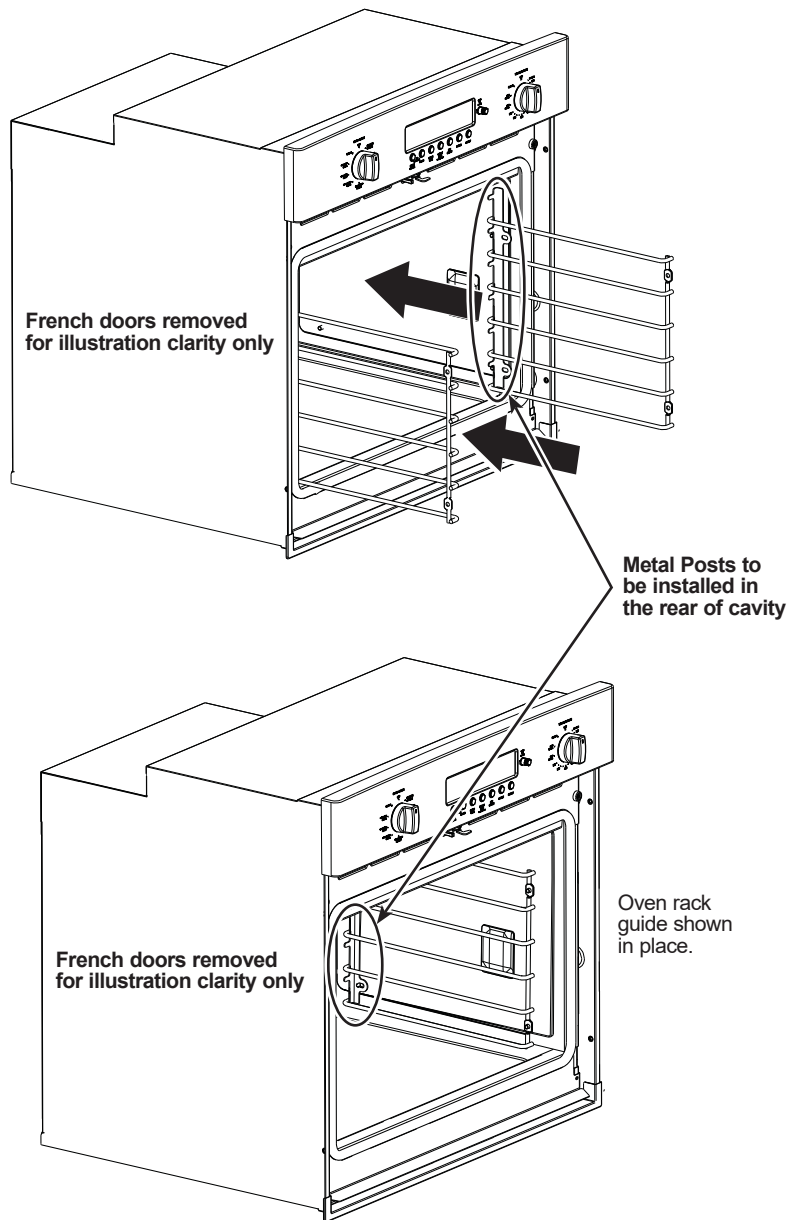
NOTE: If the cabinet is particle board, you must use #8 x 3/4" particle board screws. These may be purchased at any hardware store.

- Drill through the mounting holes (top and bottom) of the side trim for the #8 mounting screws provided.
- Secure the oven cabinet with the screws provided.



11 OVEN RACK GUIDE INSTALLATION

- Locate included oven rack guide mounting hardware.
- Place oven rack guides on cavity wall studs with metal posts towards back of cavity as shown.
- Install guides using the 8 provided mounting nuts.



Some models have custom handles. Please follow the instructions with the handles for proper installation.

12 DOOR ADJUSTMENT MECHANISM

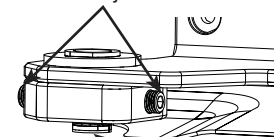
Door Adjustment Mechanism is located on both the right and left doors at the bottom hinges. Only the left side Adjustment Mechanism is shown in this manual.

NOTE: Adjust the doors inward only until the center gap is even. Over-adjusting can damage the center seals and make the doors more difficult to open.

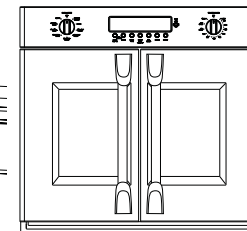
A. Using 3/16" hex key, tighten Vertical Adjustment Screw to adjust door up and loosen to adjust door down.

B. Horizontal Adjustment Screws pivot the door about an axis. Using a 1/8" Hex Key, loosen both screws, then tighten appropriate screw to pivot door. Once door is in place, verify both screws are tightened.

Horizontal Adjustment Screws

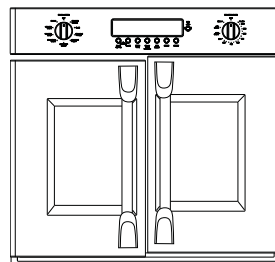


Vertical Adjustment Screw



EXAGGERATED EXAMPLES FOR LEFT DOOR ADJUSTMENT

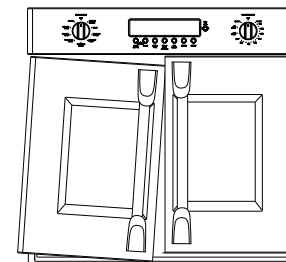
Example 1: Left door low, center gap even.



Steps for adjustment:

- Tighten left Vertical Adjustment Screw.
- If left door is still low, loosen right Vertical Adjustment Screw.

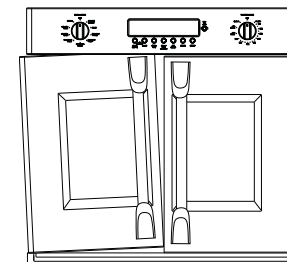
Example 2: Left door low, center gap larger at bottom.



Steps for adjustment:

- Loosen inside Horizontal Adjustment Screw.
- Tighten outside Horizontal Adjustment Screw until center gap even.
- If left door is still low, tighten left Vertical Adjustment Screw.
- Tighten inside Horizontal Adjustment Screw.

Example 3: Left door high, center gap larger at top.



Steps for adjustment:

- Loosen outside Horizontal Adjustment Screw.
- Tighten Outside Horizontal Adjustment Screw until center gap even.
- If left door is still low, tighten Left Vertical Adjustment Screw.
- Tighten Inside Horizontal Adjustment Screw.

13 FINAL INSTALLATION CHECKLIST

- Check to make sure the circuit breaker is closed (RESET) or the circuit fuses are replaced.
- Be sure power is in service to the building.
- Check that all packing material and tape have been removed. Failure to remove these materials could result in damage to the appliance once the appliance has been turned on and surfaces have heated.
- Remove all items from inside the oven.
- Check to be sure that the mounting screws are installed and flush with the side trim (see Section 10).
- Check that the bottom trim is installed properly (see Bottom Trim Installation).
- Ensure that air duct opening at bottom of unit is free of obstructions.
- Check that oven rack guides (if applicable) are installed correctly and oven racks function smoothly.
- If applicable - install handles following handle installation instructions and check that both ends are secured.

OPERATION CHECKLIST

- Turn on the power to the oven (refer to your Owner's Manual). Verify that the bake and broil units and all cooking functions operate properly.
- See your Owner's Manual for the troubleshooting list.
- Be sure all of the oven controls are OFF before leaving the oven.
- Open the door completely and ensure that there is sufficient clearance to surrounding cabinets and counter tops.

Instrucciones de instalación

Hornos de Pared con Puerta Francesa de 30" Incorporada

¿Preguntas? Comuníquese con nosotros al 1.800.432.273 o visita GEAppliances.com.

En Canadá, llame 1.800.561.3344 o visita GEAppliances.ca.

ANTES DE COMENZAR

Lea estas instrucciones por completo y con detenimiento.

- **IMPORTANTE** – Guarde estas instrucciones para el uso de inspectores locales.
- **IMPORTANTE** – Cumpla con todos los códigos y ordenanzas vigentes.
- **Nota al instalador** – Asegúrese de dejar estas instrucciones con el Consumidor.

- **Nota al consumidor** – Conserve estas instrucciones para referencia futura.
- **Nivel de destreza** – La instalación de este aparato requiere un instalador o electricista calificados.
- El instalador tiene la responsabilidad de efectuar una instalación adecuada.
- La garantía no cubre las fallas del producto provocadas por una instalación incorrecta.
- Este producto sólo se debe usar en áreas interiores.

ATENCIÓN INSTALADOR: Todos los hornos de pared eléctricos deben contar con cableado de conexión permanente (cableado directo) dentro de una caja de conexiones aprobada. En estos productos NO se permite la conexión del tipo "enchufe y receptáculo".

PARA SU SEGURIDAD:

⚠ ADVERTENCIA

Antes de comenzar la instalación, desconecte la energía del panel de servicio y bloquee los medios de desconexión para evitar el accionamiento de la energía de manera accidental. Cuando los medios de desconexión de servicio no pueden bloquearse, coloque sobre el panel de servicio un dispositivo de advertencia bien visible, como una etiqueta.

El horno debe instalarse bien en un gabinete que se encuentre firmemente sujeto a la estructura de la casa. Si se coloca peso sobre la puerta del horno, éste puede volcarse y provocar lesiones. Nunca permita que nadie se suba, siente, pare o cuelgue de la puerta del horno.

Verifique que el revestimiento de las paredes, mostradores y gabinetes ubicados alrededor del horno puedan soportar el calor (hasta 200°F [93,3°C]) generado por el horno.

MATERIALES QUE PUEDE NECESITAR

Caja de conexiones

Tapones de alambre

Abrazadera de alivio de tensión para conducto de 1/2"

HERRAMIENTAS NECESARIAS

Broca de perforadora de 1/8" y perforadora eléctrica o de mano

Llave hexagonal de 3/16"

Llave hexagonal de 1/8"

Destornillador de estrella

Alicates pelacables

1 QUITE LOS MATERIALES DE EMPAQUE

No quitar los materiales de empaque puede provocar daños al electrodoméstico. Quite todas las partes de empaque del horno, bandejas y elementos de calentamiento. Quite la película protectora y las etiquetas de la puerta exterior y panel de control. También, quite los elementos plásticos de los rebordes y panel, toda la cinta que cubre el horno y los tornillos de envío que fijan el horno a la almohadilla base. Abra la puerta del horno y quite el material informativo y las bandejas del horno. Quite el reborde inferior de la parte superior del horno. Se colocará al final del proceso de instalación. El reborde se encuentra envuelto en forma separada y adherido en la parte superior de la unidad.

INFORMACIÓN DE DISE

INSTALACIONES DE HORNO SIMPLE CON PUERTA FRANCESA

El horno simple con Puerta Francesa puede ser instalado en un gabinete aparte o sobre un cajón para calentar y/o debajo de un Microondas/ Advantium. Sin embargo, el horno simple con Puerta Francesa no está permitido.

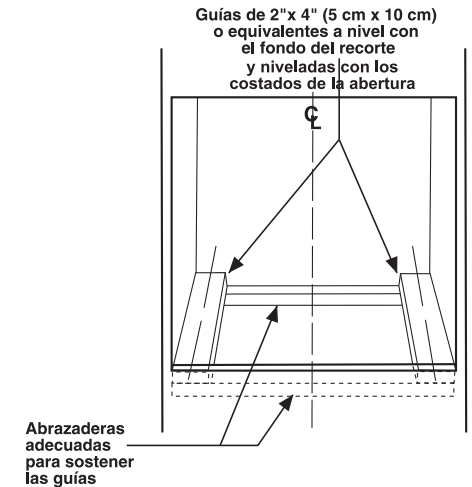
IMPORTANTE: Siempre consulte las instrucciones de instalaciones individuales enviadas con cada producto para requerimientos específicos.

2 PREPARE LA ABERTURA

NOTA: Si el gabinete no cuenta con un fondo sólido, deben instalarse dos abrazaderas o guías para soportar el peso del horno. Para Hornos con Puerta Francesa, las guías o abrazaderas deben soportar 220 lbs (98.8 kgs).

NOTA: Si marcas, imperfecciones o la abertura resultaran visibles sobre el horno instalado, puede ser necesario agregar cuñas de madera bajo las guías y el reborde frontal hasta cubrir las marcas o la abertura.

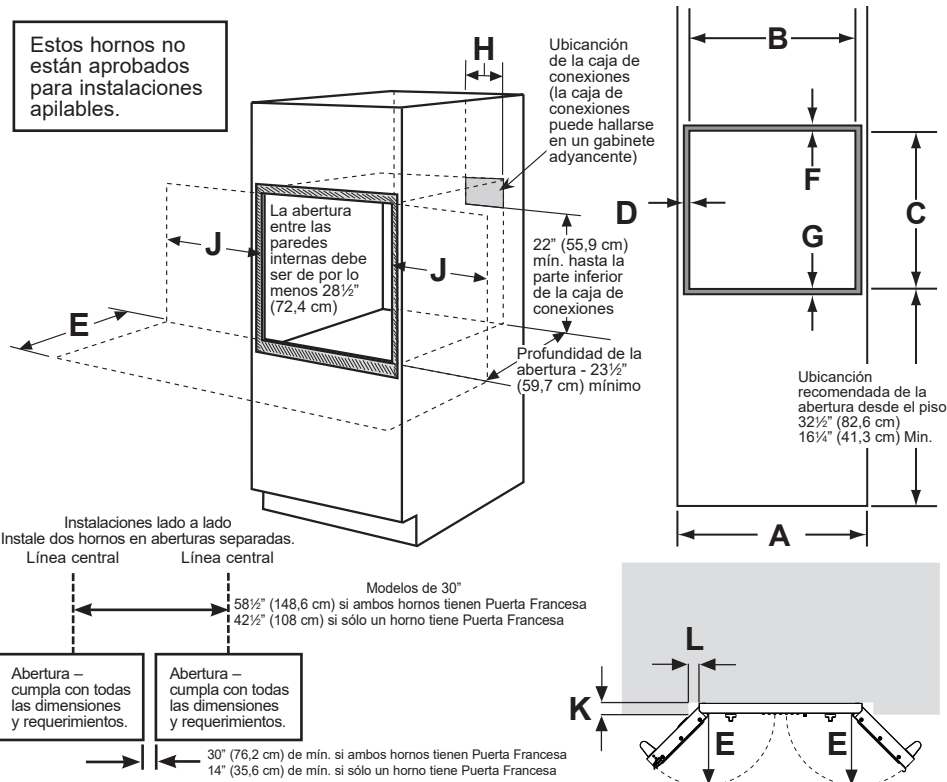
NOTA: Si el gabinete no cuenta con un armazón frontal y los lados son menores a un grosor de 3/4" (1,9 cm), coloque cuñas uniformemente sobre ambos lados para establecer al ancho de la abertura.



3 A ABERTURA PARA HORNOS ÚNICOS EN UN GABINETE DE PARED

NOTA: Si el gabinete no cuenta con un armazón frontal y los lados son menores a un grosor de 3/4" (1,9 cm), coloque cuñas uniformemente sobre ambos lados para establecer al ancho de la abertura.

Estos hornos no están aprobados para instalaciones apilables.



Dimensión	Descripción de la dimensión	Horno único de 30"
A	Ancho del gabinete	30" (76,2 cm)
B	Ancho de la abertura	28½" (72,4 cm) min. 28¾" (72,7 cm) max.
C	Altura de la abertura	27¼" (69,2 cm) min. 27⅞" (69,4 cm) max.
D	Espacio desde la abertura – extremos laterales*	1½" (1,75 cm)
E	Profundidad del giro de la puerta – Deje espacio adicional para la instalación y uso del horno	16¼" (41,3 cm) min.
F	Espacio desde la abertura – parte superior*	1" (2,5 cm) min. 1¼" (3,2 cm)
G	Espacio desde la abertura – parte inferior*	1¼" (3,2 cm)
H	Ubicación de la caja de conexiones	9½" (24,1 cm) max. sólo lado derecho
J	Ancho del giro de la puerta – Deje espacio adicional para la instalación y uso del horno	14" (35,6 cm) min.
K	Protuberancia de la mesada o de la puerta del gabinete (medida si existe)	Medida "K"
L	Brecha entre el extremo de la mesada o de la puerta del gabinete y la abertura del gabinete	Si K = 0, L = 0, de otra forma L = K + 1" (2,54 cm) min.

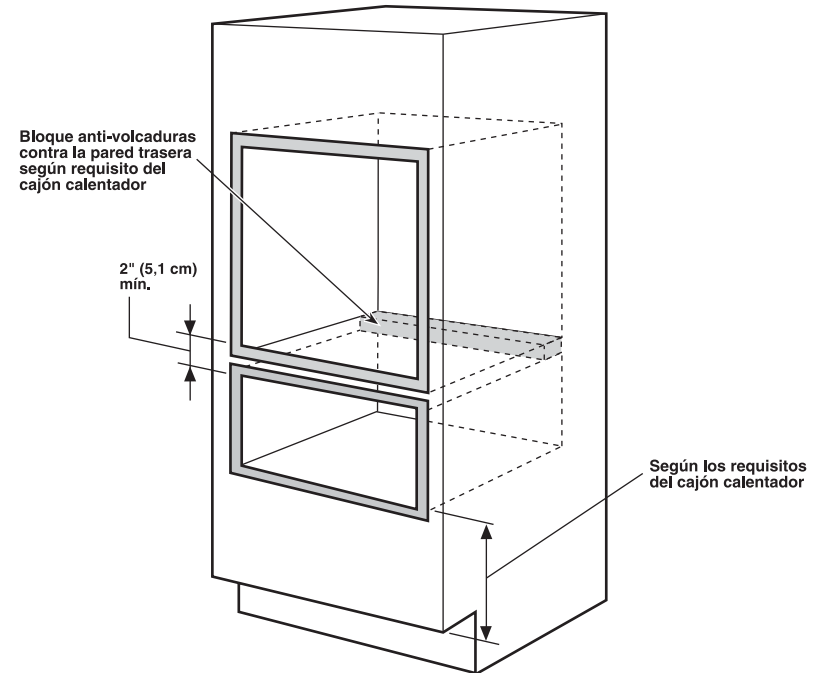
* Se refiere al espacio mínimo requerido para la instalación del horno de pared y no refleja las dimensiones reales del producto.

3 B ABERTURA PARA INSTALACIÓN SOBRE UN CAJÓN CALENTADOR

NOTA: Instale el horno sólo con los modelos específicos listados en la etiqueta ubicada en la parte superior del horno.

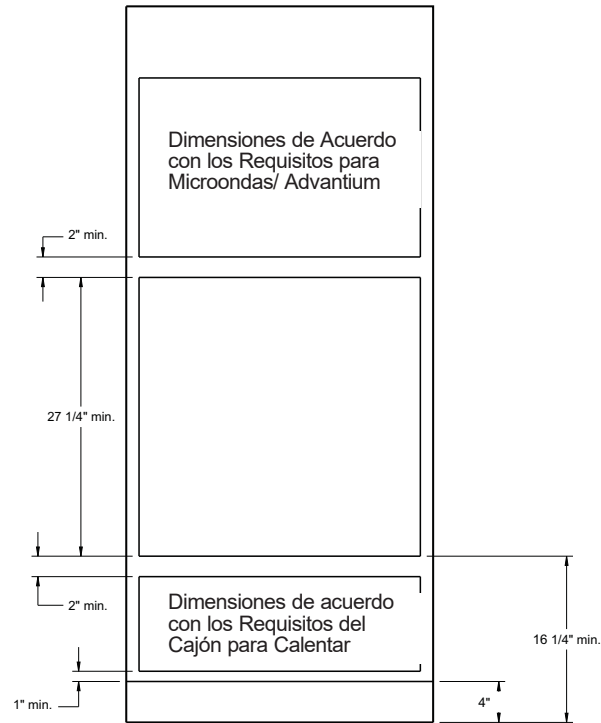
NOTA: Pueden necesitarse espacios adicionales entre las aberturas. Verifique que los soportes del horno sobre la ubicación de cajón calentador no obstruyan la profundidad y altura interiores requeridas.

Al instalar un Cajón para Calentar debajo de un horno doble, debe instalarse un tomacorriente separado de 120V, 60 HZ con adecuada conexión a tierra. Consulte las instrucciones de instalación enviadas con el cajón calentador para requisitos específicos de instalación.



3 C ENCASTRE PARA PUERTA FRANCESA BAJO UN MICROONDAS/ ADVANTIUM Y SOBRE UN CAJÓN PARA CALENTAR

- A. Coloque un riel con pedestal en cada rodadura del gabinete o centrado en el lado opuesto de la parte inferior del gabinete sólido nivelado con el lateral de la abertura del gabinete. Ubique cada riel de modo que la parte frontal de los mismos se encuentre detrás del lado frontal de la abertura del gabinete.
- B. Realice agujeros de prueba y adjunte los rieles a la rodadura o a la parte inferior del gabinete con el equipo provisto.



4 REQUISITOS ELÉCTRICOS

⚠ ADVERTENCIA

Este aparato debe contar con una adecuada conexión a tierra.

⚠ ADVERTENCIA

Para prevenir un incendio o descarga eléctrica, no utilice un cable de extensión con este aparato.

⚠ ADVERTENCIA

Para prevenir una descarga eléctrica, quite el fusible o abra el interruptor de circuitos antes de comenzar la instalación.

⚠ ADVERTENCIA

Una conexión inadecuada de cableado doméstico de aluminio con cables de cobre puede generar un peligro eléctrico o un incendio. Sólo use conectores diseñados para unir cobre con aluminio y siga al pie de la letra el procedimiento recomendado del fabricante.

Recomendamos que un electricista calificado conecte el cableado eléctrico de su aparato. Después de la instalación, solicite al electricista que le indique cómo desconectar la energía del aparato.

Usted debe usar un sistema eléctrico de fase única de 120/208 VAC o 120/240 VAC de 60 hercios. Si tiene una conexión con cableado de aluminio, deben utilizarse conectores adecuadamente instalados para utilizar con cableado de aluminio.

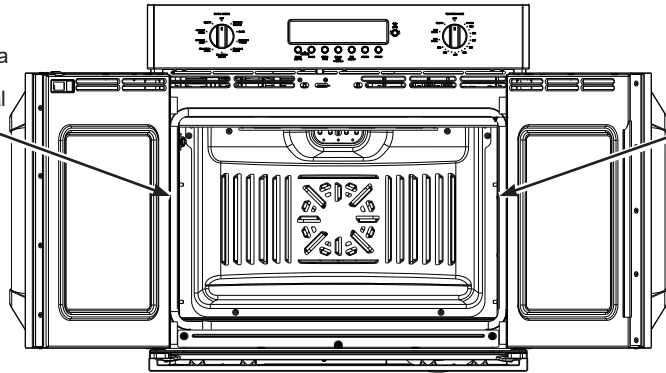
Vigente desde el 1 de enero de 1996, el Código Eléctrico Nacional requiere que las nuevas construcciones (no existentes) utilicen una conexión de cuatro conductores a un horno eléctrico. Cuando instale un horno eléctrico en una construcción nueva, una casa rodante, un vehículo recreativo o un área donde los códigos locales prohíben la conexión a tierra a través de un conductor neutral, consulte la sección sobre conexiones en circuito derivado de cuatro conductores.

Consulte a las empresas de servicio público sobre los códigos eléctricos que se aplican en su área. No realizar el cableado de su horno de acuerdo con los códigos vigentes puede provocar una situación peligrosa. Si no existen códigos locales, el cableado y fusibles de su horno deben cumplir con el Código Eléctrico Nacional, NFPA N° 70, última edición, disponible en National Fire Protection Association (Asociación Nacional de Protección contra Incendios).

4 REQUISITOS ELÉCTRICOS (CONT.)

Este aparato debe recibir el voltaje y frecuencia adecuados, y debe conectarse a un circuito derivado individual con adecuada conexión a tierra, protegido por un interruptor de circuitos o fusible. Ver la placa de clasificación ubicada en el armazón del horno para determinar la clasificación del producto.

La placa de calificación está ubicada sobre el borde lateral izquierdo



La Información del Electrodoméstico Conectado está ubicada sobre el reborde lateral derecho

Utilice la tabla de abajo para determinar la protección de circuito dedicado mínima recomendada:

Clasificación de KW 240V	Clasificación de KW 208V	Tamaño de circuito recomendado (dedicado)
≤4.8 KW	≤4.1 KW	20 Amp
4.9 KW–7.2 KW	4.2 KW–6.2 KW	30 Amp
7.3 KW–9.6 KW	6.3 KW–8.3 KW	40 Amp
9.7 KW–12.0 KW	8.4 KW–10.4 KW	50 Amp

NO acorte el conducto flexible. La abrazadera del alivio de tensión del conducto debe estar bien sujeta a la caja de conexiones y el conducto flexible debe estar bien sujeto a la abrazadera. Si el conducto flexible no entra dentro de la abrazadera, no instale el horno hasta obtener una abrazadera del tamaño adecuado.

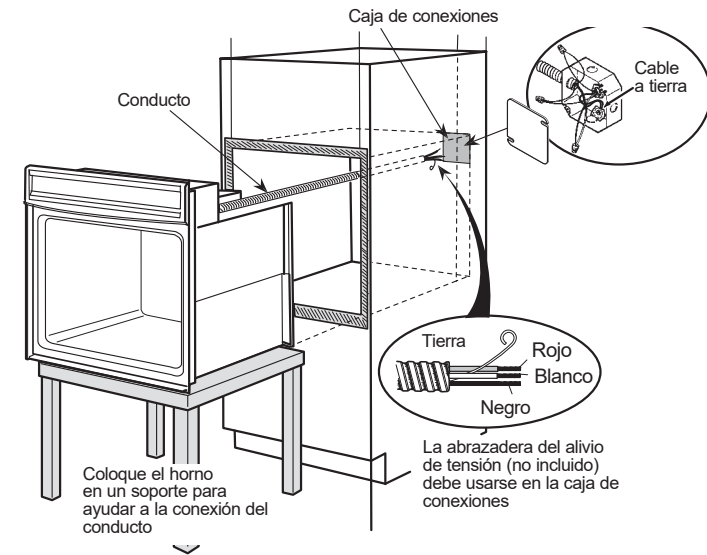
Los 3 cables de energía suministrados con este aparato son adecuados para conexiones con cableados domésticos de calibre mayores. La aislación de estos 3 cables está clasificada a temperaturas mucho más elevadas que la clasificación del cableado doméstico. La capacidad de transmitir corriente del conductor está determinada por el calibre del cable y la clasificación de temperatura de la aislación alrededor del cable.

5 REALICE LAS CONEXIONES ELÉCTRICAS

⚠ ADVERTENCIA

Desconecte la energía del panel de servicio y bloquee los medios de desconexión para evitar el accionamiento de la energía de manera accidental. Cuando los medios de desconexión de servicio no pueden bloquearse, coloque sobre el panel de servicio un dispositivo de advertencia bien visible, como una etiqueta.

Coloque el horno sobre una mesa o plataforma en forma nivelada con la abertura. En un horno con Puerta Francesa, la plataforma debe soportar 220 lbs. (98,8 kg). Conecte el conducto flexible a la caja de conexiones eléctrica como se indica abajo*. Posicione el conducto de modo tal que se apoye detrás de la unidad en un círculo natural cuando el horno sea instalado. Tendrá que comprar una abrazadera para alivio de tensión apropiada para completar la conexión de conducto a la caja de conexiones.



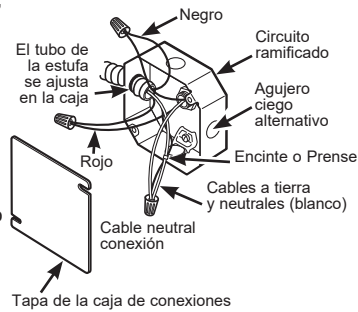
*Los hornos vienen equipados con un conducto de 40" de longitud. Si desea un conducto más largo, puede haber uno disponible para su modelo. Para verificar la disponibilidad o solicitar piezas, llame a GE Appliances al 800.GE.CARES (800.432.2737).

6 CONEXIÓN DE CIRCUITO DERIVADO DE TRES CONDUCTORES

NOTA: Si los cables del hogar poseen conductores de aluminio, ver la ADVERTENCIA de la sección 3, Requisitos eléctricos.

Cuando conecte un circuito derivado de tres conductores, si lo permiten los códigos locales:

- Conecte el conductor de conexión a tierra junto con el cable neutro (blanco) al neutro del circuito de empalmes (de color blanco o gris), usando una tuerca para cables.
- Conecte el cable rojo del horno al cable rojo del circuito derivado y el cable negro del horno al cable negro del circuito derivado de acuerdo con los códigos locales, utilizando tapones de alambre.
- Instale una abrazadera adecuada de alivio de tensión.
- Instale la tapa de la caja de conexiones.

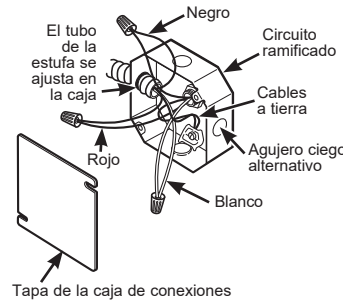


7 CONEXIÓN DE CIRCUITO DERIVADO DE CUATRO CONDUCTORES

NOTA: Si los cables domésticos o de conexión a tierra son conductores de aluminio, ver la ADVERTENCIA de la sección 3, Requisitos eléctricos.

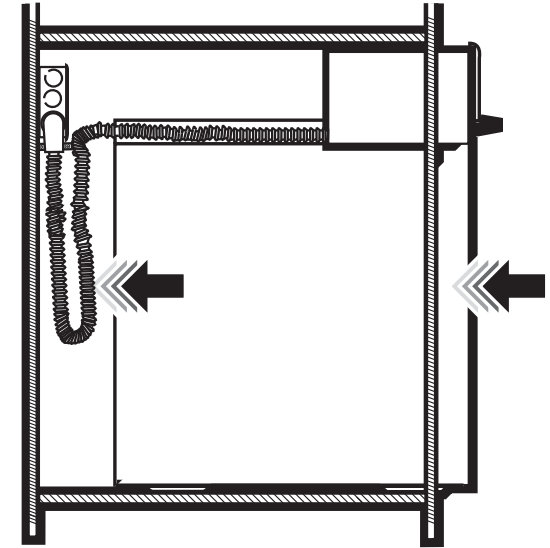
Cuando conecte un circuito derivado de cuatro conductores, si lo permiten los códigos locales:

- Evite que el conductor neutro (blanco) quede enredado con cualquier otro cable. De ser necesario, corte el conductor neutro (blanco) y luego vuelva a pelar el mismo, a fin de exponer la longitud adecuada del conductor.
- Conecte el cable a tierra del artefacto (verde o cobre) de acuerdo con los códigos locales.
- Conecte el cable neutro (blanco) del horno con el neutro de circuito derivado (blanco o gris) de acuerdo con códigos locales, utilizando un tapón de alambre.
- Conecte el cable rojo del horno al cable rojo del circuito derivado y el cable negro del horno al cable negro del circuito derivado de acuerdo con los códigos locales, utilizando tapones de alambre.
- Instale una abrazadera adecuada de alivio de tensión.
- Instale la tapa de la caja de conexiones.



8 DESLICE EL HORNO DENTRO DE LA ABERTURA

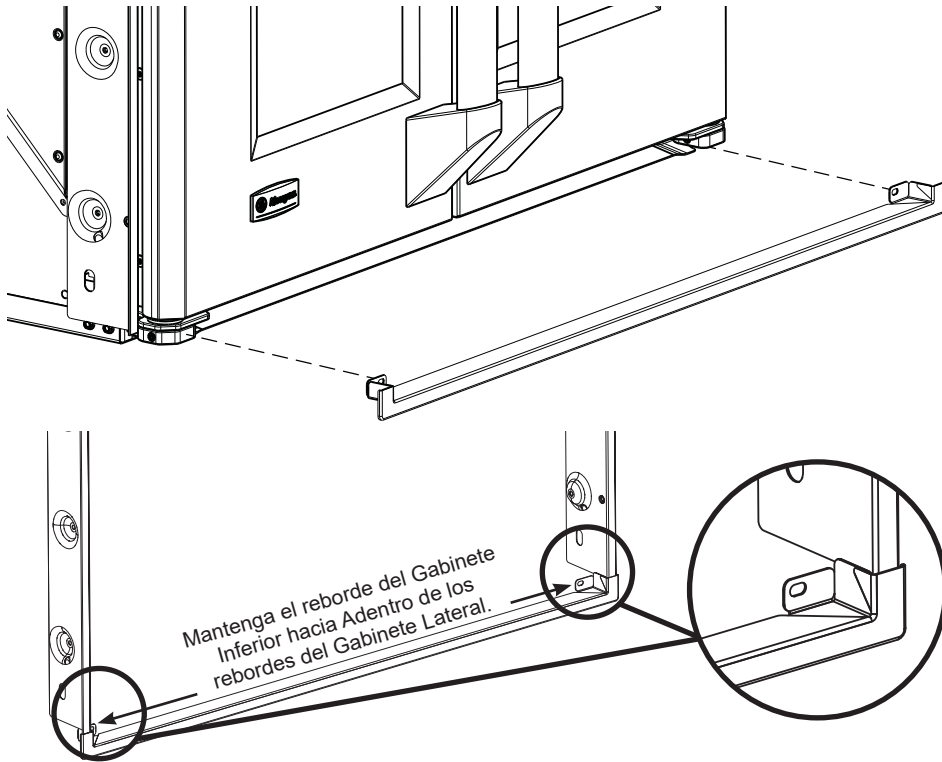
- Levante el horno dentro de la abertura del gabinete utilizando el horno abierto como agarre. Con cuidado empuje contra el armazón frontal del horno. No presione sobre los bordes externos.



9 INSTALACIÓN DEL REBORDE INFERIOR

- Una vez instalado el horno, adjunte el borde inferior a través de sus agujeros de montaje frente al soporte vertical, utilizando los dos tornillos con cabeza recortada provistos. El labio de la cubierta inferior deberá ser ubicado debajo de la brida de la parte inferior del conducto de aire.

Instalaciones SWO



Tenga cuidado al deslizar la unidad nuevamente hacia adentro, luego de la instalación en el reborde inferior. El instalador se debe asegurar de que el reborde no atrape el extremo del gabinete y se doble. Además, el instalador se debe asegurar de que el gabinete mismo no sea dañado mientras la unidad es deslizada nuevamente hasta su posición.

⚠ ADVERTENCIA

No deslice el horno hacia afuera más allá de la dimensión establecida; la unidad se podrá volcar y caer generando lesiones y daños graves.

10 INSTALE EL HORNO

⚠ ADVERTENCIA

Deben utilizarse tornillos de montaje. Si no lo hace, el horno puede caer del gabinete, lo que provocaría una lesión grave.

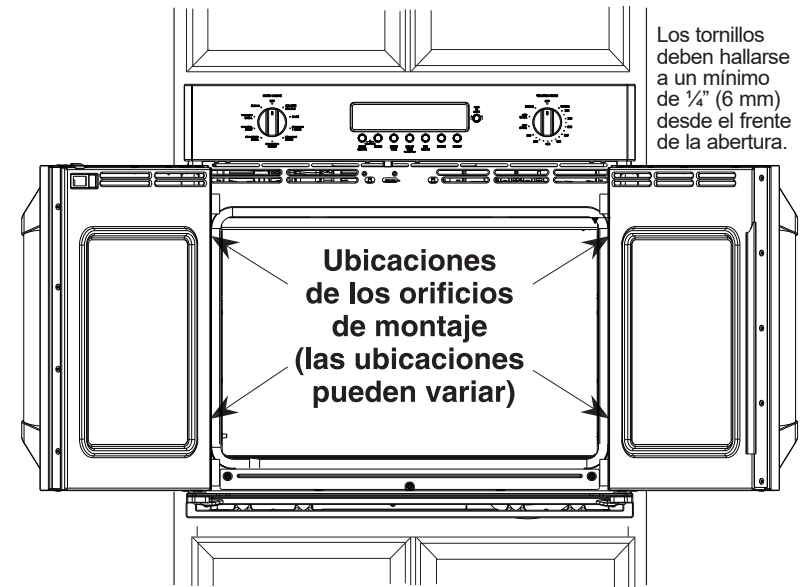
NOTA: Durante el montaje del horno, asegúrese de que no haya daños sobre la junta del horno, que alinea el extremo de la cavidad del horno.

NOTA: Antes de perforar los orificios piloto, asegúrese de que el horno se encuentre en la posición final de la abertura y centrado.

NOTA: Si el gabinete es de placa de partículas, deben utilizarse tornillos #8 x 3/4" para dicho material. Éstos pueden adquirirse en cualquier ferretería.

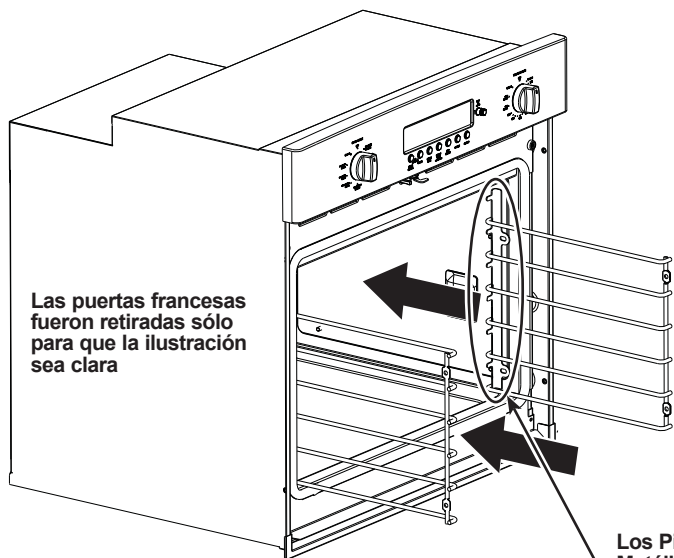
A. Perfore a través de los orificios de montaje (superiores e inferiores) del reborde lateral para los tornillos de montaje #8 provistos.

B. Asegure el gabinete del horno con los tornillos provistos.



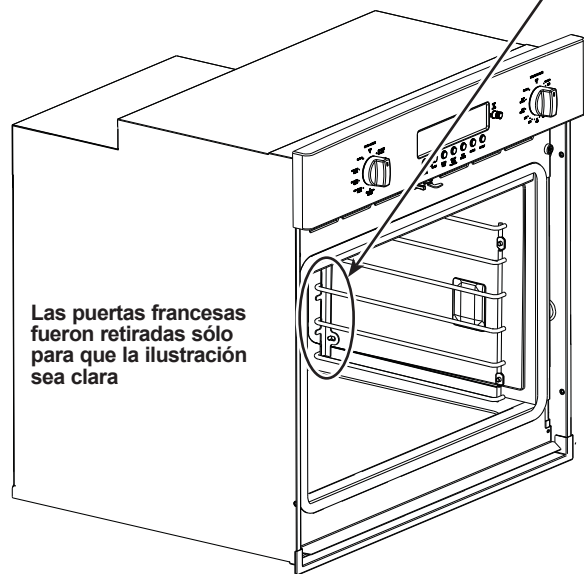
11 GUÍA DE INSTALACIÓN DE LA ESTANTERÍA DEL HORNO (SI CORRESPONDE)

- Ubique el equipo de montaje de la guía del horno incluida.
- Posicione el conducto de modo tal que se apoye detrás de la unidad en un círculo natural cuando el horno sea instalado.
- Instale las guías usando las 8 tuercas de montaje provistas.



Las puertas francesas fueron retiradas sólo para que la ilustración sea clara

Los Pivotes Metálicos se deben instalar en la parte trasera de la cavidad



Las puertas francesas fueron retiradas sólo para que la ilustración sea clara

La guía del estante del horno se muestra en su posición.

Algunos modelos cuentan con manijas a medida. Por favor, siga las instrucciones para una correcta instalación de las manijas.

12 MECANISMO DE AJUSTE DE LA PUERTA

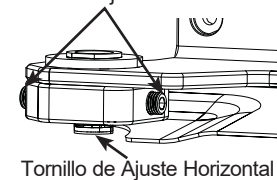
El Mecanismo de Ajuste de la Puerta se encuentra ubicado tanto en la puerta derecha como en la izquierda, en las bisagras inferiores. Sólo el lado izquierdo del Mecanismo de Ajuste es mostrado en este manual.

NOTA: Ajuste las puertas hacia adentro, sólo hasta que la brecha central esté pareja. Un ajuste excesivo puede dañar los cierres herméticos centrales y dificultar la apertura de las puertas.

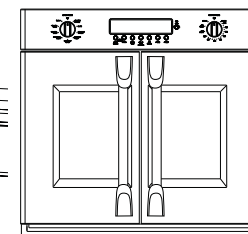
A. Utilizando una Llave Hexagonal de 3/16", ajuste el Tornillo de Ajuste Vertical, a fin de ajustar la puerta hacia arriba y ajustar la misma hacia abajo.

B. Los Tornillos de Ajuste Horizontal hacen que la puerta pivote en torno a un eje. Utilizando una Llave Hexagonal de 1/8", afloje ambos tornillos, y luego ajuste el tornillo adecuado para pivotar la puerta. Una vez que la puerta esté colocada, verifique que ambos tornillos estén ajustados.

Tornillos de Ajuste Horizontal

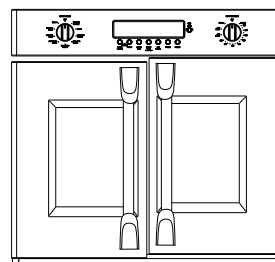


Tornillo de Ajuste Horizontal



EJEMPLOS EXAGERADOS DEL AJUSTE DE LA PUERTA IZQUIERDA

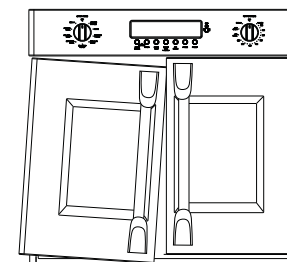
Ejemplo 1: Puerta izquierda baja, brecha central pareja.



Pasos para el ajuste:

- Ajuste el Tornillo de Ajuste Vertical.
- Si la puerta izquierda aún está baja, afloje el Tornillo de Ajuste Vertical derecho.

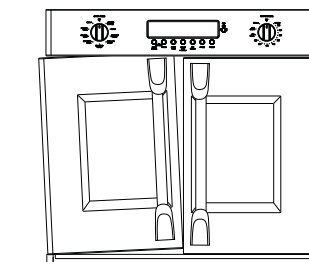
Ejemplo 2: Puerta izquierda baja, brecha central más grande en la parte inferior.



Pasos para el ajuste:

- Afloje la parte interna del Tornillo de Ajuste Horizontal.
- Ajuste el Tornillo de Ajuste Horizontal externo hasta que la brecha central esté pareja.
- Si la puerta izquierda aún está baja, ajuste el Tornillo de Ajuste Vertical izquierdo.
- Ajuste el Tornillo de Ajuste Horizontal interno.

Ejemplo 3: Puerta izquierda alta, brecha central más grande en la parte superior.



Pasos para el ajuste:

- Afloje el Tornillo de Ajuste Horizontal externo.
- Ajuste el Tornillo de Ajuste Horizontal externo hasta que la brecha central esté pareja.
- Si la puerta izquierda aún está baja, ajuste el Tornillo de Ajuste Vertical izquierdo.
- Ajuste el Tornillo de Ajuste Horizontal interno.

13 LISTA DE CONTROL FINAL DE LA INSTALACIÓN

- Verifique que el interruptor de circuitos se encuentre cerrado (RESET) o que los fusibles del circuito se hayan reemplazado.
- Asegúrese de que haya suministro eléctrico en el edificio.
- Controle que se haya quitado todo el material de empaque y la cinta adhesiva. No quitar estos materiales puede provocar daños al electrodoméstico una vez que el aparato se haya encendido y las superficies se hayan calentado.
- Quite todos los elementos ubicados dentro del horno.
- Asegúrese de que los tornillos de montaje se encuentren instalados y nivelados con el reborde lateral (ver sección 10).
- Verifique que el reborde inferior esté bien instalado (consulte sobre la Instalación del Reborde Inferior).
- Asegúrese de que la abertura inferior del conducto de aire de la unidad esté libre de obstrucciones.
- Controle que las guías de los estantes del horno (si corresponde) estén instaladas de forma correcta y que los estantes del horno funcionen de forma fluida.
- Si corresponde, instale las manijas siguiendo las instrucciones de instalación de las mismas y controle que ambos extremos se encuentren asegurados.

LISTA DE CONTROL DE FUNCIONAMIENTO

- Accione la energía del horno (consulte el Manual del propietario). Verifique que las unidades de horneado y asado y que todas las funciones de cocción operen bien.
- Ver el Manual del propietario para la lista de detección y solución de problemas.
- Asegúrese de que todos los controles del horno se encuentren en OFF (apagado) antes de dejar el horno.
- Abra la puerta completamente y asegúrese de que haya suficiente espacio alrededor de los gabinetes y las mesadas.