

**CT663B**

32.63" x 23.63" x 23.0" (H x W x D)

Freestanding counter height refrigerator-freezer for residential use, cycle defrost with deluxe interior and black finish

**Highlights:**

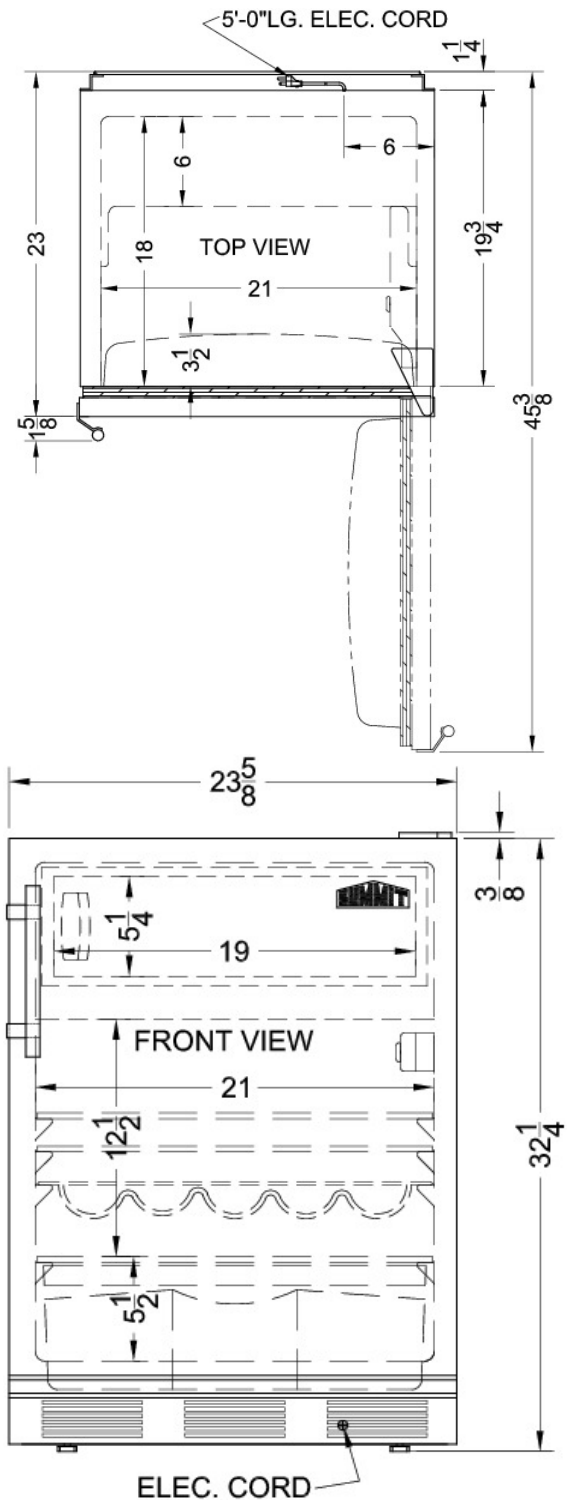
- Over 5 cu.ft. of storage capacity in a perfectly sized 24" footprint
- Deluxe interior with glass shelves, door storage, and a scalloped wine shelf
- Improved temperature performance with our unique dual evaporator cooling
- Zero degree freezer compartment



|                                |  |
|--------------------------------|--|
| Slim counter height dimensions | Ideal 24" footprint offers full 5.1 cu.ft. storage capacity in a slim fit  |
| Dual evaporator                | Our unique and efficient design separately cools the refrigerator while maintaining zero degrees in the freezer with two evaporators                       |
| Zero degree freezer            | Frozen food and ice cream stay safe and freezer burn-free in the low temperature freezer compartment   |
| Cycle defrost                  | This system utilizes user-friendly automatic defrost operation in the fresh food section and efficient manual defrost operation in the freezer compartment |
| Adjustable glass shelves       | Rearrange your refrigerator space to accommodate all shapes and sizes or remove shelves for a simple clean-up  |
| Door storage                   | Store tall bottles and condiments right on the door for convenient access  |
| Fruit and vegetable crisper    | Get the longest life and best taste out of produce by storing it in a convenient slide drawer  |
| Wine shelf                     | Removable scalloped wine shelf is included to store champagne and wine bottles   |
| Hidden evaporator              | Cold wall design with hidden evaporator creates a seamless, easy to clean interior   |
| Interior light                 | Automatically illuminates when you open the door   |

# CT663B Specifications:

|                            |                |
|----------------------------|----------------|
| Height                     | 32.63"         |
| Width                      | 23.63"         |
| Depth                      | 23.0"          |
| Capacity                   | 5.1 cu.ft.     |
| Ext Depth with Handle      | 24.63"         |
| Interior Height 1          | 18.0"          |
| Interior Width 1           | 21.0"          |
| Interior Depth 1           | 18.0"          |
| Interior Height 2          | 5.25"          |
| Interior Width 2           | 19.0"          |
| Interior Depth 2           | 11.5"          |
| Comp Step Height           | 5.5"           |
| Comp Step Width            | 21.0"          |
| Comp Step Depth            | 6.0"           |
| Shipping Weight            | 110.0 lbs.     |
| Weight                     | 100.0 lbs.     |
| Voltage/Frequency          | 115 V AC/60 Hz |
| Energy Usage/Year          | 365.0 kWh/year |
| Amps                       | 1.3            |
| US Electrical Safety       | UL             |
| Canadian Electrical Safety | ULC            |
| Reversible                 | Yes            |
| Door Swing                 | RHD            |
| Crisper Quantity           | 1              |
| Shelf Quantity             | 2              |
| Adjustable Shelf           | true           |
| Shelf Type                 | Glass          |
| Crisper Cover Type         | Glass          |
| Crisper Finish             | Transparent    |
| Full Door Shelf Quantity   | 3              |
| Wine Bottle Holder         | true           |
| Defrost Type               | Cycle          |
| Height to Hinge Cap        | 32.25"         |
| Depth with door at 90°     | 45.38"         |
| Light                      | true           |
| Thermostat Type            | Dial           |
| Level Legs Quantity        | 2              |
| Freon Oz                   | 2.33           |
| Low Side PSI               | 70.0           |
| Refrigerant Type           | R134a          |
| High Side PSI              | 285.0          |
| Parts/Labor Warranty       | 1 Year         |
| Compressor Warranty        | 5 Years        |



Summit Appliance Division, Felix Storch, Inc.  
 770 Garrison Ave • Bronx, NY 10474  
 Phone: 718-893-3900 • Fax: 718-842-3093  
 Email: info@summitappliance.com