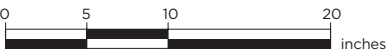
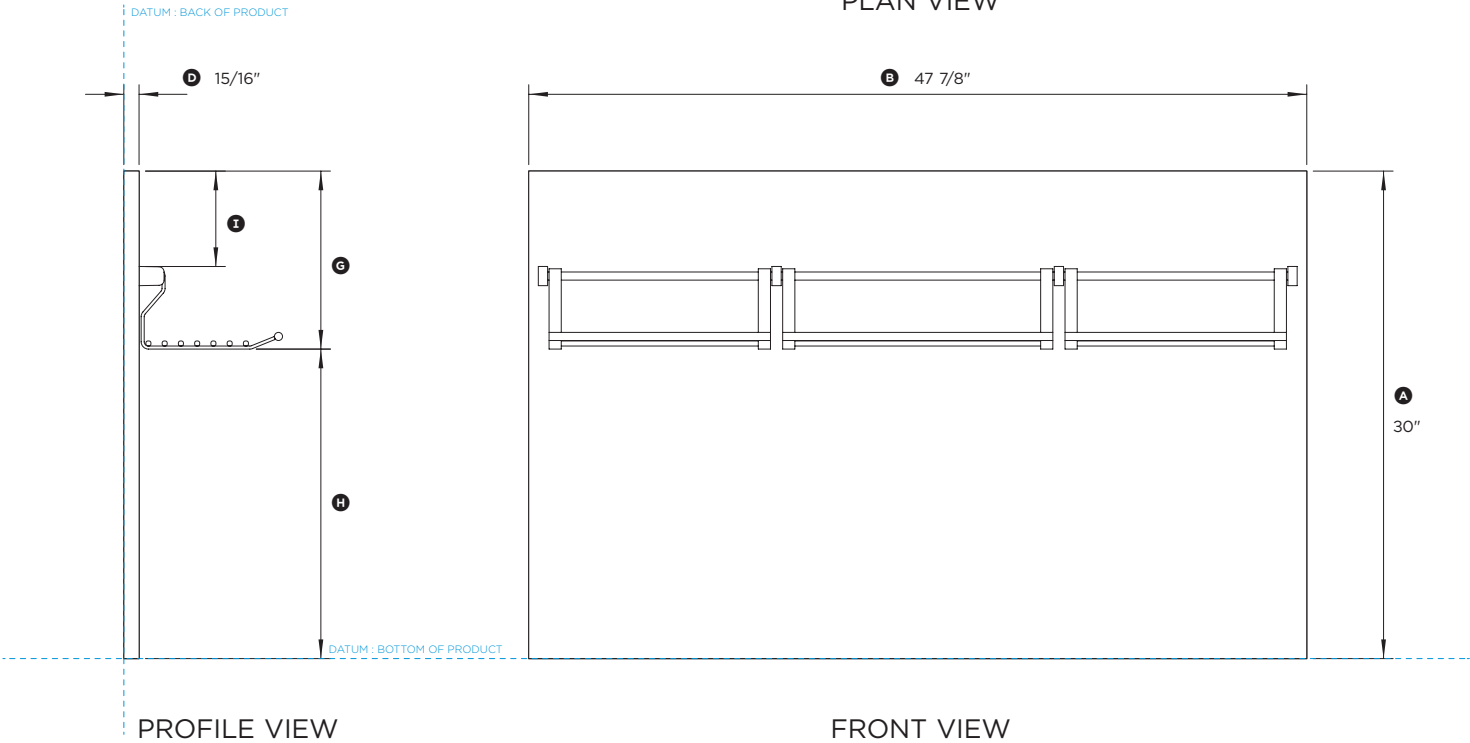
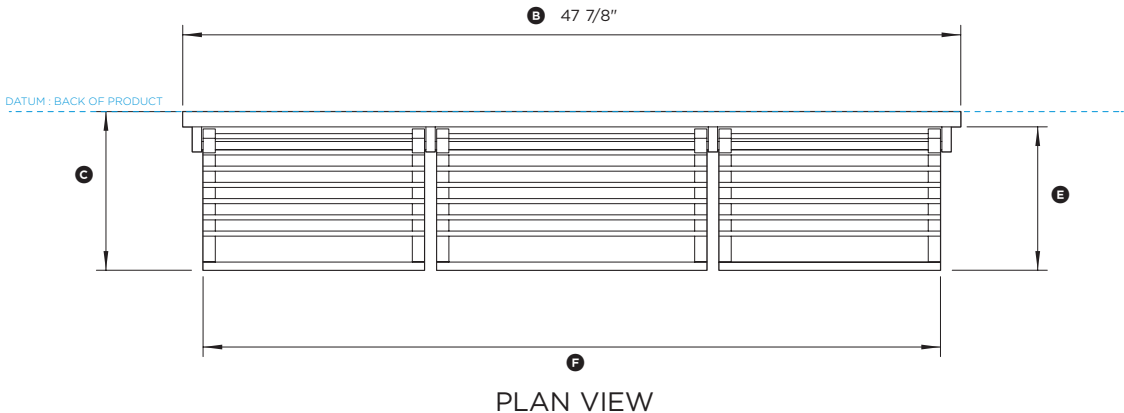
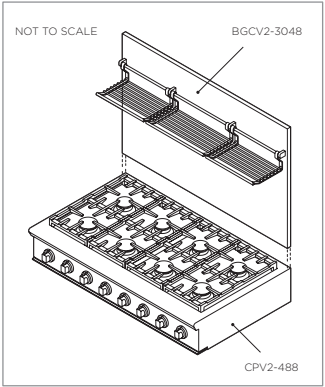


# FISHER & PAYKEL

## DATA SHEET 48" Professional Cooktop Backguard



Model no:  
**BGCV2-3048**  
(refer page 2 for metric measurements)

Product Dimensions	in
Ⓐ Overall height of backguard	30"
Ⓑ Overall width of backguard	47 7/8"
Ⓒ Overall depth of backguard and racks	9 3/4"
Ⓓ Depth of backguard	15/16"
Ⓔ Depth of racks	8 13/16"
Ⓕ Width of racks	45 3/8"
Ⓖ Distance from top of backguard to bottom of racks	10 15/16"
Ⓗ Distance from bottom of backguard to bottom of racks	19 1/16"
Ⓘ Distance from top of backguard to top of brackets	5 7/8"

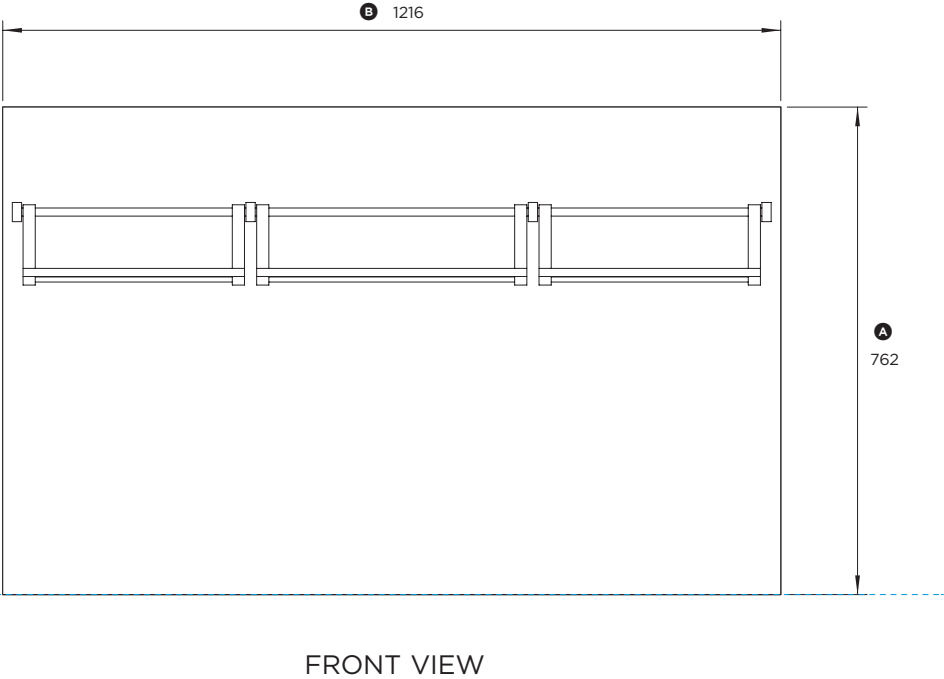
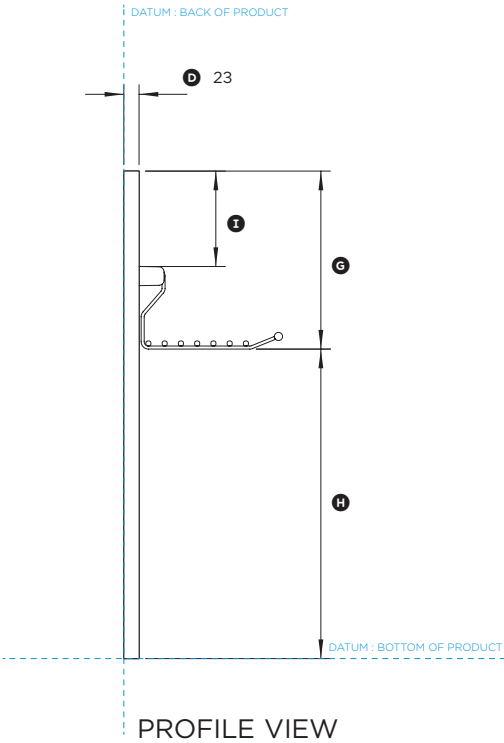
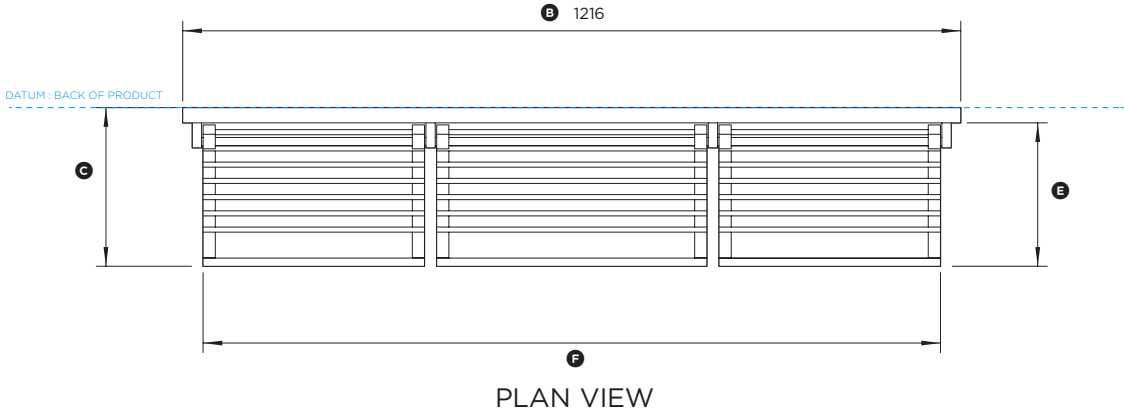
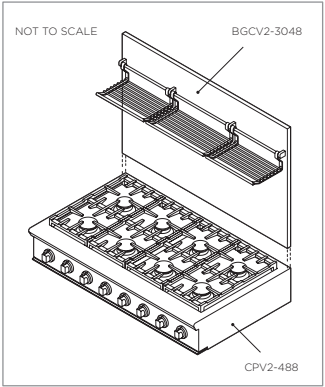
INDICATES PRODUCT DATUM -----

DATE: **24.04.2018**

IMPORTANT: Throughout this guide, dimensions may vary by ±2mm (1/16"). Read the installation guide for detailed information on installing the product. For full installation instructions and specifications visit [fisherpaykel.com](http://fisherpaykel.com)

# FISHER & PAYKEL

## DATA SHEET 48" Professional Cooktop Backguard



Model no:  
**BGCV2-3048**  
(refer page 1 for imperial measurements)

Product Dimensions	mm
Ⓐ Overall height of backguard	762
Ⓑ Overall width of backguard	1216
Ⓒ Overall depth of backguard and racks	248
Ⓓ Depth of backguard	23
Ⓔ Depth of racks	224
Ⓕ Width of racks	1153
Ⓖ Distance from top of backguard to bottom of racks	278
Ⓜ Distance from bottom of backguard to bottom of racks	484
Ⓣ Distance from top of backguard to top of brackets	150



INDICATES PRODUCT DATUM -----

DATE: **24.04.2018**

IMPORTANT: Throughout this guide, dimensions may vary by ±2mm (1/16"). Read the installation guide for detailed information on installing the product. For full installation instructions and specifications visit [fisherpaykel.com](http://fisherpaykel.com)