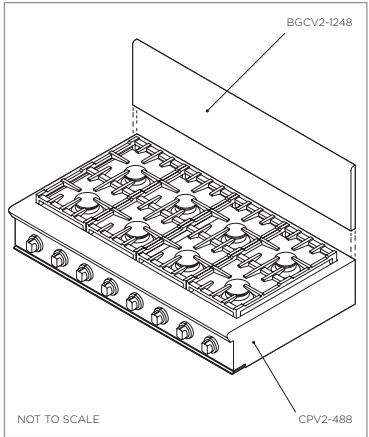


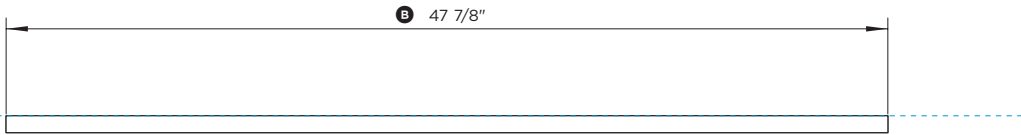
FISHER & PAYKEL

DATA SHEET 48" Professional Cooktop Backguard

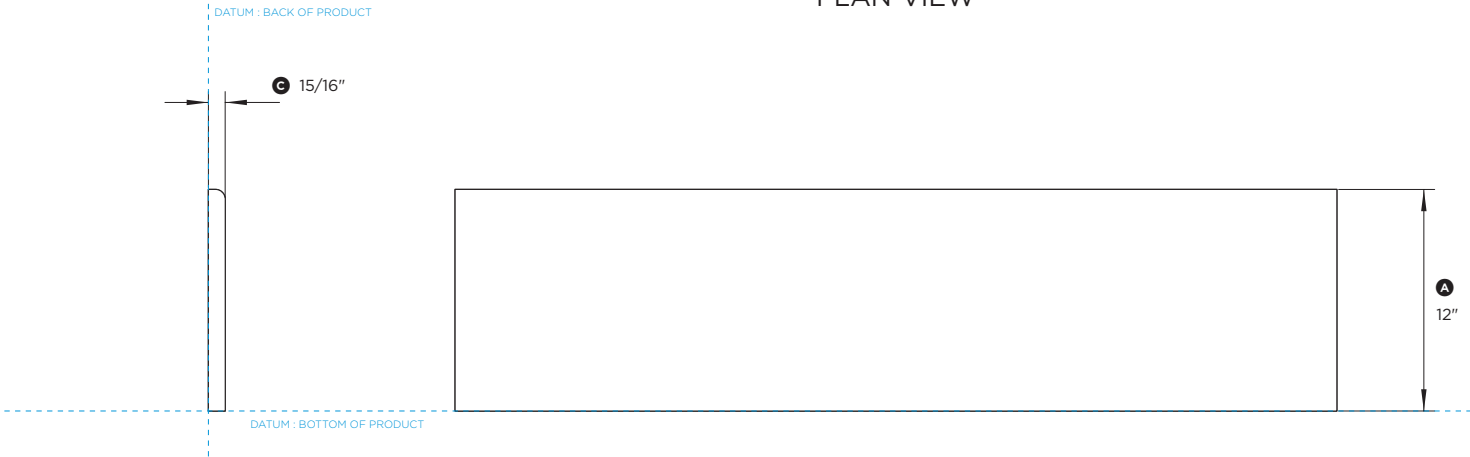


Model no:
BGCV2-1248
(refer page 2 for metric measurements)

Product Dimensions	in
Ⓐ Overall height of backguard	12"
Ⓑ Overall width of backguard	47 7/8"
Ⓒ Overall depth of backguard	15/16"

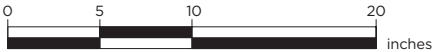


PLAN VIEW



PROFILE VIEW

FRONT VIEW



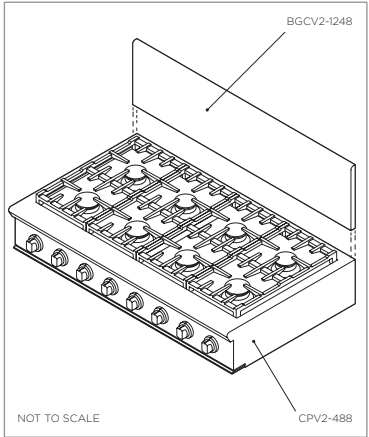
INDICATES PRODUCT DATUM -----

DATE: **24.04.2018**

IMPORTANT: Throughout this guide, dimensions may vary by ±2mm (1/16"). Read the installation guide for detailed information on installing the product. For full installation instructions and specifications visit fisherpaykel.com

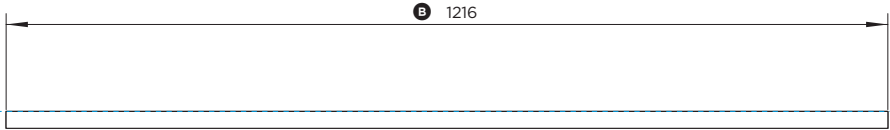
FISHER & PAYKEL

DATA SHEET 48" Professional Cooktop Backguard

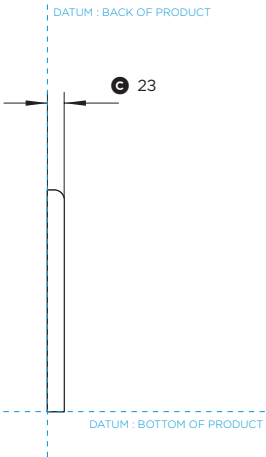


Model no:
BGCV2-1248
(refer page 1 for imperial measurements)

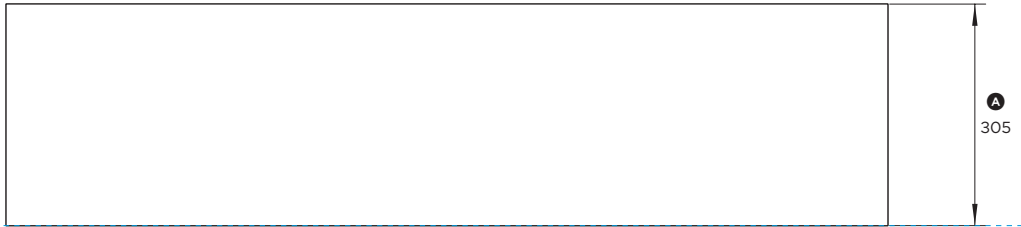
Product Dimensions	mm
Ⓐ Overall height of backguard	305
Ⓑ Overall width of backguard	1216
Ⓒ Overall depth of backguard	23



PLAN VIEW



PROFILE VIEW



FRONT VIEW



INDICATES PRODUCT DATUM -----

DATE: **24.04.2018**

IMPORTANT: Throughout this guide, dimensions may vary by $\pm 2\text{mm}$ (1/16"). Read the installation guide for detailed information on installing the product. For full installation instructions and specifications visit fisherpaykel.com