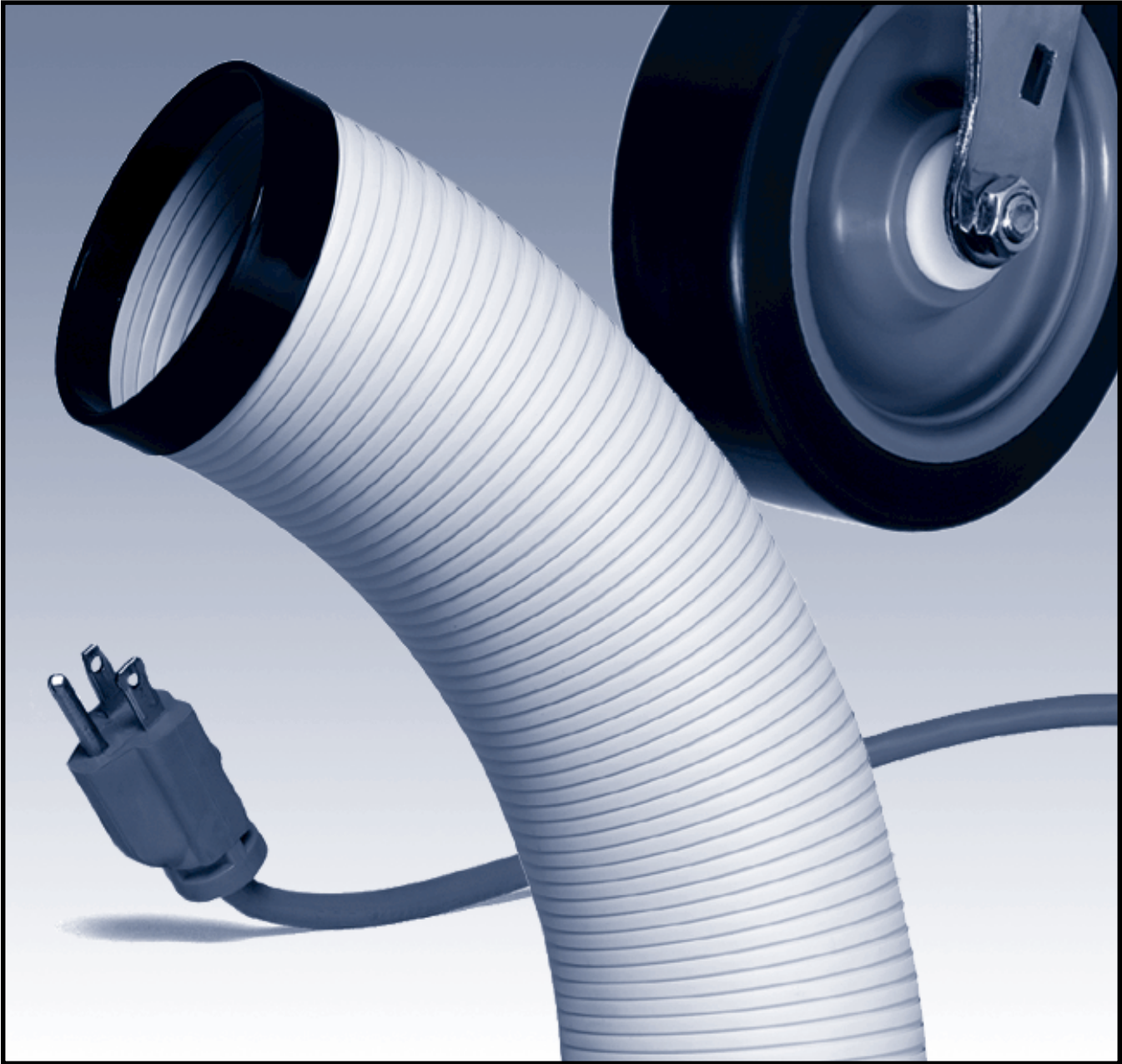


SPARE PARTS **CATALOG**

CLASSIC PLUS 26



DENSO SALES CALIFORNIA, INC.
REGISTERED TO ISO 9002
FILE NO. A5537

MOVINCOOL[®]
Pioneering New Solutions With Portable Air-Conditioning

© 2000 DENSO SALES CALIFORNIA, INC.

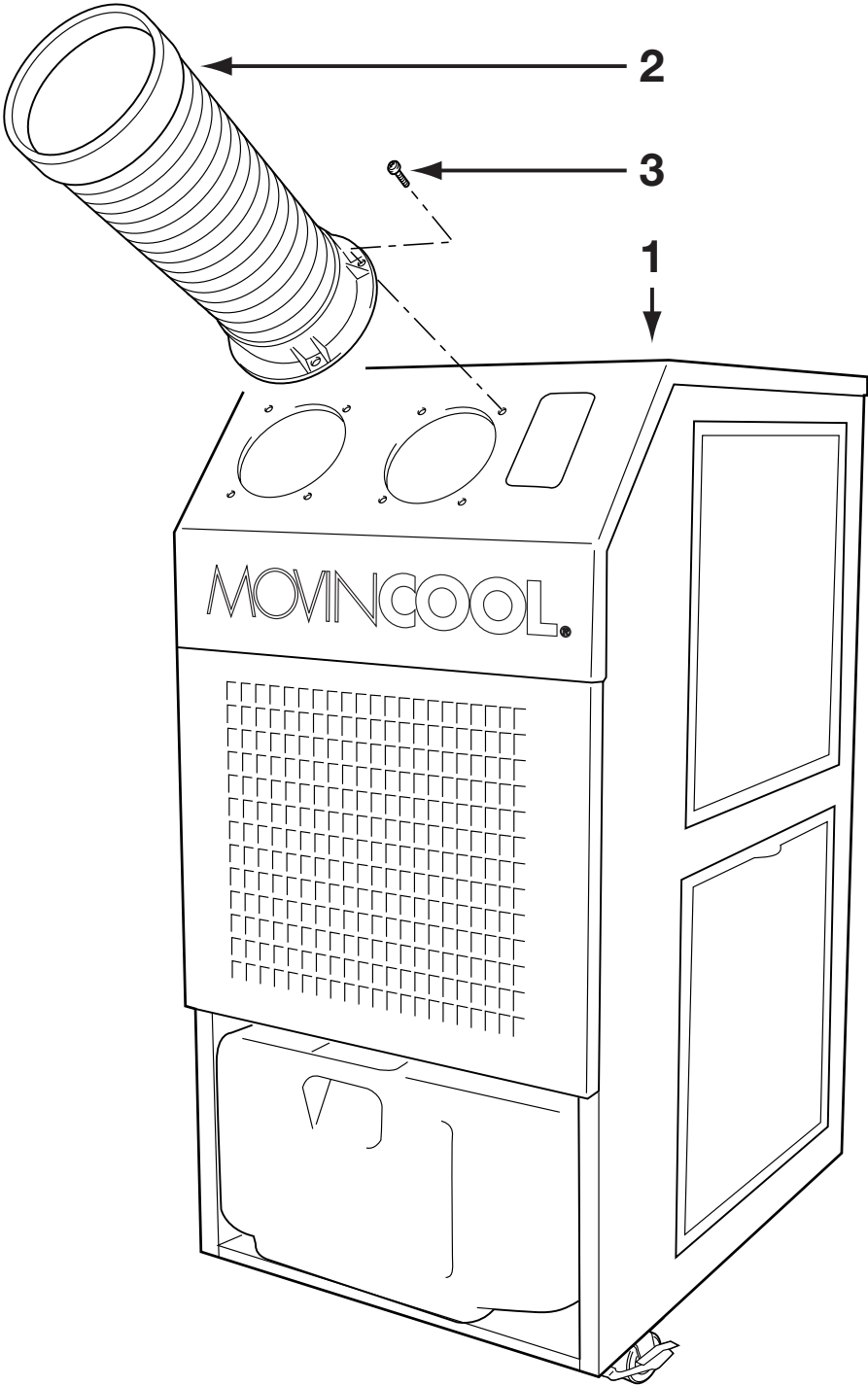
All rights reserved. This book may not be reproduced or copied, in whole or in part, without the written permission of the publisher. DENSO SALES CALIFORNIA, INC. reserves the right to make changes without prior notice. MovinCool is a registered trademark of DENSO SALES CALIFORNIA, INC.

CLASSIC PLUS 26



This spare parts catalog consists of simple illustrations with part numbers called out for all available parts to this product. Some part numbers described are available by assembly only.

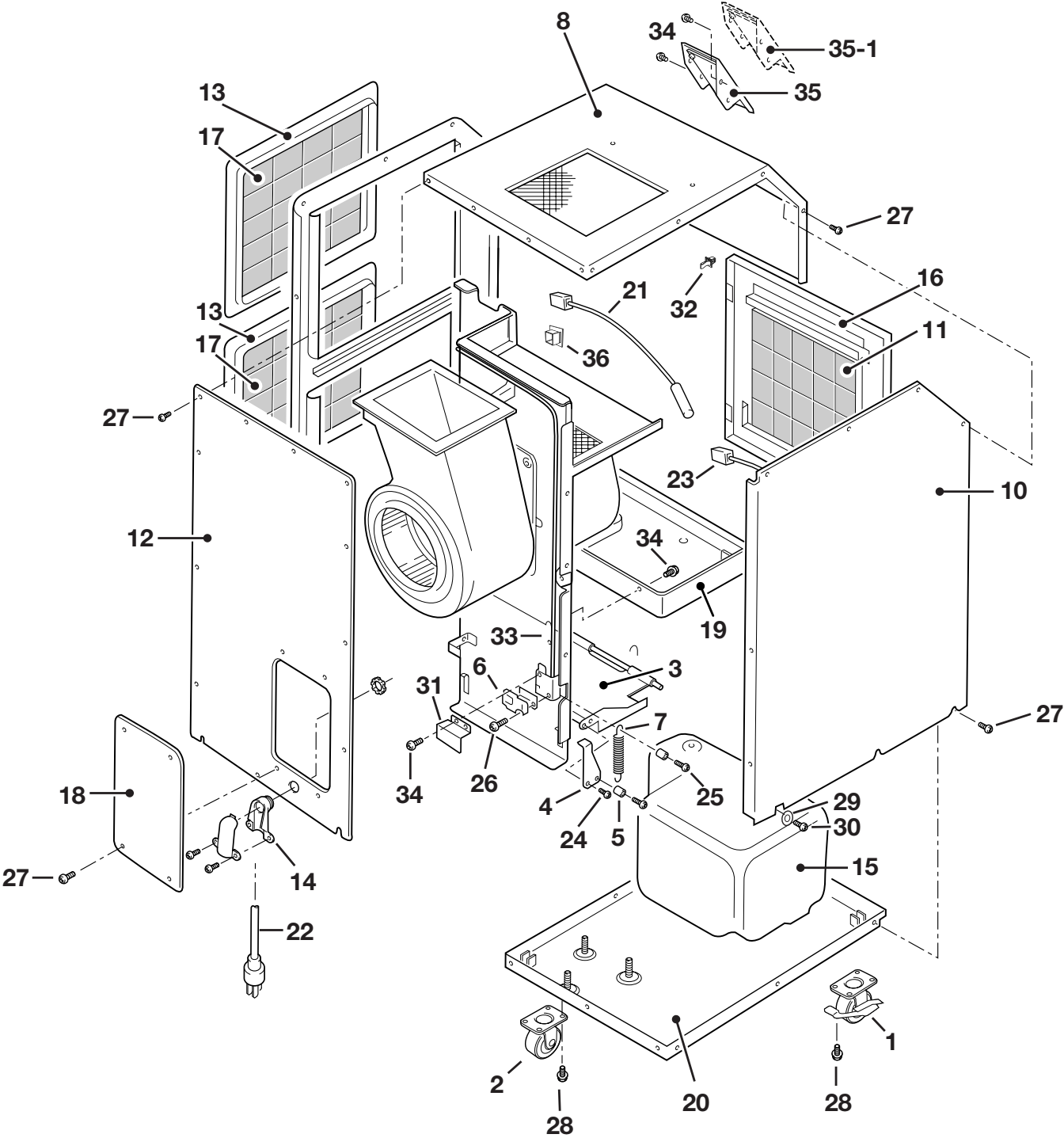
CLASSIC PLUS 26



CLASSIC PLUS 26

ILL. NO.	DESCRIPTION	PART NO.	QTY.	REMARKS
•	Air Conditioner Assy	Classic Plus 26		w/Duct Assy
1	Unit Assy			See Page 4
2	Duct Assy, Cool Air	LA484350-0090	2	
3	Screw w/Washer	91370-06121	8	M6, L12

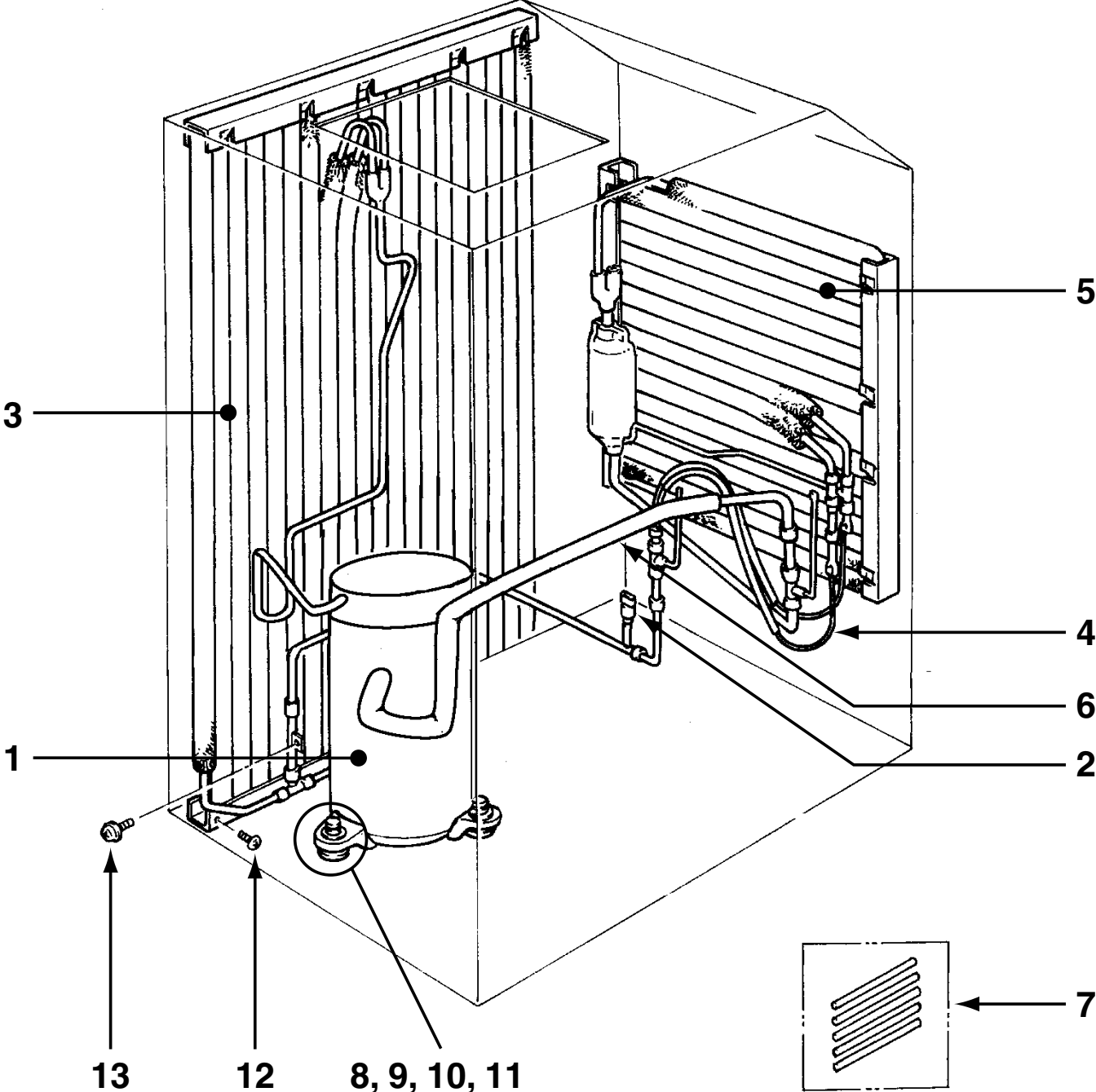
CLASSIC PLUS 26



CLASSIC PLUS 26

ILL. NO.	DESCRIPTION	PART NO.	QTY.	REMARKS
•	Unit Assy,	Classic Plus 26		
1	Caster, Pivoting	LA484702-0170	2	w/brake
2	Caster, Fixed	LA484702-0180	2	
3	Frame Sub-Assy (Drain Tank)	LA484310-2770	1	
4	Bracket	LA484321-0510	1	
5	Socket	480837-0030	4	
6	Switch Assy, Drain Tank	LA484502-0380	1	
7	Spring, Tension Coil	949171-2090	2	
8	Panel Assy, Upper	LA484410-5430	1	Top
9	Panel Assy, Right	LA484410-5420	1	Condenser
10	Panel Assy, Left	LA484410-5400	1	
11	Element, Filter (Evaporator)	LA484401-1100	1	
12	Panel Assy, Rear	LA484410-5410	1	
13	Frame Assy, Filter	LA484400-0300	2	Condenser
14	Retainer, Power Cord	LA479748-0020	1	
15	Tank, Drain	484731-0021	1	
16	Panel Assy, Front	LA484410-3920	1	
17	Element, Filter (Condenser)	LA484401-1100	2	
18	Panel, Service	LA484470-2690	1	
19	Drain Pan Assy	LA484430-0120	1	
20	Frame Sub-Assy (Base)	LA484310-2620	1	
21	Thermistor, Room Temp.	LA484532-002A	1	
22	Power Cord Assy	LA484930-483A	1	
23	Thermistor, Anti-Freeze Up	LA484532-0030	1	
24	Screw w/Washer	91370-04101	3	D4, L10
25	Screw	91060-04161	4	D4, L16
26	Screw w/Washer	91310-03161	2	D3, L16
27	Screw, Tapping	949007-6700	48	D4, L10
28	Bolt w/Washer	91510-08141	16	M8, L14
29	Washer, Plate	90201-06400	1	
30	Screw, Pan Head	90051-06120	1	
31	Cover, Drain Switch	LA484391-056A	1	
32	Clip, Front Panel	LA484923-0220	2	
33	Wire Assy, Main	LA484930-5590	1	(RB) ↔ (CB)
34	Screw	949006-5850	11	
35	Controller Assy	LA484500-1860	1	(CB)
35-1	Mounting Plate, Control Board	LA484420-0300	1	w/Overlay
36	Holder, Front Panel Clip	LA484927-0850	2	

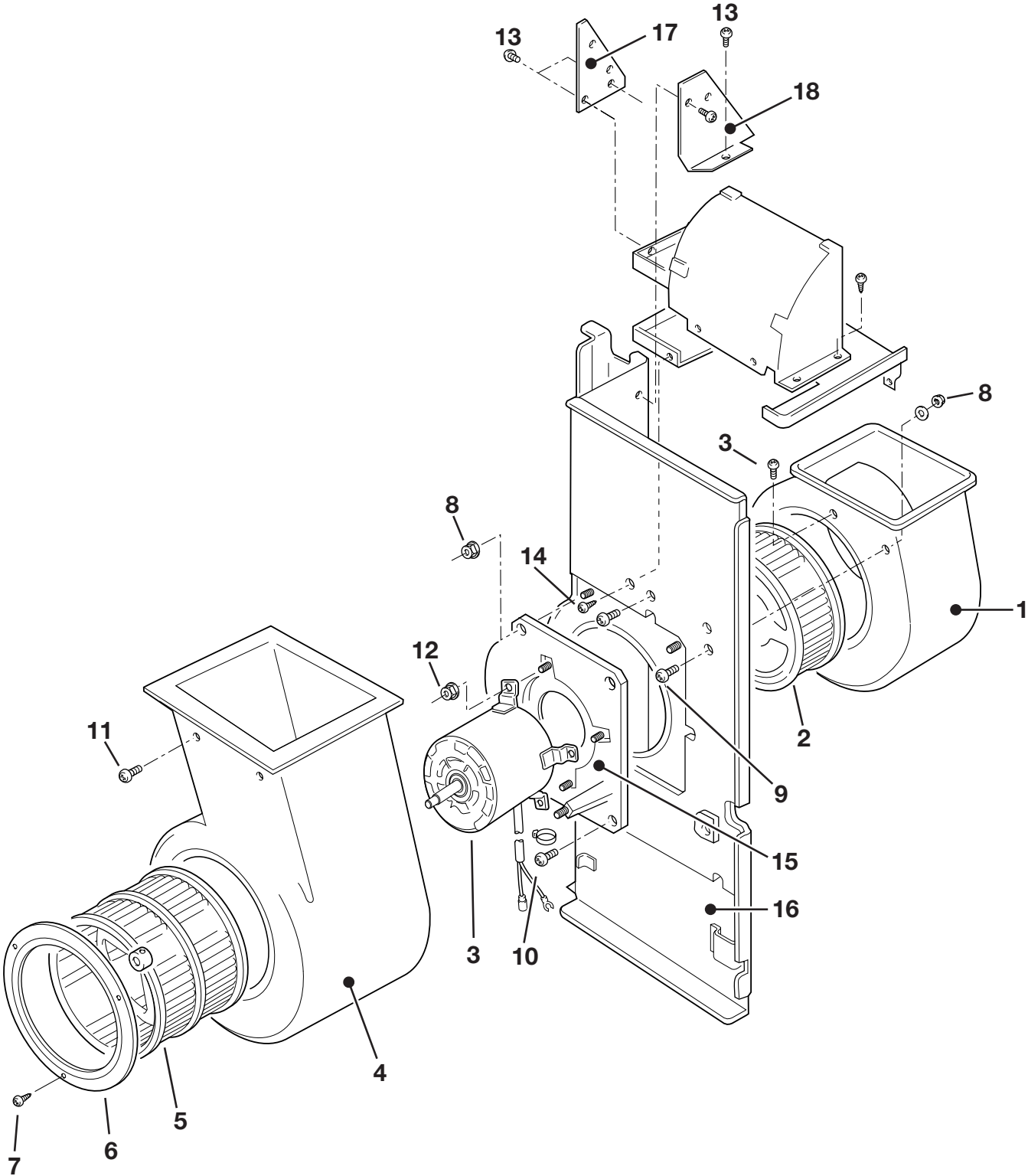
CLASSIC PLUS 26



CLASSIC PLUS 26

ILL. NO.	DESCRIPTION	PART NO.	QTY.	REMARKS
1	Compressor Assy	LA484650-1250	1	
2	High Pressure Switch Assy	LA484660-0410	1	
3	Core Assy, Condenser	LA484600-1430	1	
4	Pipe Assy, Capillary	LA484800-2761	1	
5	Core Assy, Evaporator	LA484600-124A	1	
6	Suction Pipe Assy	LA484800-2770	1	
7	Pipe Assy, Charging	484800-0440	1	5 per package
8	Cushion	LA484904-0220	4	
9	Collar, Steel	LA484915-0280	4	
10	Washer, Steel Plate	949011-5330	4	
11	Nut, Hexagon	90190-08651	4	
12	Screw, Tapping	949001-1570	4	
13	Screw, Crossrecess Pan	91051-04100	2	

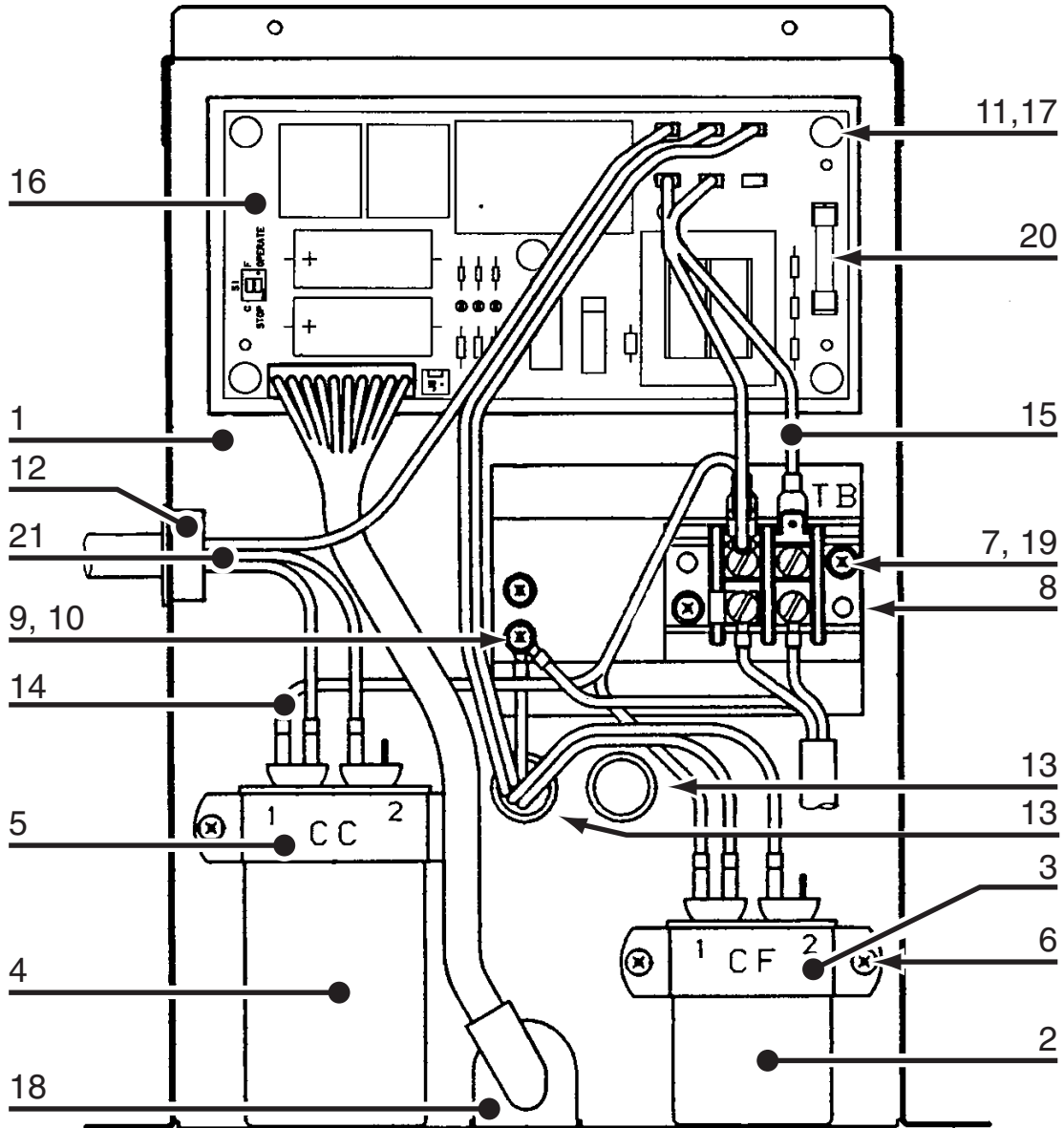
CLASSIC PLUS 26



CLASSIC PLUS 26

ILL. NO.	DESCRIPTION	PART NO.	QTY.	REMARKS
1	Blower Housing	484261-0010	1	Evaporator Fan
2	Fan, Evaporator	484221-0112	1	w/ set screw
3	Fan Motor	LA484211-1400	1	
4	Blower Housing Assy	484260-0100	1	Condenser Fan
5	Fan, Condenser	484221-0142	1	w/ set screw
6	Ring Sub-Assy	484280-0050	1	
7	Screw w/Washer	91370-04141	3	D4, L14
8	Nut, Hex	92150-06061	2	
9	Screw w/Washer	91370-06161	4	D6, L16
10	Screw w/Washer	91370-06121	5	D6, L12
11	Screw w/Washer	949007-3600	2	D4, L10
12	Nut	949056-1430	4	
13	Screw	949006-5850	4	
14	Screw	949001-1570	6	
15	Bracket, Mounting	LA484330-0440	1	Fan Motor
16	Frame Sub-Assy, Middle	LA484310-3140	1	
17	Stay, Control Panel	LA484331-6890	1	Left Side
18	Stay, Control Panel	LA484331-6880	1	Right Side

CLASSIC PLUS 26



CLASSIC PLUS 26

ILL. NO.	DESCRIPTION	PART NO.	QTY.	REMARKS
1	Box Sub-Assy, Control	LA484520-072A	1	
2	Capacitor, Fan	LA484507-0710	1	12uf,440V (CF)
3	Holder	LA484927-0880	1	
4	Capacitor, Compressor	LA484507-0720	1	40uf,370V (CC)
5	Holder	LA484927-0890	1	
6	Screw	949006-3250	4	
7	Screw	949006-3280	2	
8	Terminal Block	LA484503-040A	1	(TB)
9	Screw	91051-04100	3	
10	Washer, Plate	90201-04300	3	
11	Screw w/Washer	91370-03081	5	
12	Grommet	LA484926-0490	1	
13	Grommet	LA484926-0500	2	
14	Wire Assy	LA484930-5221	1	Capacitor
15	Wire Assy	LA484930-523A	1	(TB) ↔ (RB)
16	Relay Board Assy	LA484500-1990	1	(RB) 230V
17	Spacer	LA484921-0150	5	
18	Grommet	484926-0290	1	
19	Washer, Plate	90200-04331	2	
20	Fuse, Relay Board	LAY65765-0010	1	2/10 amps 250 volts
21	Wire Harness Assy	LA484930-5210	1	Compressor

(800) 264-9573

www.movincool.com

DSCA P/N: LA990009-0550-E