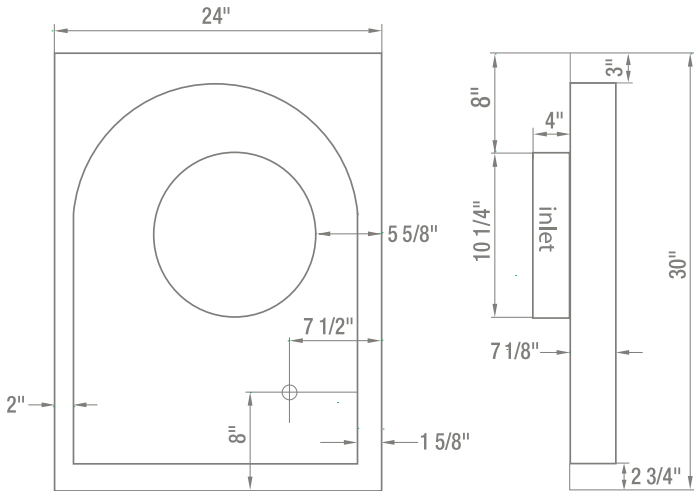
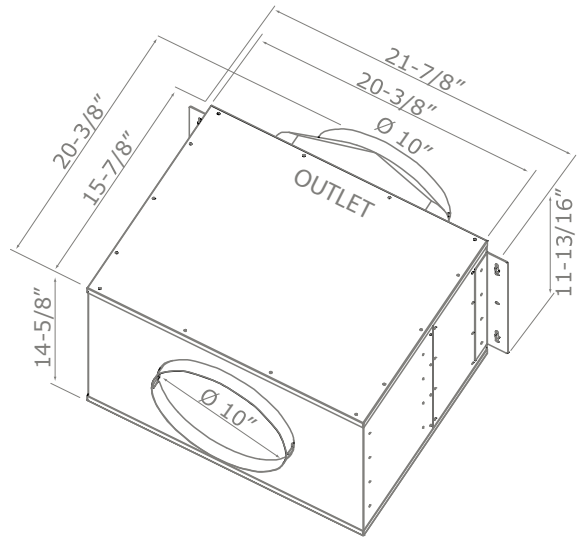


CBE-1000
(external)



PBN-1000A
(in-line)



BLOWERS

| MODEL | BLOWER TYPE | MAX WATTS* | MAX AMPS* | MAX CFM | MAX SONES | COMPATIBLE MODELS |
|-------------|-----------------|------------|-----------|---------|-----------|--|
| CBI-290A | Single Internal | 77 | 0.75 | 290 | 3.2 | CCA, COK, CTP, Arc Collection |
| CBI-290B | Single Internal | 77 | 0.75 | 290 | 3.2 | AK83 |
| CBI-600A | Single Internal | 320 | 2.75 | 600 | 6 | CCA, COK, CTP, Arc Collection |
| CBI-600B | Single Internal | 320 | 2.75 | 600 | 6 | AK83, AK78 |
| EBI-600B | Single Internal | 450 | 3.75 | 600 | 9 | CPA |
| PBI-1100A | Dual Internal | 640 | 5.45 | 1,100 | 8 | AK83, AK78, ALU-E43ASX |
| PBD-1200A | Dual Internal | 660 | 5.8 | 1,200 | 9 | AK7036BS, AK7042BS, AK7000BS, AK7536BS, AK7548BS |
| CBE-1000** | External | 700 | 6.25 | 1,000 | NA | AK83, AK78, Cheng Collection, Arc Collection |
| PBN-1000A** | In-line | 640 | 5.45 | 1,000 | NA | AK83, AK78, Cheng Collection, Arc Collection |

*Add blower Watts and Amps to AC Power details from hood spec sheet to determine total power consumption.
 **For Cheng, Arc Collection and AK83 hoods you must transition from 10" to 8" ducting before duct passes through ceiling. A 10" to 8" adapter is included with external and in-line blowers.
 The exception to this is ALU-E43ASX which uses a 10" round.