



**U-LINE**  
CORPORATION

# COMBO ICE MAKER/REFRIGERATOR MODEL C02175FF

Capacity: 4.2 cubic feet of refrigeration; up to 8 lbs daily ice production; 13 lbs ice storage  
Defrost Type: Frost-free  
Colors: Stainless Steel, Black, White

*Echelon Series*

## Features & Benefits



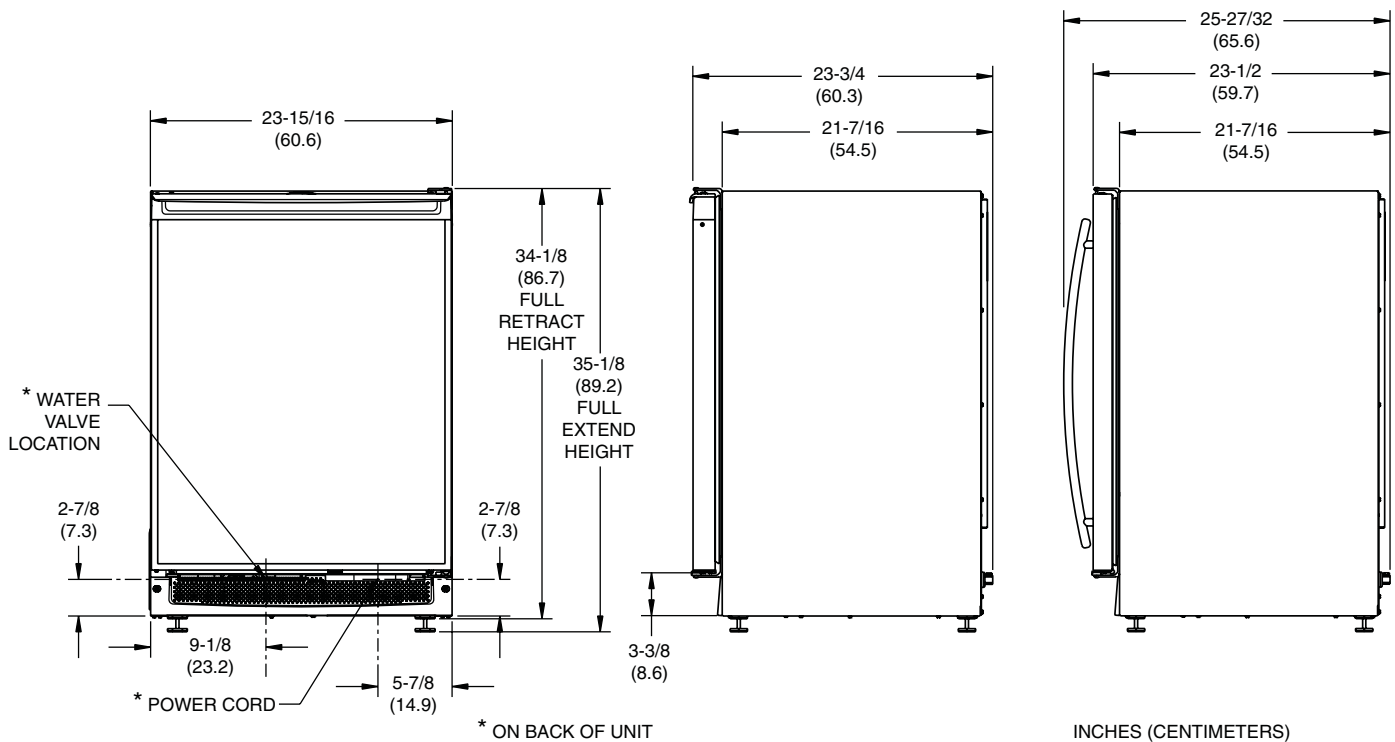
Feature	Benefit
Ice making and refrigeration in one unit	Provides both ice production and refrigeration in one compact unit
No drain required	<ul style="list-style-type: none"> <li>• Easy and inexpensive to install</li> <li>• Only requires a 1/4" outside diameter water line</li> </ul>
Conserves on water	Uses under 1 gallon of water to produce 8 lbs of ice
Touch Control Digital Technology	<ul style="list-style-type: none"> <li>• Full-featured, easy-view command center - right at your fingertips</li> <li>• Easy to set and see the refrigerator temperature</li> <li>• Easily turns the ice maker "off" while the refrigerator continues to function</li> <li>• Manages key model functions and provides user alerts</li> </ul>
Open door alarm	Audible alert when door is left open
Optional 3/4" full overlay door panel	<ul style="list-style-type: none"> <li>• Provides a fully integrated appearance with surrounding décor while maintaining zero door clearance</li> <li>• Easy to install</li> <li>• Black and white models only</li> <li>• Must order kit number U-OL2175</li> </ul>
Standard door will accept a 1/4" panel	<ul style="list-style-type: none"> <li>• Ability to match surrounding décor and cabinets</li> <li>• Black and white models only</li> </ul>
Built-in or freestanding	<ul style="list-style-type: none"> <li>• Provides custom look</li> <li>• No additional clearance around sides, top or rear for ventilation. <b>Do not obstruct front grille.</b></li> </ul>
Stainless steel model	<ul style="list-style-type: none"> <li>• Offers a full wrap stainless door and cabinet, along with a curved, sculpted stainless door handle and a stainless-like grille</li> <li>• Must order right- or left-hand hinged</li> <li>• Optional bold commercial-style stainless handle available for purchase</li> </ul>
Three fully encapsulated, curved glass shelves	Contains spills while providing an upscale appearance. Easy to clean.
Two contoured, adjustable in-door storage shelves	Easy access, flexible storage
Self-closing door	<ul style="list-style-type: none"> <li>• Engages when the door is open 8-10"</li> <li>• Ensures a positive door seat and prevents bounce-back</li> </ul>
Field-reversible doors	<ul style="list-style-type: none"> <li>• Flexible installation options - can fit any location with easy access</li> <li>• Black and white models only</li> </ul>
Integrated handle	<ul style="list-style-type: none"> <li>• Sleek designer look that does not add depth to the cabinet when built in</li> <li>• Black and white models only</li> </ul>
Vinyl-clad cabinets	<ul style="list-style-type: none"> <li>• Textured, rich look. More resistant to scratching, peeling and flaking.</li> <li>• Cabinet extends to the floor</li> <li>• Black and white models only</li> </ul>
Recessed interior light	<ul style="list-style-type: none"> <li>• Automatically illuminates when door is opened</li> <li>• Does not interfere with product access or storage</li> </ul>
Leveling legs	<ul style="list-style-type: none"> <li>• Achieve a more precise undercounter fit</li> <li>• Durable, strong legs will not bend when unit is installed</li> </ul>
Sabbath or "Black Out" mode	<ul style="list-style-type: none"> <li>• Easily turns off all lights and control displays</li> <li>• Automatically resets after 36 hours</li> </ul>
Contemporary grille design	Integrates seamlessly into surrounding cabinetry
Outdoor use	The stainless model is deemed suitable for outdoor use by UL.

# Dimensions & Specifications

*Echelon Series*

CO2175FF

CO2175FF (Stainless Steel)



## Combo Ice Maker/Refrigerator Model CO2175FF

### Specifications

Shipping Weight:	
Black and White Models	136 lbs (62 kg)
Stainless Steel Models	145 lbs (66 kg)
(1) Running Amps	2.5
(1) Maximum Start-up Amps	6.5

### Capacities

Refrigerator volume	4.2 cubic feet
Freezer volume	N/A
Approximate daily ice production	Up to 8 lbs
Ice storage	13 lbs

(1) Amps pertain to a 110/115 volt, 60 Hz electrical environment.

Stainless steel model must be ordered right- or left-hand hinged.

Stainless steel models: Allow 2-1/2" clearance on hinge side for 90° door opening when installed against a wall.

For left-hand hinged door allow a 145° door opening to remove the ice bucket.

*Please visit [www.U-Line.com](http://www.U-Line.com) for Installation Guide.*

*All specifications subject to change without notice.*



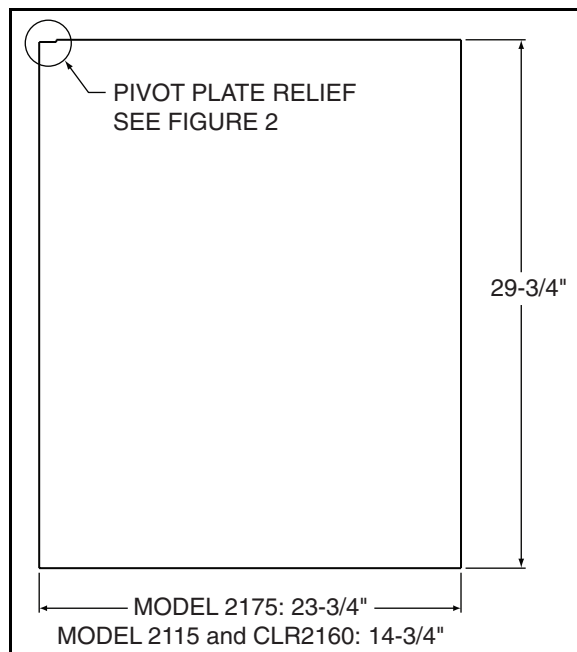
8900 North 55th Street • Milwaukee, Wisconsin 53223  
Phone: 414-354-0300 • Fax: 414-354-7905 • [www.u-line.com](http://www.u-line.com)

## Full Overlay Panel Preparation for Models 2175, 2115 and CLR2160

### IMPORTANT

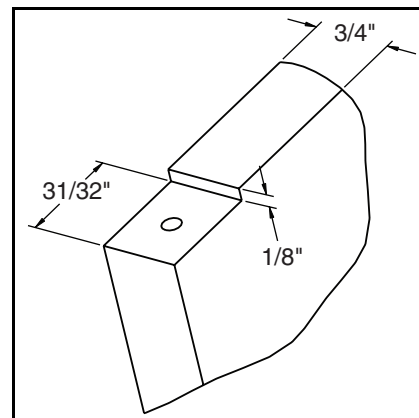
The full overlay door panel must not weigh more than 20 lbs. The thickness of the door panel must be 3/4".

1. Cut door panel to proper size (**Figure 1**). Be sure to note which model the door will be used on.

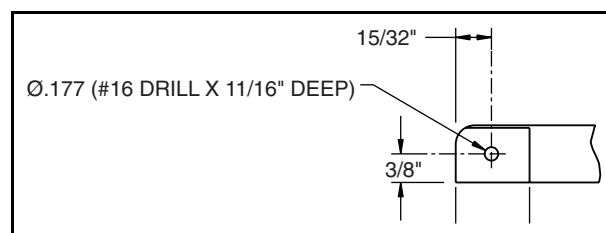


**Figure 1**  
**Rear View of Wood Panel for Right Hand Hinge Shown.**  
Use Mirror Image for Left Hand Hinges.

2. Create a relief (**Figure 2**) for pivot plate by cutting notch in top corner. Refer to the following figures for exact specifications.

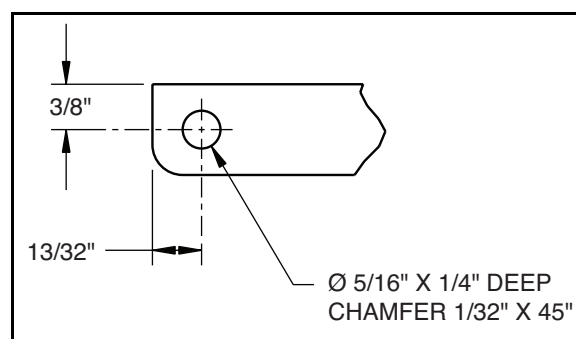


**Figure 2**  
**Relief Notch for Pivot Plate**



**Figure 3A**  
**Top View of Door**

3. Drill hole for upper door hinge (top of panel) (**Figure 3A**).  
0.177" diameter  
(#16 drill) x 11/16" deep
4. Drill hole for lower door hinge (**Figure 3B**).  
5/16" diameter x 1/4" deep



**Figure 3B**  
**Bottom View of Door**

**NOTE:** It is important to ensure that all drilled holes are drilled to the correct depth in order to avoid splits in the wood when hardware is installed.



8900 North 55<sup>th</sup> Street ▪ Milwaukee, WI ▪ 53224-9540 ▪ 414-354-0300 ▪ (fax) 414-354-7905

---

## ÉCHELON 1/4" CUSTOM INSERT PANEL SIZES

2115/CLR2160	27 11/16" H x 14 1/32" W
2175	27 11/16" H x 23 1/32" W
2175DWRR/CO2175DWR	12 15/32" H x 23 1/32" W

- Zero clearance with a flush/flat door panel.
- Door will accept a raised panel. Allow proper clearance, on hinge side when installing a raised panel. Amount of clearance will depend on raised panel thickness.
- The maximum panel thickness when inserted into the door reveal (channel) is 1/4" thick.
- For raised panels the depth of the reveal is 1/4" on both sides and bottom and 1/4" on top.
- Panel not to exceed 20 pounds.
- Conversion information: 1 inch = 2.54 cm