

Convection Microwave



CMO-24-SS 24" Convection Microwave Oven (as shown)

Enjoy the speed and convenience of a microwave that delivers the results of a convection oven. The DCS convection microwave allows you to decrease cooking times without sacrificing the flavor and texture of your food. No one will know your famous pear cobbler was baked in half the time.

ADDITIONAL FEATURES:

- Carousel turntable system
- 900 watts of power
- Smart and efficient sensor settings
- Available for free-standing or built-in applications
- 30" trim kits available for built-in application

Traditional Microwave



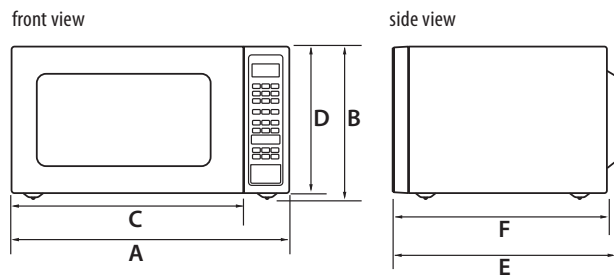
MO-24-SS 24" Traditional Microwave Oven (as shown)

Not all things that go into a microwave are small. Our microwave oven has 2.0 cubic feet of space. That means you can reheat entire dishes. At DCS, we designed a microwave with 1200 watts of power so you are not disappointed the next time you reheat your Thanksgiving leftovers.

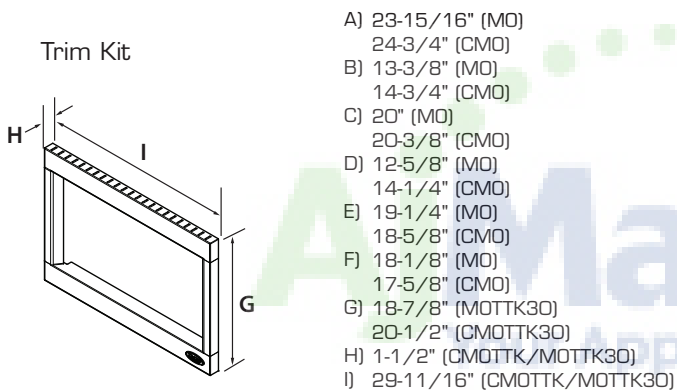
ADDITIONAL FEATURES:

- Carousel turntable system
- Smart and efficient sensor settings
- Complete with oven light
- Available for free-standing and built-in applications
- 30" trim kits available for built-in application

Microwave Oven Dimensions:



Microwave Ovens	24" Traditional	24" Convection
MODEL NUMBER	MO-24-SS	CMO-24-SS
MICROWAVE POWER	1200 WATTS	900 WATTS
CONVECTION ELEMENT		1450 WATTS
OVEN SPACE	2.0 CUBIC FEET	1.5 CUBIC FEET
BUILT-IN	✓	✓
FREE STANDING	✓	✓
SEALED EASY-CLEAN INTERIOR SURFACE	✓	✓
PROFESSIONAL TRIM KIT AVAILABLE	✓	✓



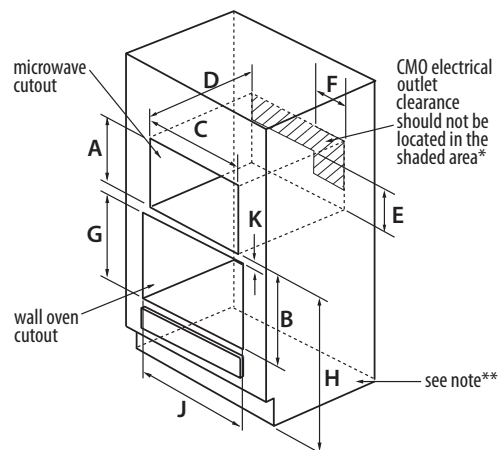
Power Requirements:

- > 120V 60Hz
- > 3 wire
- > 15 amp circuit

Recommended Accessories

- TRIM KITS:
- > 30" Traditional Microwave built-in trim kit (MOTTK30)
 - > 30" Convection Microwave built-in trim kit (CMOTTK30)

Microwave Oven Built-in Dimensions:



- A) 17" (+1/16, -0) (MO)
19-3/16 (+1/16, -0) (CMO)
B) 28-13/16" (min.) (MO)
28-5/16" (min.) (CMO)
C) 24-3/4" (+1/16, -0) (MO)
25-3/4" (+1/16, -0) (CMO)
D) 20" min.
E) 4" (MO)
15-3/8" (CMO)
F) 6" (MO)
6-7/8" (CMO)
G) 26-13/16" (+ 1/16, -0)
H) 40-1/4" (suggested)
J) 28-1/2"
K) 2" (MO)
1-1/2" (CMO)

For built-in installation of a microwave, a built-in trim kit is required (MOTTK30 or CMOTTK30).

* If the dimension of DEPTH (D) is more than 21", the outlet location may be located in any area on the rear wall.

** The floor of the opening should be constructed of plywood strong enough to support the weight of the oven.