

SPARE PARTS **CATALOG**

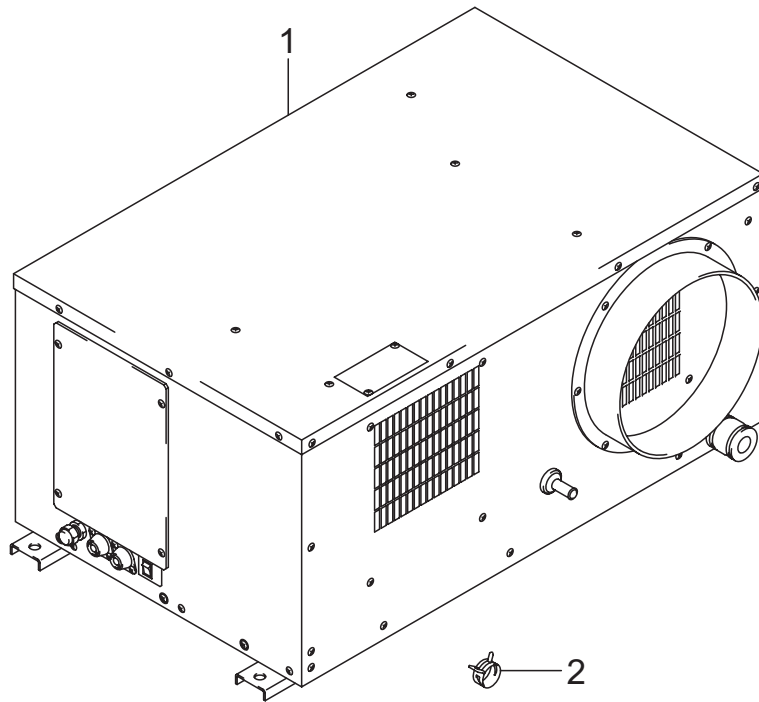
CM 12



MOVINCOOL[®]
THE #1 SPOT COOLING SOLUTION

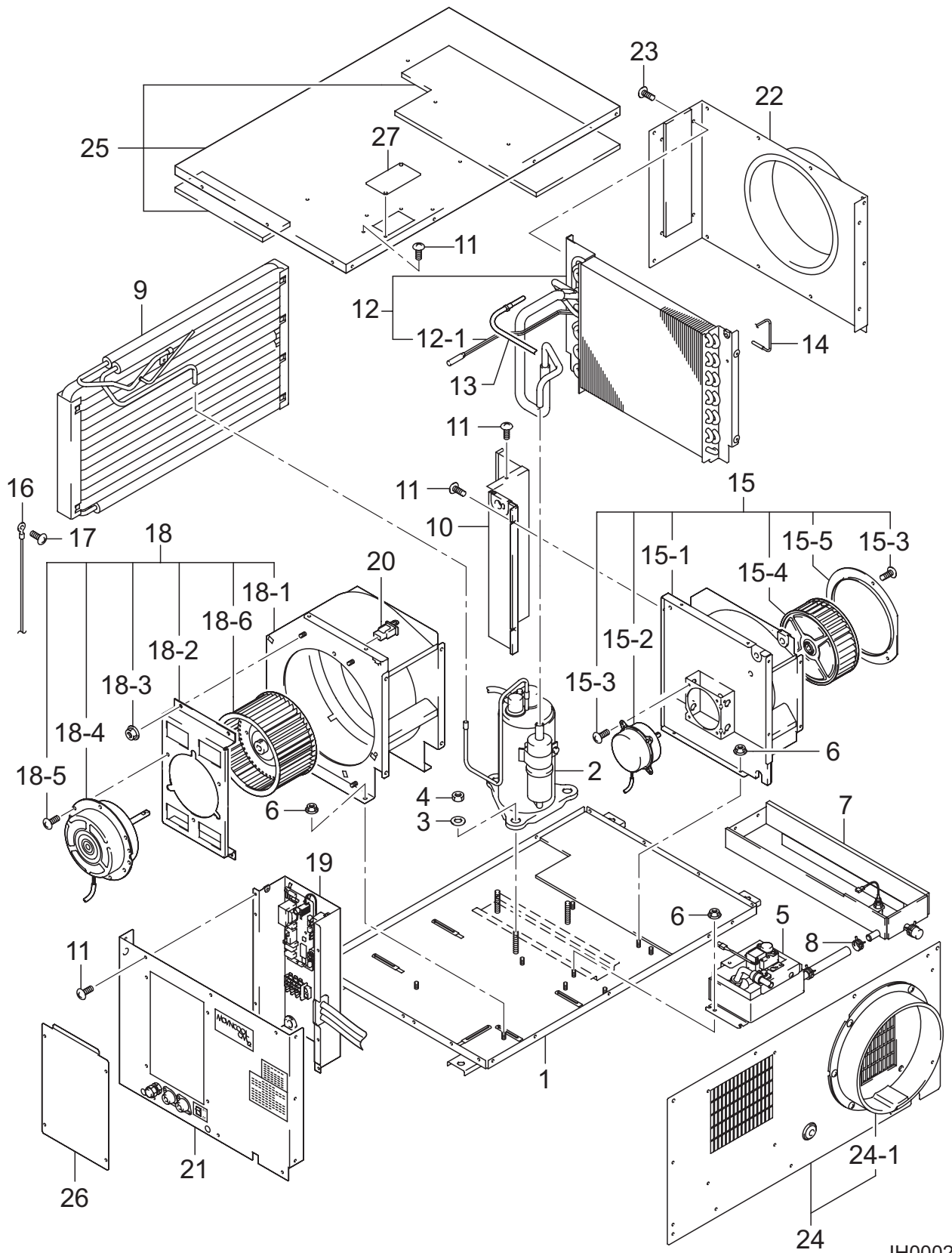
© 2006 DENSO CORPORATION

All Rights Reserved. This book may not be reproduced or copied, in whole or in part, without the written permission of the publisher.



IH0001

ILLUSTRATION NUMBER	DENSO NUMBER	MANUFACTURER NUMBER	DESCRIPTION	QTY	MODIFICATION DATE	REMARKS
* 0			AIRCONDITIONER ASSY, INSPAC			
* 1			UNIT ASSY, INSPAC			SEE P.2
2	949351-0410		CLIP, HOSE	1		

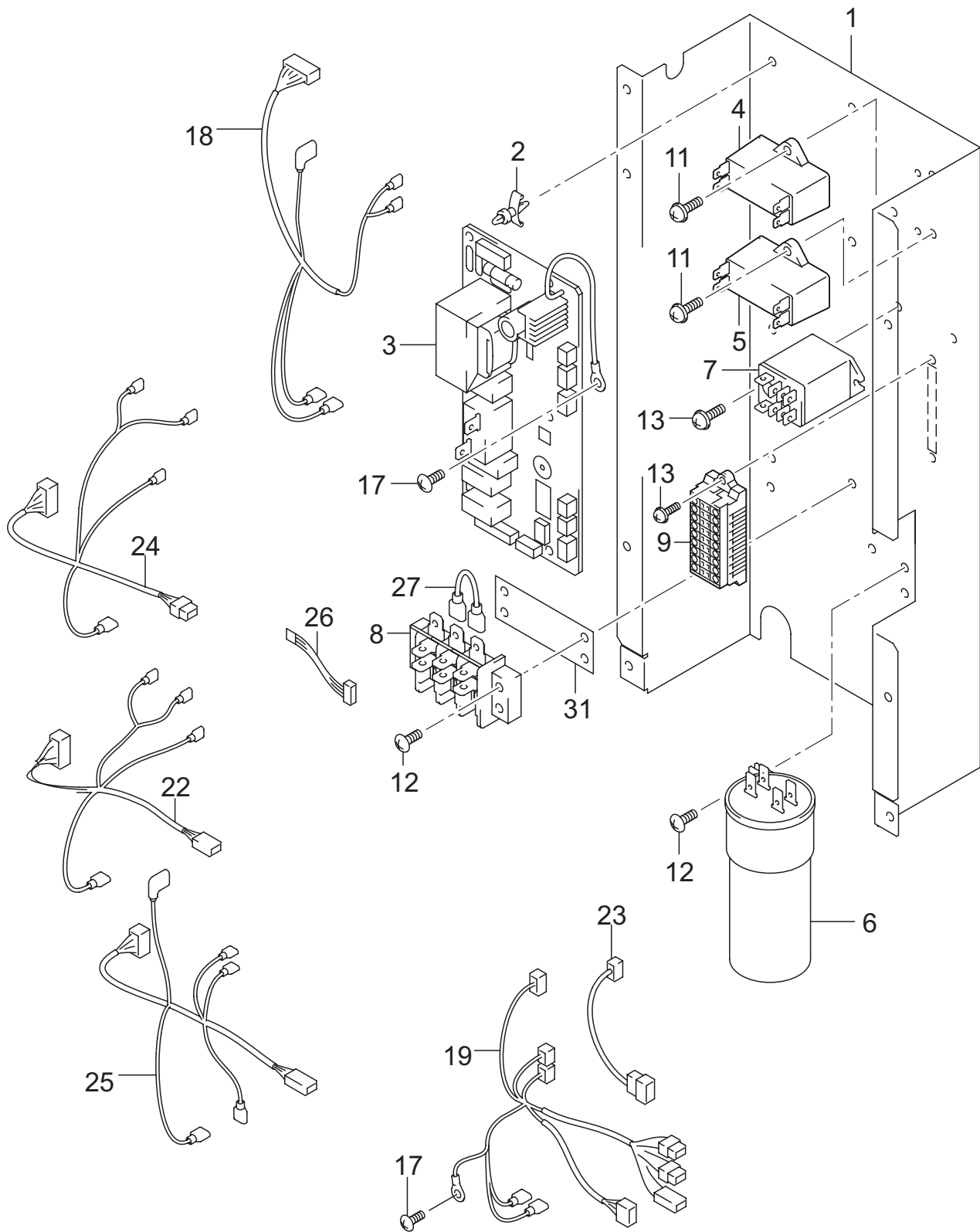


IH0002

UNIT ASSY, INSPAC

CM12

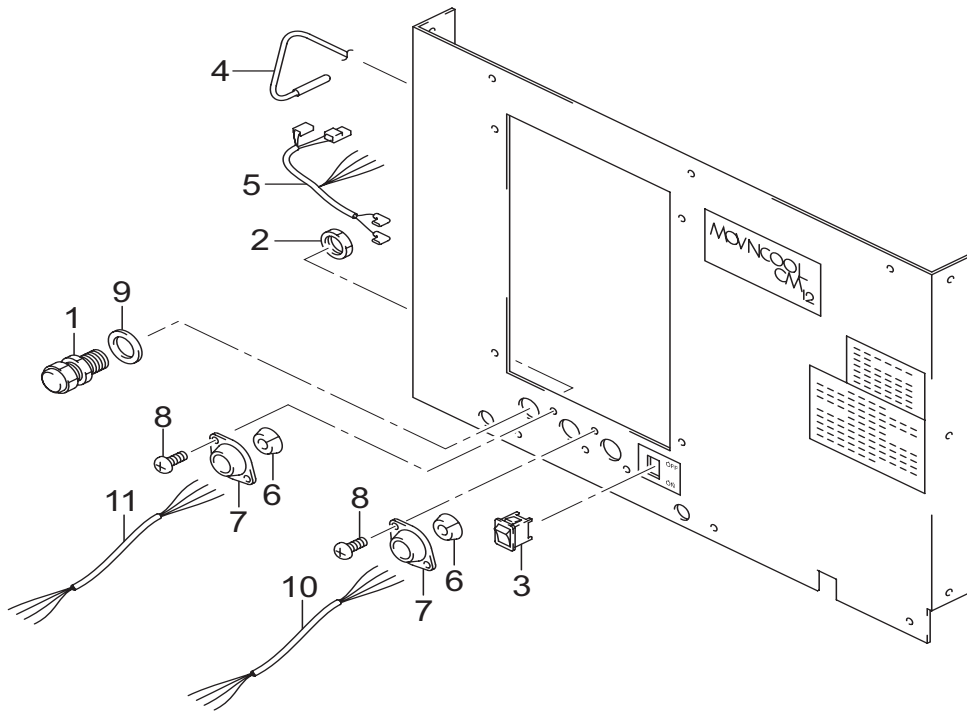
ILLUSTRATION NUMBER	DENSO NUMBER	MANUFACTURER NUMBER	DESCRIPTION	QTY	MODIFICATION DATE	REMARKS
* 0			UNIT ASSY, INSPAC			
1			FRAME ASSY			
S 2	484650-2460		COMPRESSOR ASSY	1		
3	949011-5330		WASHER, STEEL PLATE	3		
4	90190-08651		NUT, HEXAGON	3		M8
5	484780-0201		PUMP ASSY	1		
6	949056-3700		NUT	9		M5
7	484430-0590		PAN ASSY, DRAIN	1		
8	949351-0800		CLIP, HOSE	1		ID18.5
S 9	484600-2090		CORE ASSY (CONDENSER)	1		
10	484310-4980		FRAME SUB-ASSY	1		
11	949006-5850		SCREW	55		M4,L10
S 12	484600-2100		CORE ASSY (EVAPORATOR)	1		
S 12-1	484800-4020		PIPE ASSY	1		
13	482780-0960		THERMISTOR ASSY (ANTI FREEZE)	1		
14	482780-0830		THERMISTOR ASSY (ROOM)	1		
15			BLOWER ASSY			
15-1	484300-2660		FRAME ASSY	1		
S 15-2	484211-1761		MOTOR (EVAPORATOR)	1		(IDFM)
15-3	949006-5850		SCREW	7		M4,L10
15-4	484221-0570		FAN (EVAPORATOR)	1		
15-5	484381-0662		RING (INLET)	1		
16	484932-0731		WIRE (GROUND)	1		
17	91051-04100		SCREW, CROSSRECESS PAN	1		M4,L10
18			BLOWER ASSY			
18-1	484300-2670		FRAME ASSY	1		
18-2	484301-4630		FRAME	1		
18-3	949056-3700		NUT	4		M5
S 18-4	484211-1770		MOTOR (CONDENSER)	1		(ODFM)
18-5	90050-06101		SCREW, CROSSRECESS PAN	3		M6,L10
18-6	484221-0580		FAN (CONDENSER)	1		
18-7	484381-0390		RING (INLET)	1		
18-8	949006-5850		SCREW	3		
19			CONTROLLER ASSY			SEE P.4
20	484930-8830		WIRE ASSY	1		
21	484410-7850		PANEL ASSY (LEFT SIDE)	1		SEE P.6
22	484410-7900		PANEL ASSY (RIGHT SIDE)	1		
23	949001-1570		SCREW, TAPPING	4		D4,L10
24	484410-7871		PANEL ASSY (FRONT)	1		
24-1	484360-0660		DUCT SUB-ASSY (FLANGE)	1		
25	484410-7880		PANEL ASSY (TOP)	1		
26	484410-7890		PANEL ASSY (SERVICE)	1		
27	484311-3220		PLATE (TOP COVER)	1		



CONTROLLER ASSY

CM12

ILLUSTRATION NUMBER	DENSO NUMBER	MANUFACTURER NUMBER	DESCRIPTION	QTY	MODIFICATION DATE	REMARKS
0			CONTROLLER ASSY			
1			BOX			
2	482125-3170		SUPPORT	6		
3	484500-3260		CONTROLLER ASSY	1		(RB)
S 4	484507-1500		CONDENSER	1		7uF 250VAC(CFI)
S 5	484507-1510		CONDENSER	1		9uF 220VAC(CFO)
S 6	484507-1520		CONDENSER	1		50uF 250VAC(CC)
S 7	484531-0710		RELAY	1		
8	484503-0430		TERMINAL	1		TB-A
9	484503-0730		TERMINAL	1		TB-B
11	949006-3250		SCREW	2		M4,L10
12	949006-3280		SCREW	4		M4,L18
13	949006-6220		SCREW	4		
17	91051-04100		SCREW, CROSSRECESS PAN	3		M4,L10
18	484930-8752		WIRE ASSY	1		TB-A ~ RB
19	484930-8761		WIRE ASSY	1		TB-A ~ RB ~ Thermistor (ANTI FREEZE. ROOM)
22	484930-8782		WIRE ASSY	1		TB-A ~ RB ~ ODFM ~ CFO
23	484930-8790		WIRE ASSY	1		RB ~ OD Thermistor
24	484930-8801		WIRE ASSY	1		TB-A ~ RB ~IDFM ~ CFI
25	484930-8811		WIRE ASSY	1		TB-A ~ RB ~ CC ~ PUMP
26	484930-8820		WIRE ASSY	1		RB ~ TB-B
27	484930-8840		WIRE ASSY	1		TB-A (T ~ 1)
31	484311-1650		PLATE	1		



IH0008

ILLUSTRATION NUMBER	DENSO NUMBER	MANUFACTURER NUMBER	DESCRIPTION	QTY	MODIFICATION DATE	REMARKS
0			PANEL ASSY			
1	484926-0450		GROMMET	1		
2	484919-0070		NUT, HOLDER	1		
S 3	484502-0440		SWITCH	1		
4	482780-0801		THERMISTOR ASSY (OUTDOOR)	1		
5	484930-8771		WIRE ASSY (SIGNAL LINE)	1		
6	484926-0100		GROMMET	2		ID9.2
7	484917-0012		CLIP	2		BLANKING COVER
8	949006-5850		SCREW	4		M4,L10
9	484311-3230		PLATE	1		
10	484930-8861		WIRE ASSY	1		For CONTROLLER
11	484930-8871		WIRE ASSY	1		For WARNING SIGNAL

Published : May 2006

Edited and published by:

DENSO CORPORATION

Service Department

1-1 Showa-cho, Kariya, Aichi Prefecture, Japan

Printed in Japan 05H000D