

CL3050UID/O



**FEATURES**

- Legacy product image shown; actual product varies slightly.

---

- Split Climate™ intelligent cooling system revolutionizes Sub-Zero's already-superior preservation capabilities, keeping food even fresher for longer

---

- ClearSight™ LED lighting system fully illuminates the interior and reduces shadows

---

- Sleek stainless accents trim the interior, matching the sophistication of the exterior

---

- Touch control panel is conveniently located for easy access at the tap of a finger

---

- Night Mode optimizes the interior lighting based on the detected ambient light, reducing the brightness by 90% in dim environments

---

- Delivers fresh, filtered water through an internal dispenser located discreetly within the refrigerator

---

- Lift the base of the flip-up dairy compartment to store taller items on the shelf below

---

- Filtered ice ready on-demand and activate Max Ice Mode to temporarily increase ice production

---

- Position adjustable door bins at various heights to accommodate assorted items

---

- Wi-Fi enabled features provide remote access from your mobile device

---

- Sub-Zero offers an industry-leading full two-year warranty on appliances, along with a full five-year sealed system warranty and a limited twelve-year sealed system warranty

**ACCESSORIES**

- Air Purification Cartridge

---

- Custom Front Panel Mounting Kit

---

- Custom Side Panel Mounting Kit

---

- Dual Installation Kit

---

- Dual Installation Kit with 60" Grille Frame

---

- Dual Installation Kit with 60" Pro Louvered Grille

---

- Dual Installation Kit with 66" Grille Frame

---

- Dual Installation Kit with 66" Pro Louvered Grille

---

- Egg Container

---

- Grille Frame - 84"

---

- Stainless Steel Flush Inset Grille Panel

---

- Stainless Steel Kickplate

---

- Stainless Steel Side Panel

---

- Water Filter

---

- Dual Installation Kits

---

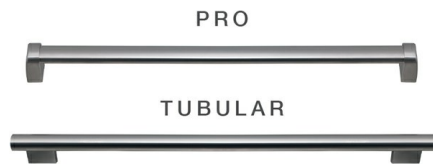
- Stainless Steel Flush Inset Door and Drawer Panels with Pro Handle

---

- Stainless Steel Flush Inset Door and Drawer Panels with Tubular Handle



**HANDLE ACCESSORIES**



**PRODUCT DETAILS**

**REFRIGERATOR**

- 4 glass refrigerator shelves (3 adjustable; 1 stationary)
- 2 crisper drawers with removable dividers
- 3 refrigerator door bins (2 adjustable; 1 stationary)
- 1 flip-up dairy compartment
- Air purification system
- Internal water dispenser
- LED refrigerator and freezer lights

**FREEZER**

- Full-extension drawer
- Water filtration system
- Automatic ice maker with removable ice container

Classic Stainless Steel Pro Louvered Grilles

---

Stainless Steel Pro Handles

---

Stainless Steel Tubular Handles

---

Stainless Steel Kickplate

Accessories are available through an authorized dealer.  
For local dealer information, visit [subzero-wolf.com/locator](https://subzero-wolf.com/locator).

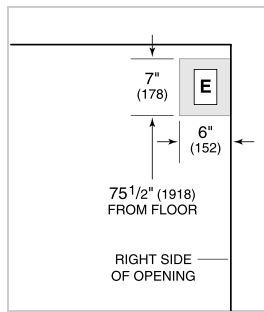
---

Specifications are subject to change without notice. This information was generated on October 3, 2022. Verify specifications prior to finalizing your cabinetry/enclosures.

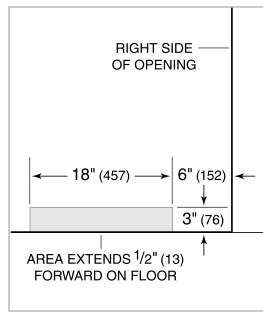
**PRODUCT SPECIFICATIONS**

Model	CL3050UID/O
Dimensions	30"W x 84"H x 24"D
Refrigerator Capacity	12.8 cu. ft.
Freezer Capacity	4.2 cu. ft.
Weight	500 lbs
Electrical Supply	115 VAC, 60 Hz
Electrical Service	15 amp dedicated circuit
Plumbing Supply	1/4" OD copper, braided stainless steel or PEX tubing
Plumbing Pressure	35-120 psi
Receptacle	3-prong grounding-type

**ELECTRICAL**



**PLUMBING**



**PANEL SPECIFICATIONS** For complete panels specifications including width/height, weight requirements, thickness requirements and offset details visit [subzero-wolf.com/builtinconfigurator](http://subzero-wolf.com/builtinconfigurator).

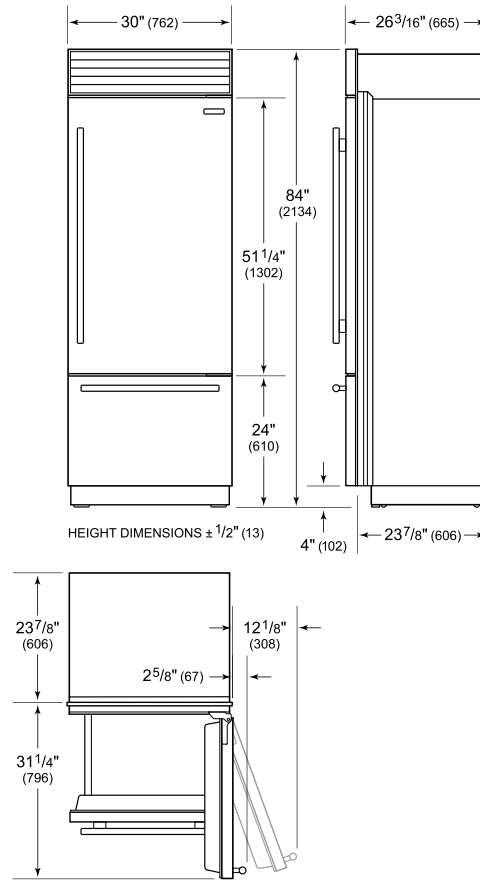
**NOTE:** Dimensions in parenthesis are in millimeters unless otherwise specified

**INTERIOR VIEW**

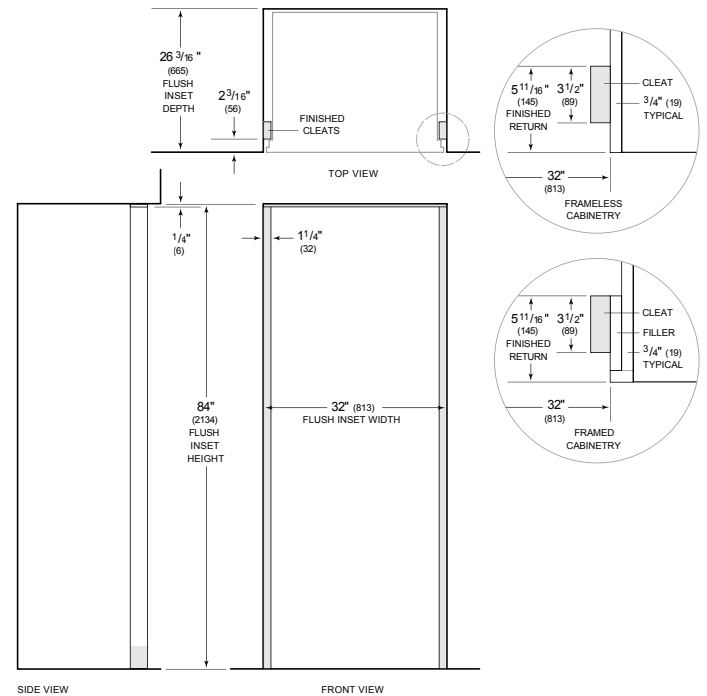


This illustration is intended for interior reference only and may not represent the exterior of the model being specified.

**DIMENSIONS**



**FLUSH INSET INSTALLATION**



**NOTE:** 3 1/2" (89) finished returns and shaded areas will be visible and should be finished to match cabinetry. Shaded line represents profile of unit with 1/4" (19) panel.