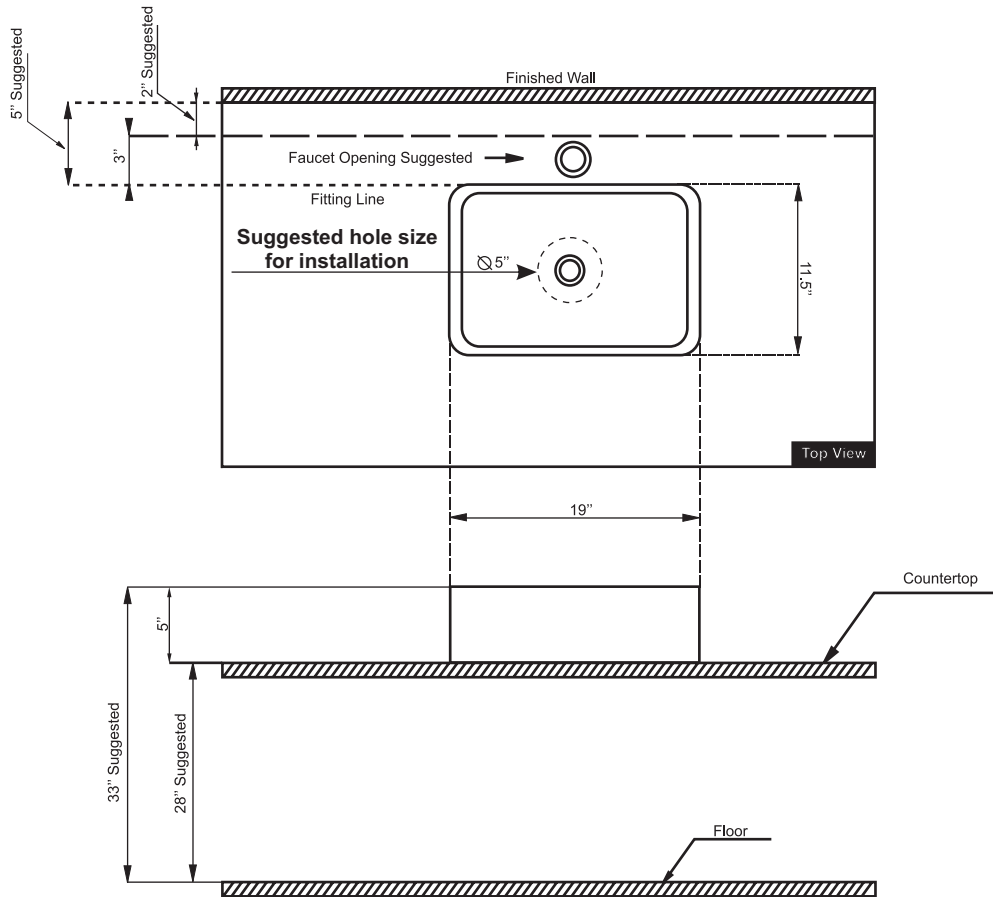


Rough-In Dimensions

Suggested opening size of the hole in the countertop for proper sink installation should be 5 inches.



NOTE: FAUCET AND WATER SUPPLY ARE NOT INCLUDED

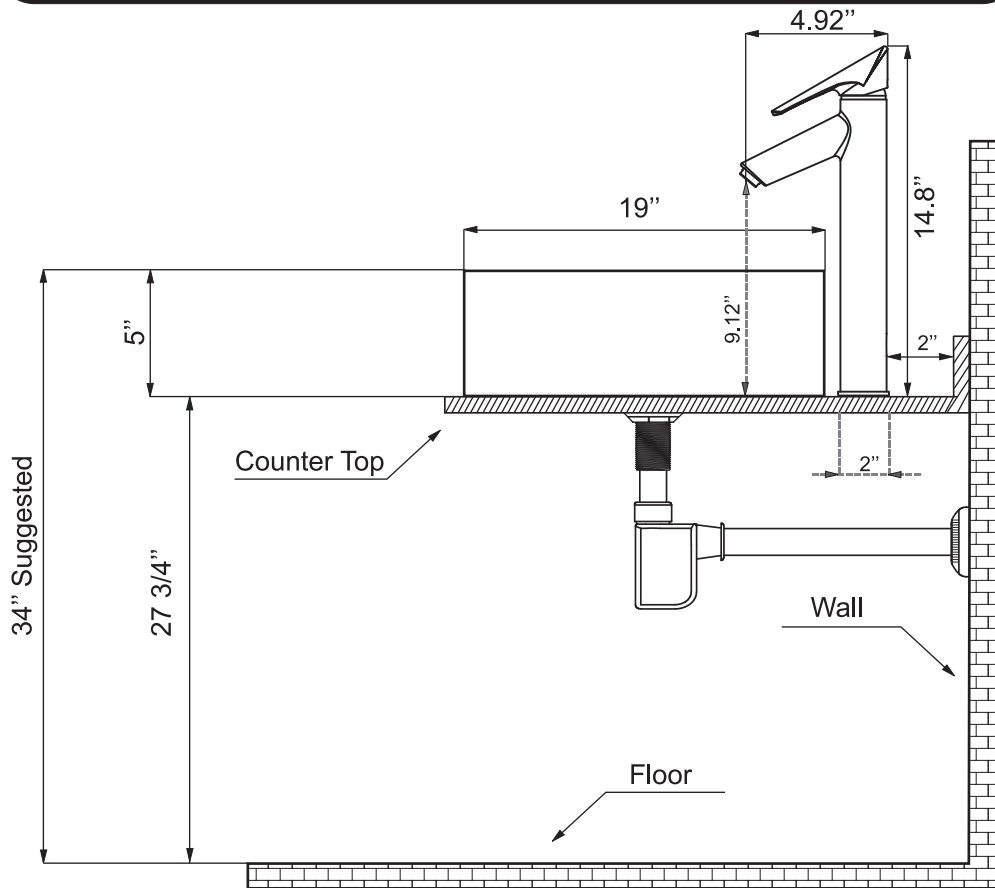
Care and Maintenance

Kraus ceramic sinks are crafted from the highest quality materials which make them extremely durable and resistant to corrosion. However, despite the durability and strength of our sinks, they may still be damaged if proper measures are not taken in their care and maintenance.

In order to prolong the life of your ceramic sink, simple daily maintenance is the key to keep your ceramic sink in its original condition. We suggest cleaning your sink after each use with a soapy sponge then rinsing thoroughly with warm water. You may dry it with a towel or a dry cloth. This will eliminate water spots and streaks while the sink is in use.

Do not be alarmed in case you begin to notice stains on your sink. They are most often caused by various minerals contained in your water supply. These mineral deposits settle in the surface of the sink and may cause the surface to stain. In order to eliminate stain spots, use a non-abrasive or mild-abrasive cleaner as mentioned earlier. Remember not to apply force while cleaning your ceramic sink. Do not scrub the sink, as you may scratch the surface. When finished, rinse thoroughly with warm water and dry with a towel or a soft cloth. At KrausUSA, your satisfaction with the quality and durability of our products is extremely important to us. Therefore, we hope that you try to avoid prolonged sink contact with products containing high concentrations of acids, dishwashing detergents, or bleaches containing chlorine. These products may stain the surface of the sink. Rinse thoroughly if these products do come in contact with the sink surface and dry it with a towel or soft cloth.

PLEASE NOTE: KrausUSA utilizes the highest manufacturing standards in all of our products. However, slight variations in size and shape on select Ceramic Vessel Sinks may occur from time to time. We recommend not cutting any surfaces based on the sizes and dimensions provided until the product is received. KrausUSA shall not be held accountable for any custom installation issues. Under no circumstances will KrausUSA be held liable for the cost of the repair or replacement of installation materials including, but NOT limited to, marble, stone, granite countertops, tiles, etc. Deviations from recommended installations, misuse, neglect, abuse, modifications or alterations may void your warranty. We advise that you comply with your local building codes as they may vary from state to state.



NOTE: FAUCET AND WATER SUPPLY ARE NOT INCLUDED

About Kraus

Kraus is a leading designer and manufacturer of a broad selection of unique bathroom fixtures and accessories including vessel sinks, faucets, showers, vanities, and bathroom accessories. Kraus incorporates its distinguished style with superior functionality and affordability while maintaining the highest standards of quality in its vast product line.

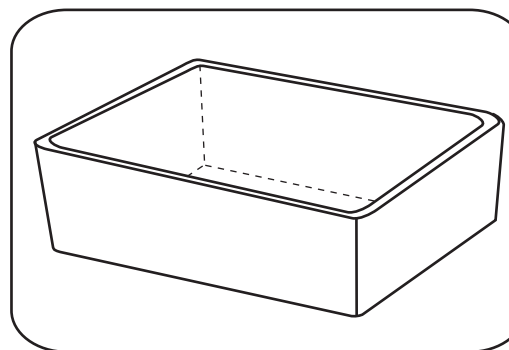
The Kraus brand name represents a fusion of leading-edge technology and an eye toward design. And we continuously seek new trends while maintaining superior quality at unprecedented prices. The Kraus collection has the widest selection of exquisite styles for any type of décor, from modern residences to countryside homes.

For Kraus, durability and reliability have always been vital components for achieving the highest standards. Every model we offer undergoes rigorous testing and inspection prior to distribution.

The key element of our success is our customers' satisfaction. As a result, our products are in high demand with shoppers worldwide.

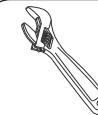


Product Description and Measurements



Installation Instruction
Ceramic Vessel Sink
MODEL-KCV-122

Tools You Will Need



Adjustable wrench



Pipe tape



Groove joint plier



Silicone Sealant

- ★ Kraus Ceramic Collection
- ★ Rectangular Ceramic Sink
- ★ 19" X 11.5" X 5" H
- ★ For Above Counter Installation

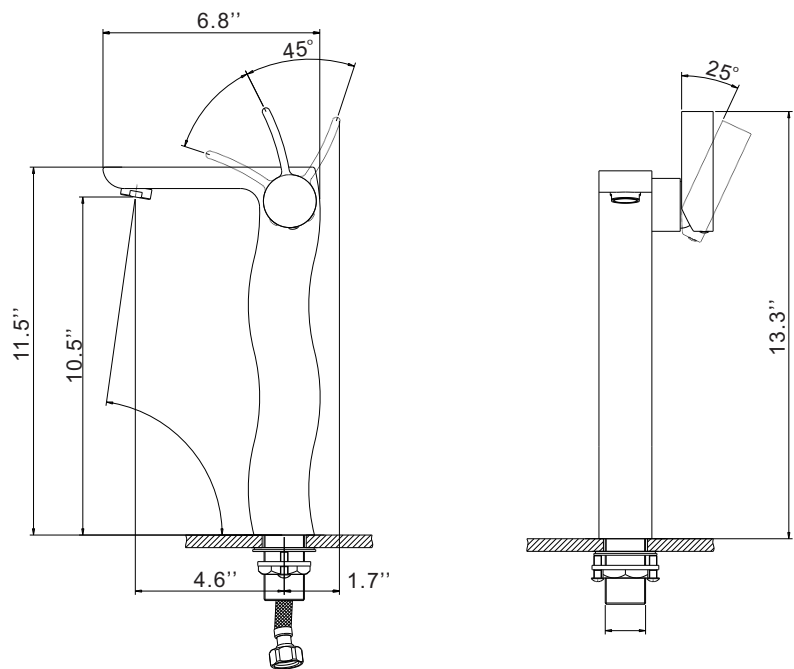
Thank You

Dear Valued Customer,
 Kraus would like to take this opportunity to thank you for this purchase. It is our sincere hope that you are completely satisfied with your new product. We welcome any questions or comments that you may have and look forward to assisting you with your accessory needs in the future.

Sincerely,
 Kraus customer service department.

Prior To Installation Steps

1. Unpack your new product and ensure that all the parts are contained in the packaging.
2. Keep the product in its original box until you ready to install it.
3. The counter top must be flat.
4. Shut off the water supply if replacing a previously-installed vessel sink.
5. Observe all plumbing and building codes in your area.
6. It is recommended that installation of the product be done by a professional plumber.



KRAUS BRAND BATHROOM FAUCETS LIMITED LIFETIME WARRANTY

KRAUS is proud to offer its customers the strongest, most durable ceramic cartridges in all solid brass Bathroom Faucets it manufactures. KRAUS guarantees all products to be free of defect in materials and craftsmanship. All KRAUS BRAND Bathroom Faucets carry a limited lifetime warranty from the original date of purchase.

If a product fails due to defect in material or craftsmanship during the warranty period, KRAUS will repair or replace the items at its sole discretion. Warranty does not apply when the item has been tampered with, misused, improperly installed, altered, or damaged due to abuse or accident. Proof of purchase (original sales receipt) must be provided to KRAUS for all warranty claims. Please contact one of our representatives if you need any additional details.

All KRAUS products must be installed by a licensed professional plumber or contractor to avoid any improper use or installation.

IN NO EVENT SHALL KRAUS BE LIABLE FOR ANY INCIDENTAL, CONSEQUENTIAL OR SPECIAL DAMAGES, INSTALLATION COST, LABOR, TRAVEL TIME, FREIGHT COSTS INCURRED, LOST PROFITS, OR CONTINGENT LIABILITIES.

KRAUS USA Inc. makes no representation that its products comply with any or all local building or plumbing codes. It is the consumer's responsibility to determine local code compliance.

This warranty extends to the original purchaser and first consumer.

Contact Us Toll-Free at 1-800-775-0703; or visit our website at www.kraususa.com ©2008-2011 Kraus USA Inc.



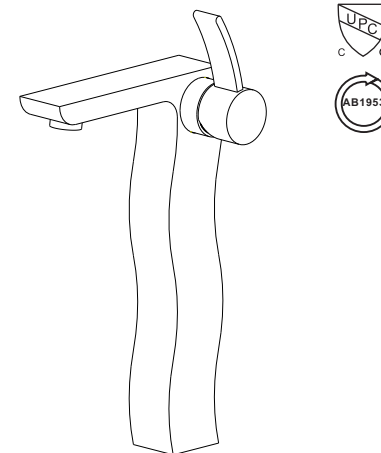
Exquisite Collection Installation Manual

Extended single-lever bathroom faucet

Dear Valued Customer,

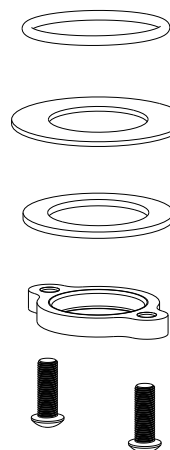
Kraus would like to take this opportunity to thank you for purchasing Kraus products. It is our sincere hope that you are completely satisfied with your new purchase. We welcome any questions or comments you may have, and look forward to assisting you in the future.

Sincerely,
Kraus customer service department.



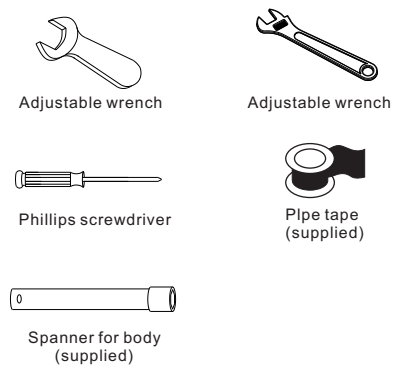
Before Your Installation

Check to make sure you have the following parts indicated below:



Model
KEF-14600

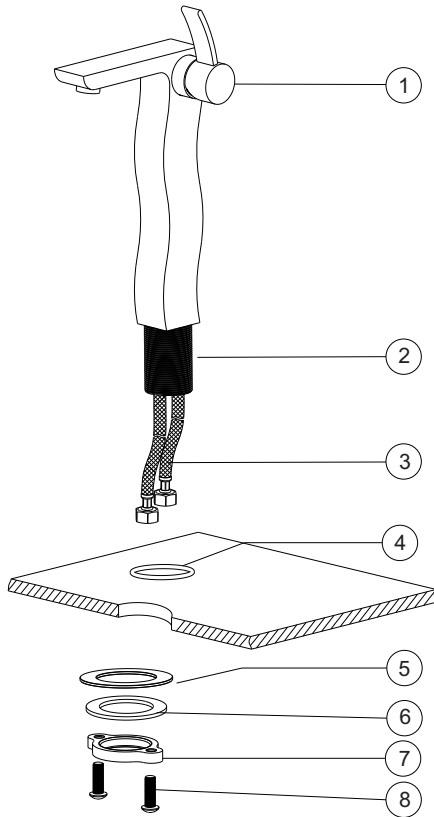
Tools You Will Need



Contact Us Toll-Free at 1-800-775-0703; or visit our website at www.kraususa.com ©2008-2011 Kraus USA Inc.

Replacement Parts

Keep this manual for ordering replacement parts.



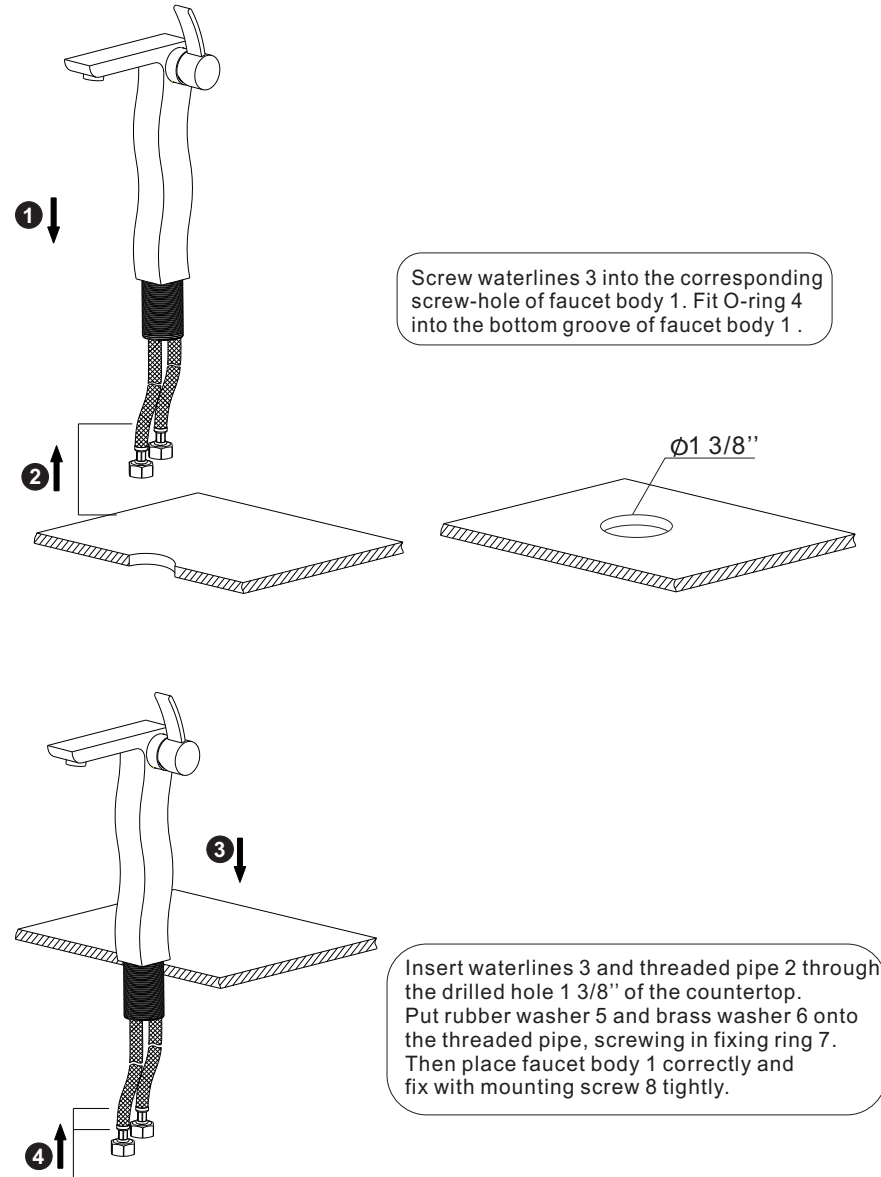
1. Faucet body
2. Threaded pipe
3. Waterlines
4. O-ring
5. Rubber washer
6. Brass washer
7. Fixing ring
8. Mounting screws

Trouble - Shooting

PROBLEM	CAUSE	ACTION
Leaks underneath handle	Adjusting ring or cap has come loose.	Tighten the adjusting ring or cap.
Aerator leaks or has an inconsistent water flow pattern.	Aerator is dirty or misfitted.	Unscrew the aerator to check rubber packing or replace the aerator.
Water will not shut off completely.	Dirty or worn out plastic washer in the cartridge.	Remove handle and cartridge to check if ceramic disk is damage permanently or dirty. Re-install cartridge.

Contact Us Toll-Free at 1-800-775-0703; or visit our website at www.kraususa.com ©2008-2011 Kraus USA Inc.

Installation



Screw waterlines 3 into the corresponding screw-hole of faucet body 1. Fit O-ring 4 into the bottom groove of faucet body 1.

Ø1 3/8''

Insert waterlines 3 and threaded pipe 2 through the drilled hole 1 3/8'' of the countertop. Put rubber washer 5 and brass washer 6 onto the threaded pipe, screwing in fixing ring 7. Then place faucet body 1 correctly and fix with mounting screw 8 tightly.

Contact Us Toll-Free at 1-800-775-0703; or visit our website at www.kraususa.com ©2008-2011 Kraus USA Inc.