

CK7500SH

GE Cafe™ Series 27 in. Built-in Double Convection Wall Oven

Dimensions and Installation Information (in inches)

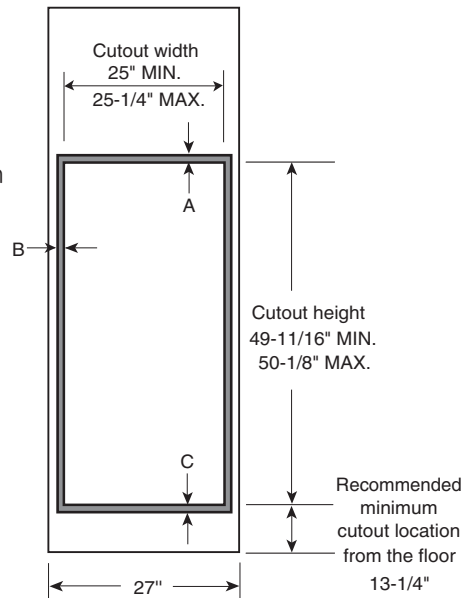
Note: Cabinets installed adjacent to wall ovens must have an adhesion spec of at least a 194°F temperature rating.

Door handle protrudes 2-1/2" from door face. Cabinets and drawers on adjacent 45° and 90° walls should be placed to avoid interference with the handle.

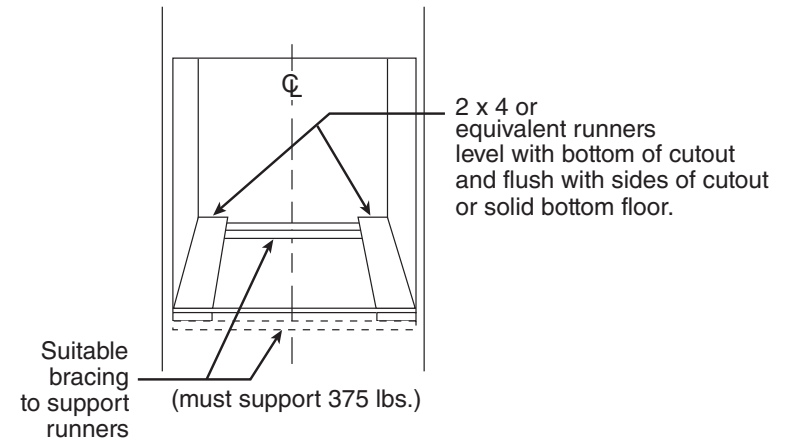
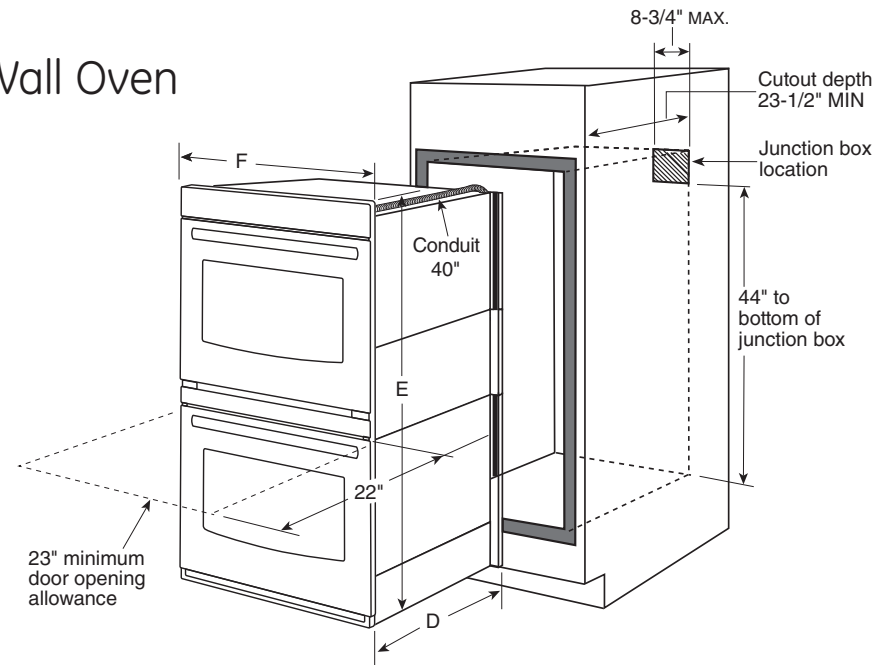
Electric wall ovens are not approved for installation with a plug and receptacle. They must be hard wired in accordance with installation instructions.

Installation Information: Before installing, consult installation instructions packed with product for current dimensional data.

KW Rating	
240V	7.2
208V	5.4
Breaker Size	
240V	30 Amps
208V	30 Amps



	CK7500
Cabinet	27"
A – Overlap of oven at top of cutout	1"
B – Overlap of oven over side of edges of cutout	1"
C – Overlap of oven at bottom of cutout	1"
Oven	
D – Overall depth with handle	26-23/32"
Overall depth without handle	23-5/8"
E – Overall height with trim	52-1/8"
F – Overall width	26-23/32"



imagination at work

For answers to your Monogram® or GE appliance questions, visit our website at geappliances.com or call GE Answer Center® service, 800.626.2000.



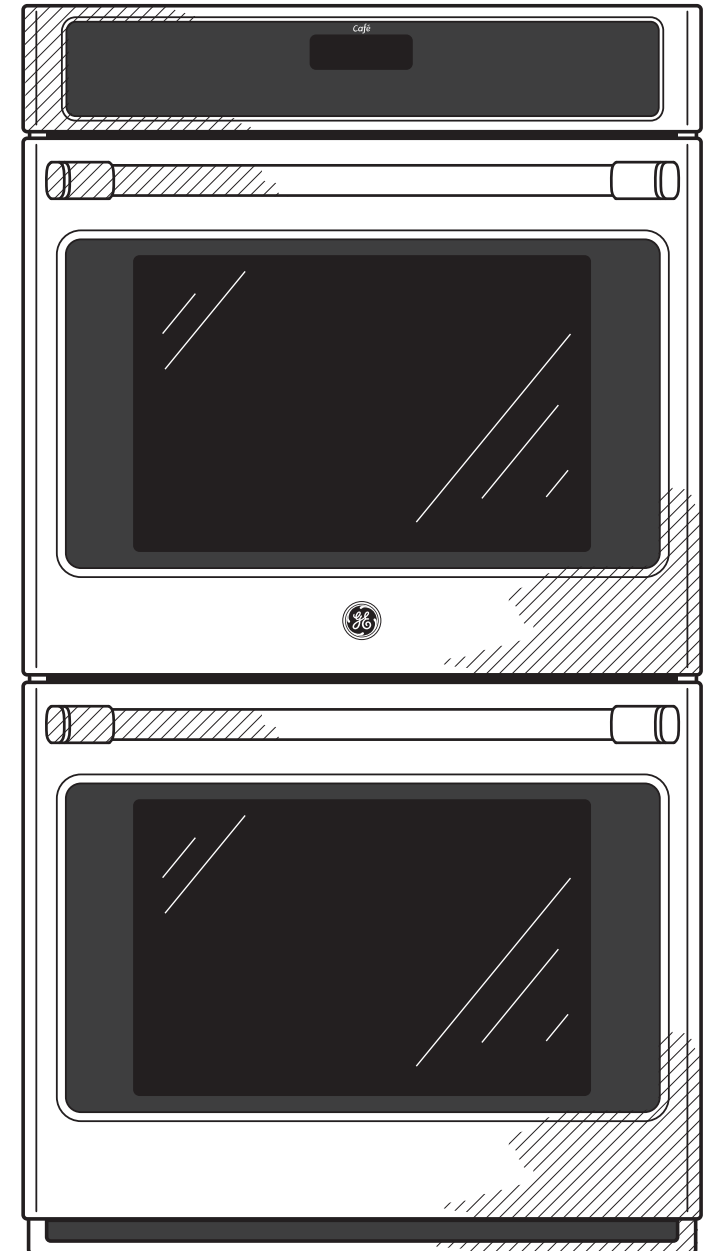
Specification Created 10/14

CK7500SH

GE Cafe™ Series 27 in. Built-in Double Convection Wall Oven

Features and Benefits

- True European Convection (upper oven) - Achieve delicious results from a third heating element and fan combination
- Brillion™ enabled - Wirelessly control functions from your smartphone
- Self-clean with Steam Clean option (both ovens) - Clean your oven the way you want
- Self-clean heavy-duty oven racks - Conveniently clean your oven and racks together
- Glass touch controls - Set temperatures quickly and clean with little effort
- Halogen interior oven lighting - Easily see how your food is baking
- Ten-pass bake element - Even baking is assured with heat that covers more surface area
- Eight-pass broil element - Get full broil coverage and even browning from edge to edge
- Double oven 8.6 cu. ft. total oven capacity (4.3 cu. ft. both ovens) - Large meals are easy with capacity that fits more at one time
- Black gloss oven interior - Enjoy a clean and sleek appearance
- Hidden bake - Make cleanup easy by eliminating hard-to-reach areas
- Model CK7500SHSS - Stainless steel



imagination at work