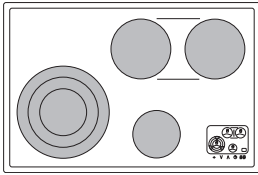


**Glass Ceramic Cooktop**  
**with touch control panel**  
**in the cooking zone arrangement**  
**Width 30" (80 cm)**



**CK 481-610**  
**stainless steel frame**

**CK 481-610**

- **Form follows function.** Flexible cooking zones for a variety of cookware.
- **Maximum cooking zone of 10 5/8"** for the large paella pan.
- **Roaster zone for the large cast roaster BT 481.** Even supply of heat or subdivision into searing and keeping warm.

Four cooking zones:

One Super-Quick cooking zone Ø 5 11/16" (1050 W) converts to Ø 8 1/4" (2100 W) or Ø 10 5/8" (3080 W) cooking zone.

Two Super-Quick cooking zones Ø 7 1/16" (1800 W), combine with intermediate zone to create a 7 1/16" x 16 5/16" (4400 W) roaster surface.

One Super-Quick cooking zone Ø 5 11/16" (1250 W).

Stainless steel frame.

Plenty of maneuvering room thanks to large distances between pots and pans and sensor electronics.

Integrated touch control panel with child lock.

Automatic quick-boil for all cooking zones.

Automatic cooking time of up to 90 minutes for all cooking zones.

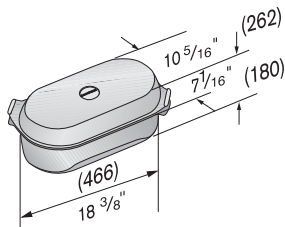
Individual residual heat indication.

Memory function.

Options menu.

Vacation lock.

**Special accessories:** **BT 481-000** Cast-iron roaster made of aluminum casting with cover, Non-stick coating. Cover can also be used as fish or grill pan.



**Planning notes:**

Clamping range: 1 3/16" – 2"

**Appliance depth 1 13/16"**

Under the appliance, a 5/8" clearance must be observed from side panels or intermediate shelves.

A Gaggenau oven can be installed under the cooktop.

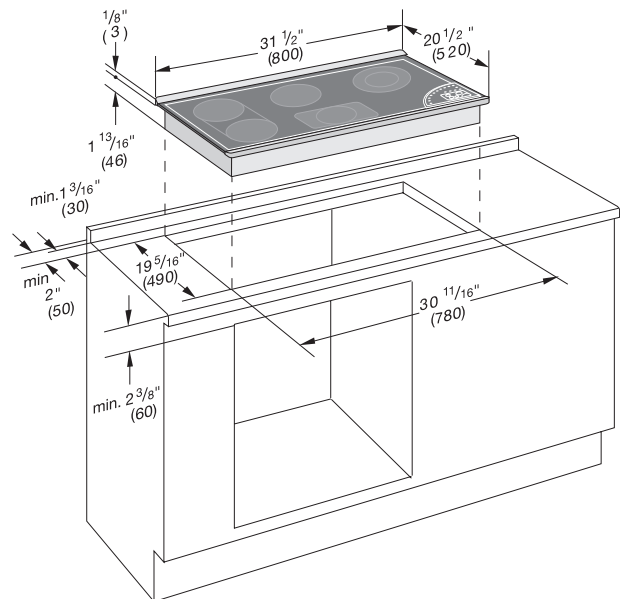
**Rating:**

**Total rating: 8.7 kW**

**Total Amps: 36**

**220-240V / 60Hz**

Installation depth in the area of the electrical connection housing 2 9/16".



Numbers indicated inside parenthesis ( ) = mm