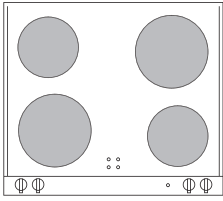


200 Series Glass Ceramic
Electric Cooktop
 with **integrated control panels**
 Width: 24" (60 cm)



CK 260-604
 stainless steel with aluminum
 control panel

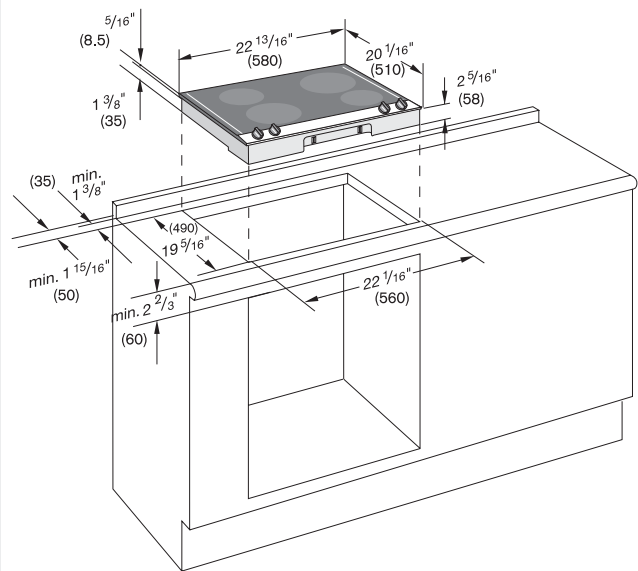
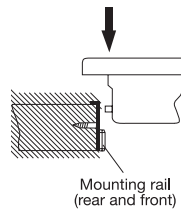
CK 260-604
 – Continuous control panel strip in
 shot-blasted aluminum. Cooking
 appliances and ovens in a consistent
 look.
 – **4 cooking zones.** Output up to
 1800 W.

Four cooking zones:
 Two Super-Quick cooking zones
 Ø 7 1/16" (1800 W).
 Two Super-Quick cooking zones
 Ø 5 1/4" (1200 W).
 Four continuously variable energy
 controls.
 Individual residual heat indicator.
 Cooking zone marking.
 Operation indicator light.

Optional accessories: **VV 200-000** Connecting strip for
 combination with other appliances
 with integrated control panel.

Planning notes:
 Installation above a 24" (60 cm)
 oven is possible.
 Appliance clicks into place when
 inserted into the countertop from
 above.
 The cooktop is equipped with
 a 56' connecting cable
 (hardware required).

Rating:
Total rating: 6.0 kW
Total Amps: 25
220-240V / 60Hz



Numbers indicated
 inside parenthesis () = mm