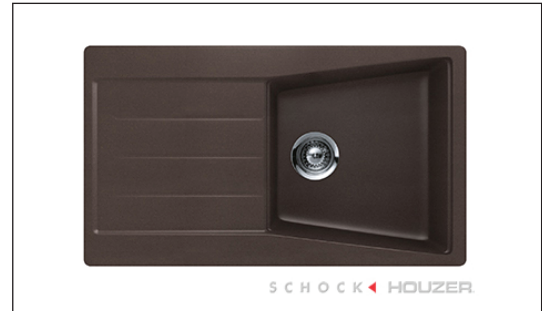


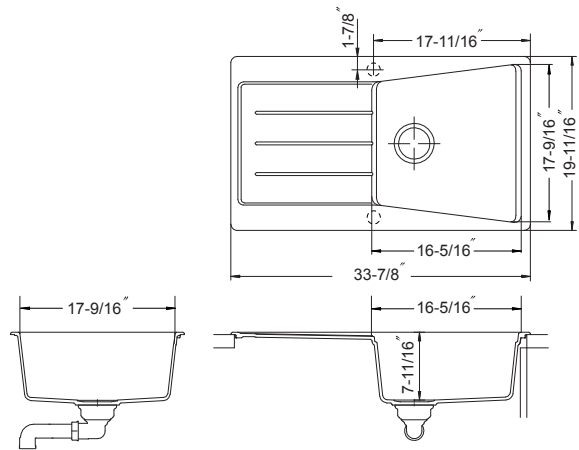
SCHOCK ◀ HOUZER® Single Bowl with Drainer Board Model City D-100



City D-100

FEATURES

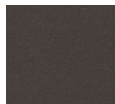
- CRISTALITE+®
- 7-11/16" depth • Dual mount (Topmount or Undermount)
- Pre-scored up to 1 faucet hole
- Intrinsically hygienic Non-porous surface
- Antibacterial protection with silver ion Antibac®
- Silky to the touch, 3 times harder than natural granite
- Food-safe, UV-stable-will not fade
- Heat resistance to +500°F
- Highest resistance to thermal shock, scratches and chips
- Color-fast throughout
- Fits 24" sink base • cUPC listed
- Supplied with cutout template, fasteners and instructions
- Lifetime Limited Warranty



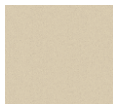
OPTIONAL COLORS



Onyx
Metallic



Mocha
Solid



Colorado
Solid

OVERALL DIMENSIONS	EACH BOWL	CUTOUT SIZE	PACKAGING*	WEIGHT*
33-7/8" x 19-11/16"	16-5/16" x 17-9/16"	See Template	1/10 pcs.	37/410lbs.

*Standard packaging: Single boxed /Pallet of single boxed.
All dimensions are in inches. Specifications subject to change without notice.

OPTIONAL ACCESSORIES

Bottom Grid: 629708

Glass Chopping board: 629036(Topmount),
629036U(Undermount)

Strainer Options: Stainless steel strainers,
Color strainers, Color Disposal flanges

Project/Job name

Architect/Engineer

Contractor

Model

Q'ty

Notes