

ALL-INDUCTION 36" COOKTOP

Thermador® | An American Icon™



AVAILABLE FALL 2007

36" All-Induction cooktop with Silver Mirrored finish.

Also available in 30".

FEATURES & BENEFITS

A new sleek Silver Mirrored finish and flush-to-countertop design seamlessly integrates with other stainless steel appliances.

Instantaneous power level control makes it as responsive and as flexible as gas cooktops.

Ultimate heating precision and our proprietary 10-step power micro-adjustments between zero and 25% provides superior performance over the widest range of simmering needs.

This Induction cooktop is 50% faster than traditional gas cooktops with its PowerBoost® feature.

It has a higher efficiency rating than other cooktops.

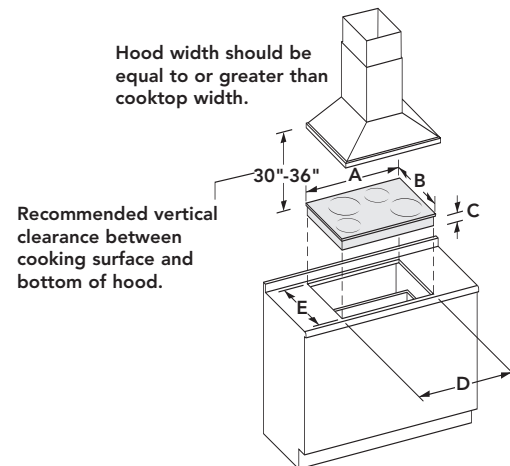
Since only the pan is heated, spills do not bake or crust onto the cooktop and can be easily wiped off.

The surface of an Induction cooktop stays cooler to the touch, making it safer than traditional cooktops.

SKU	CIT365EM
Size	36"
Finish	Silver Mirrored
Cooktop Type	Induction
Ceramic Glass	■
Total Number of Induction Heating Zones	5
Total Number of Electric Elements	N/A
12" Induction Heating Zone	■
PowerBoost	■
Easy Cleaning Surface	■
Electronic Touch Control	■
Front Left Element (in kW)	1.8/2.5*
Front Right Element (in kW)	2.2/2.3*
Rear Left Element (in kW)	1.8/2.5*
Rear Right Element (in kW)	1.4/1.8*
Center Element (in kW)	1.8/2.4*/3.6
208-240 Volts, 3 Wire, 60 Hz	■
Total Power	48 (208) 45 (240)
Amps	10,800 W
Recommended Circuit Breaker	40-50†
Approximate Shipping Weight (in lbs.)	42

*Represents wattage of PowerBoost™ setting.

†Some localities may require a 50A circuit breaker. Refer to local building codes.



Model No.	Overall Dimensions			Cutout Dimensions**	
	A	B	C	D	E
CIT365EM	36	21	3 ⁵ / ₈	34 ³ / ₄ – 34 ⁷ / ₈	19 ⁷ / ₈ – 20

Notes: All height, width and depth dimensions are shown in inches. **Please refer to installation instructions prior to making cutout. Installation instructions are available at www.thermador.com. Countertop must be 26" wide overall for best fit. When the cabinet measures 24" front to back (outside dimensions), it must be positioned so the countertop has a 1" overhang. The countertop must have a 25" flat area so that no problems can occur with a backsplash. It is important to measure from the front edge of the countertop. All cutouts start at 2 1/2" from the front edge of the countertop.

BSH reserves the absolute and unrestricted right to change product materials and specifications, at any time, without notice. Consult the product's installation instructions for final dimensional data and other details. Applicable product warranty can be found in accompanying product literature (or you may contact your account manager for further details).

1 800 735 4328 | WWW.THERMADOR.COM | 5551 MCFADDEN AVENUE, HUNTINGTON BEACH, CA 92649