

## INSTALLATION OPTIONS

### INSTALLATION ABOVE A BUILT-IN OVEN OR WARMING DRAWER

Thermador Induction Cooktops may be installed above a Thermador Single Built-in Oven. A minimum 1" air gap must be maintained between the bottom of the cooktop and the top of the oven.

Thermador Cooktops may also be installed above a Thermador Warming Drawer to create a convenient cooking center. Refer to the warming drawer section for additional specifications.

### IMPORTANT

We strongly recommend the installation of a Thermador Ventilation System with this induction cooktop.

Seal the surfaces of the cutout to make them heat resistant. This prevents the surfaces from expanding as a result of humidity.

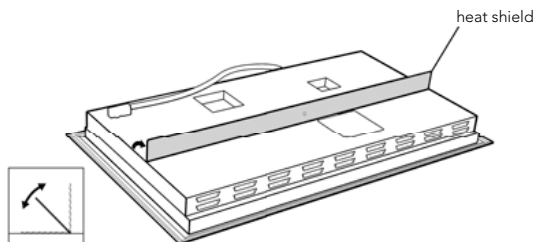
Solid surface countertops often require special installation. For example, heat reflective tape or rounded corners may be necessary. Contact the countertop manufacturer for instructions specific to your countertop.

### WARNING

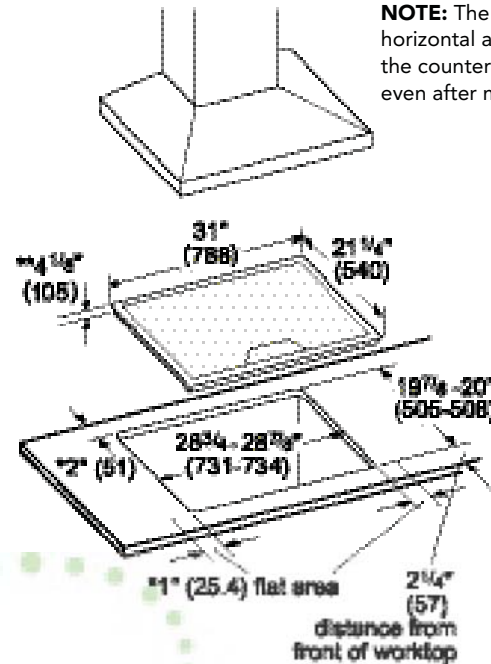
To reduce the risk of ignition of nearby combustible materials, install the countertop with a minimum distance of 2" (51 mm) from both side walls and the back wall.

### HEAT SHIELD

The heat shield will require an additional 1" clearance below the cooktop. For safety reasons, the heat shield must be properly installed. This prevents components from overheating as a result of the recirculation of hot air from the cooktop. The heat shield is the same width as the cooktop. For shipping, it is screwed to the burner box. Once installed, the heat shield will be able to rotate freely, as shown in the illustration. Refer to the instructions packed with product for installation details.

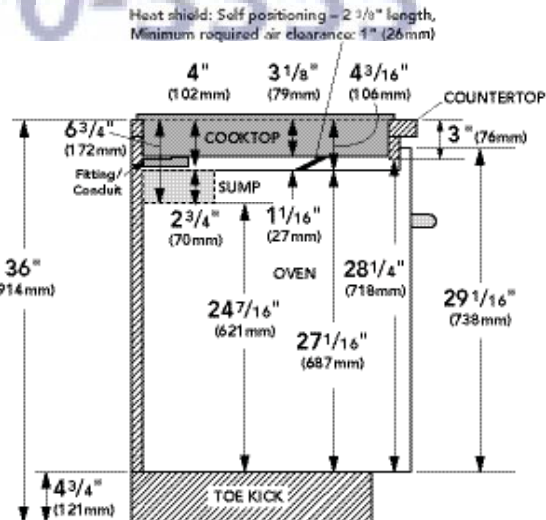


## 30-INCH COOKTOP AND CUTOUT DIMENSIONS



- \* Minimum distance from cutout to the wall
  - \*\* Recessed depth (Includes 1" air clearance)
- Measurements in inches (mm in brackets)

## INSTALLATION ABOVE A THERMADOR BUILT-IN OVEN



Note: Dimensions based on standard countertop height (36" with 4 3/4" toekick including base plate).

The built-in oven can be installed below the induction cooktop as long as there is an air clearance of 1" between the bottom of the cooktop and the top of the oven.

Sump applies to 30-inch Wall Ovens only.