

Café™ 20.2 Cu.Ft. Fully Integrated Multi-Door Bottom Freezer

CIC36LP2VS1, CIC36RP2VS1

CAFÉ

DISTINCT BY DESIGN™



CIC36LP2VS1
Stainless Steel with Brushed
Stainless handles



WARRANTY

| | |
|----------------|--|
| Labor Warranty | Limited 1-year entire appliance |
| | Limited 5-year sealed refrigerating system |
| Parts Warranty | Limited 1-year entire appliance |
| | Limited 5-year sealed refrigerating system |

FEATURES & BENEFITS

| | |
|-----------------------------------|--|
| Exterior style | Built-In Integrated 3-Door Bottom Freezer |
| Total Capacity | 20.2 Cu. Ft. |
| FF Capacity | 13.8 Cu. Ft. |
| FZ Capacity | 3.5 Cu. Ft. |
| Convertible Drawer | 2.9 Cu. Ft. |
| ADA Compliant | No |
| Energy Star | No |
| Depth | Built-In |
| Ice & Water Dispenser | No |
| Icemaker | Yes |
| Water Filtration | Yes |
| Control Type | Upfront Electronic Digital Temperature Display |
| Internal Lighting | LED |
| Colors Available | Stainless Steel |
| Case Color | Unfinished Sides or Panel Required |
| Claims & Certifications | MADE IN AMERICA, California Prop 65 |
| Configuration | Full door |
| Temperature Management Features | Integrated Air Management System |
| Cabinet shelves (total ff & fz) | 4 Half Width; 1 Full Width |
| Door bins (total ff & fz) | 3 Full Width Adjustable |
| Fresh food cabinet shelf features | 4 Adjustable glass; 1 fixed |
| Glass shelves | Yes |
| Fresh food cabinet pans/drawers | 2 |
| Clear bins and pans | Yes |
| Fresh Food Drawer Features | Adjustable humidity |
| Fresh food door bins | 3 |
| Fresh food door bins type | 3 full width adjustable |
| Freezer Drawer | Equipped with ice maker and divider slide |
| Convertible Drawer | 4 Temperature Settings: cold drinks, meat, snacks or frozen items |
| Filter change indicator | Yes - on upfront control |
| GE water filtration system | XWFE Leak Detect in top above case |
| Leveling system | 4 Point (2 adjustable back rollers, 2 adjustable front legs) |
| Refrigerant type | r600a |
| Sealed system design | Yes |
| Defrost type | Automatic defrost |
| Connected | ConnectPlus WiFi; App details; Display/change temperature; Alert if fresh food temperature is too high; Alert if freezer temperature is too high; Alert if water filter needs to be replaced; Alert for software OTA updates |

WEIGHTS & DIMENSIONS

| | |
|-----------------------------|--------------|
| Overall depth | 24-3/4 in. |
| Overall width | 35-3/4 in. |
| Overall height | 83-7/8 in. |
| Case depth without door | 22-1/8 in. |
| Depth without handle | 24-3/4 in. |
| Height to top of case | 83-11/16 in. |
| Approximate shipping weight | 590 lbs. |
| Net weight | 550 lbs. |

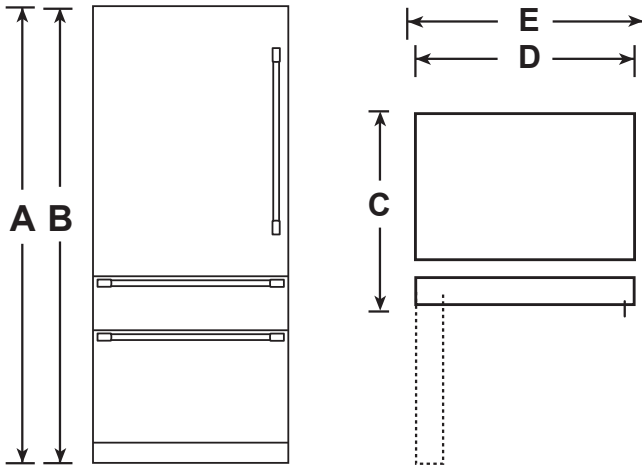
Café™ 20.2 Cu.Ft. Fully Integrated Multi-Door Bottom Freezer

CAFÉ

DISTINCT BY DESIGN™

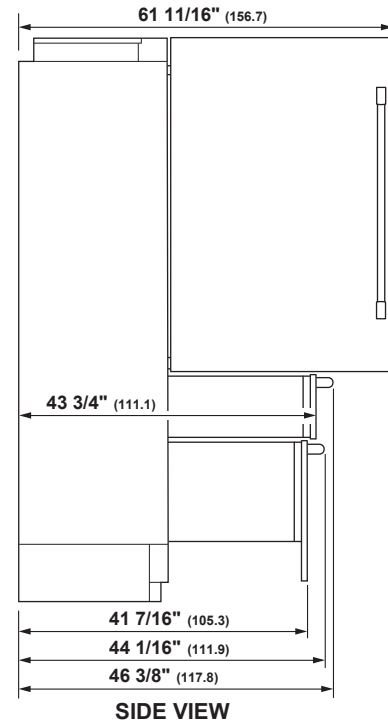
CIC36LP2VS1, CIC36RP2VS1

DIMENSIONS AND INSTALLATION

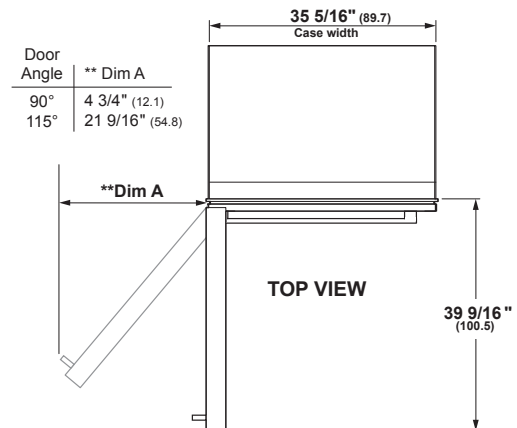


| Overall Weights & Dimensions | A - Overall Height | 83 7/8 |
|------------------------------|--|----------|
| | B - Height to Top of Case (in) | 83 11/16 |
| | C - Unit Depth With Door Closed With handle (in) | 27 5/16 |
| | D - Case Width (in) | 35 5/16 |
| | E - Overall Width (in) | 35 3/4 |
| | Approximate Shipping Weight (lb) | 590 |
| | Net Weight (lb) | 550 |

| Power / Ratings | |
|--------------------------------|--|
| Volts/Hertz/Amps 115V 60Hz 20A | |



SIDE VIEW



TOP VIEW

**PRODUCT CLEARANCES

The factory set 115° door swing can be adjusted to 90° if clearance to adjacent cabinets or walls is restricted.

GROUNDING THE REFRIGERATOR

IMPORTANT—PLEASE READ CAREFULLY

FOR PERSONAL SAFETY, THIS APPLIANCE MUST BE PROPERLY GROUNDING.

The power supply cord of this appliance is equipped with a three-prong (grounding) plug which mates with a standard three-prong (grounding) wall receptacle to minimize the possibility of electric shock hazard from this appliance.

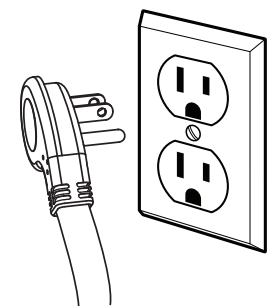
Have the wall outlet and circuit checked by a qualified electrician to make sure the outlet is properly grounded.

Where a standard 2-prong wall outlet is encountered, it is your personal responsibility and obligation to have it replaced with a properly grounded 3-prong wall outlet.

DO NOT UNDER ANY CIRCUMSTANCES, CUT OR REMOVE THE THIRD (GROUND) PRONG FROM THE POWER CORD.

DO NOT USE AN ADAPTER PLUG TO CONNECT THE REFRIGERATOR TO A 2-PRONG OUTLET.

DO NOT USE AN EXTENSION CORD WITH THIS APPLIANCE.



Café™ 20.2 Cu.Ft. Fully Integrated Multi-Door Bottom Freezer



DISTINCT BY DESIGN™

CIC36LP2VS1, CIC36RP2VS1

DIMENSIONS AND INSTALLATION

FLOORING

For proper installation, this refrigerator must be placed on a level surface of hard material that is at the same height as the rest of the flooring. This surface should be strong enough to support a fully loaded refrigerator, or approximately 1500 lbs.

NOTE: Protect the finish of the flooring. Cut a large section of the cardboard carton and place under the refrigerator where you are working.

WATER AND ELECTRICAL LOCATIONS

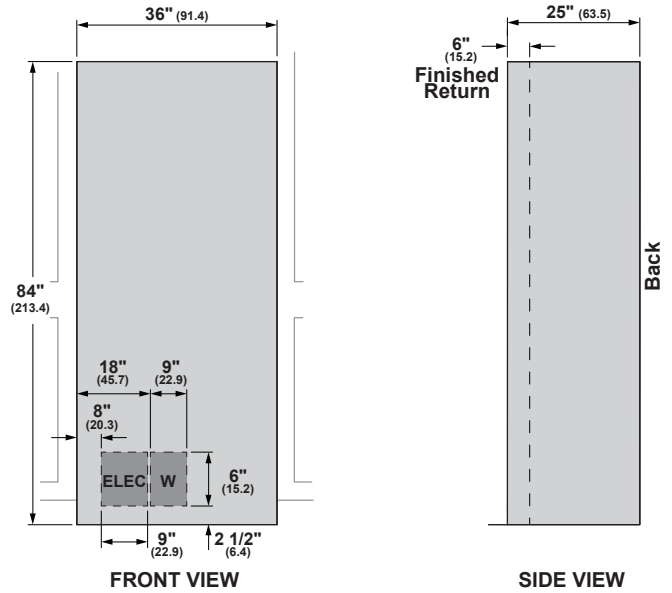
The opening must be prepared with the electrical and water supply located as shown.

FINISHED RETURN OF 6" REQUIRED

A minimum 6" (15.2) finished return matching cabinet exterior recommended on interior on all sides and top at front of opening.

ADDITIONAL SPECIFICATIONS

A 120 volt, 60Hz, 15 or 20 amp power supply is required. An individual properly grounded branch circuit or circuit breaker is recommended. Install a properly grounded 3-prong electrical receptacle recessed into the back wall. Electrical must be located on rear wall as shown.



NOTE: GFI (ground fault interrupter) is not recommended. Water line can enter the opening through the floor or rear wall. The water line installed should be 1/4" O.D. copper tubing or GE SmartConnect™ tubing between the cold water line and water connection location. The line should be long enough to extend to the front of the refrigerator. Installation of an easily accessible shutoff valve in the water line is required.

ADDITIONAL ACCESSORIES



CXSB3H3PVBZ
Brushed Bronze
Optional Kits



CXSB3H3PVBT
Brushed Black
Optional Kits



CXSB3H3PVCU
Brushed Copper
Optional Kits



CXSB3H3PVCG
Brushed Brass
Optional Kits



CXSB3H3PVFB
Flat Black
Optional Kits