

FISHER & PAYKEL

PRELIMINARY SPECIFICATION GUIDE

MODULAR COOKTOPS SERIES 11



OVERVIEW

Create the ultimate culinary solution with our Series 11 modular cooktops. Using the different induction, teppan and ventilation modules you can customise the cooking area, at the scale and format best suited to architectural plan and user needs. Fusing precise induction technology with innovative design, these modules are crafted to seamlessly work together for perfect results.

FEATURES

- ① Tailor the cooking space by pairing primary induction cooktop modules with complementary auxiliary cooktops, downdraft ventilation and teppan modules.
- ② Control the complete modular suite from the primary cooktop using a large intuitive touchscreen.
- ③ Each module is designed to fit flush or raised with the countertop for complete design freedom.
- ④ Minimal style to fit any kitchen design, with a sleek black glass finish.
- ⑤ SmartHQ™ app connectivity for additional cooking functions including Sous Vide and Poaching.*
- ⑥ Easy-to-clean single surface finish with a built-in cleaning mode.*
- ⑦ Wireless Temperature Sensor precisely monitors cooking in real time, for complete control.*

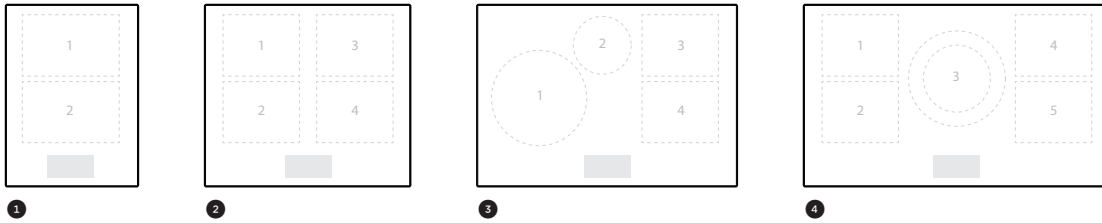
* Selected models only.

FISHER & PAYKEL

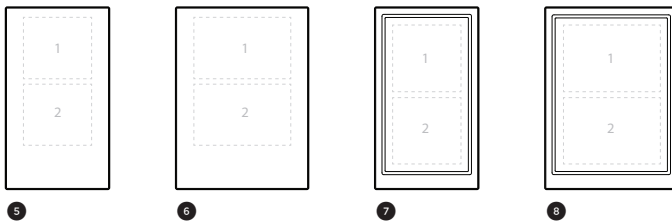
PRELIMINARY SPECIFICATION GUIDE

MODULAR PRODUCTS SERIES 11

PRIMARY MODULAR COOKTOPS



AUXILIARY MODULAR COOKTOPS



AUXILIARY MODULAR VENTILATION



PRODUCT OVERVIEW

PRIMARY MODULAR COOKTOPS - With touchscreen

1 CI152DTTB1

Primary Modular Induction Cooktop, 15", 2 Zones with SmartZone

2 CI244DTTB1

Primary Modular Induction Cooktop, 24", 4 Zones with SmartZone

3 CI304DTTB1

Primary Modular Induction Cooktop, 30", 4 Zones with SmartZone

4 CI365DTTB1

Primary Modular Induction Cooktop, 36", 5 Zones with SmartZone

AUXILIARY MODULAR COOKTOPS - No screen, must be paired with Primary Cooktop with touchscreen

5 CI122DB1

Auxiliary Modular Induction Cooktop, 12", 2 Zones with SmartZone

7 CIT122DX1

Auxiliary Modular Teppanyaki Cooktop, 12", 2 Zones

6 CI152DB1

Auxiliary Modular Induction Cooktop, 15", 2 Zones with SmartZone

8 CIT152DX1

Auxiliary Modular Teppanyaki Cooktop, 15", 2 Zones

AUXILIARY MODULAR VENTILATION - No screen, must be paired with Primary Cooktop with touchscreen

9 CD5DB1

Auxiliary Modular Ventilation, 5", Duct Out

ACCESSORIES

TBC

Multiple Product Installation Kit

KRCD5D

Recirculation Kit - coming soon

WTSC1

Wireless Temperature Sensor (Primary Cooktops supplied with 1x, also available to purchase separately).

FISHER & PAYKEL

PRELIMINARY SPECIFICATION GUIDE

MODULAR CONFIGURATIONS WITH VENTILATION

SERIES 11

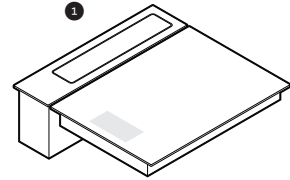
COMMON CONFIGURATIONS WITH MODULAR VENTILATION

1 SINGLE, WITH MODULAR VENTILATION

PRIMARY **CI152DTTB1**
Primary Modular Induction Cooktop, 15", 2 Zones with SmartZone

VENTILATION **CD5DB1**
Auxiliary Modular Ventilation, 5"

ACCESSORY **TBC**
Multiple Product Installation Kit



2 2 IN A ROW, WITH MODULAR VENTILATION

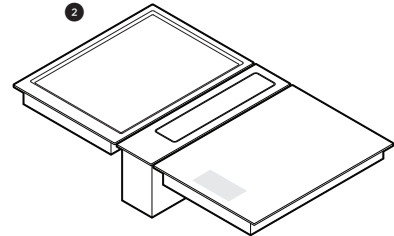
PRIMARY **CI152DTTB1**
Primary Modular Induction Cooktop, 15", 2 Zones with SmartZone

AUXILIARY **CI152DB1**
Auxiliary Modular Induction Cooktop, 15", 2 Zones with SmartZone

CI152DX1
Auxiliary Modular Teppanyaki Cooktop, 15", 2 Zones

VENTILATION **CD5DB1**
Auxiliary Modular Ventilation, 5"

ACCESSORY **TBC**
Multiple Product Installation Kit



3 3 IN A ROW, WITH MODULAR VENTILATION

PRIMARY **CI152DTTB1**
Primary Modular Induction Cooktop, 15", 2 Zones with SmartZone

CI244DTTB1
Primary Modular Induction Cooktop, 24", 4 Zones with SmartZone

AUXILIARY **CI122DB1**
Auxiliary Modular Induction Cooktop, 12", 2 Zones with SmartZone

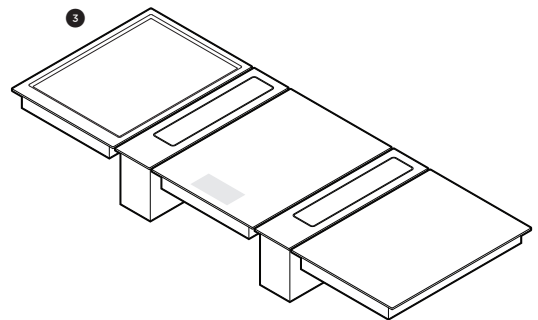
CI152DB1
Auxiliary Modular Induction Cooktop, 15", 2 Zones with SmartZone

CI122DX1
Auxiliary Modular Teppanyaki Cooktop, 12", 2 Zones

CI152DX1
Auxiliary Modular Teppanyaki Cooktop, 15", 2 Zones

VENTILATION **CD5DB1**
Auxiliary Modular Ventilation, 5"

ACCESSORY **TBC**
Multiple Product Installation Kit



FISHER & PAYKEL

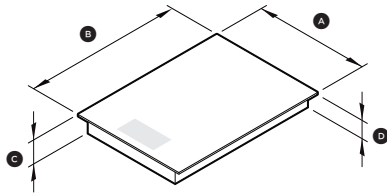
PRELIMINARY SPECIFICATION GUIDE

PRIMARY MODULAR INDUCTION COOKTOP, 15" SERIES 11

SPECIFICATION

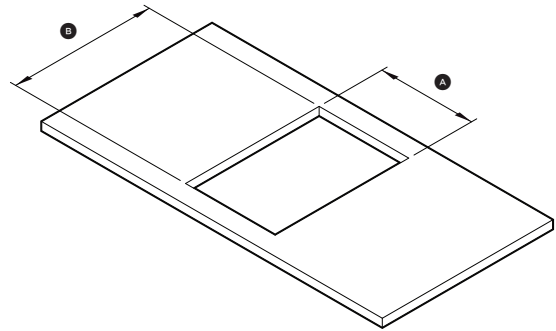
Model No.	CI152DTTB1 Primary Modular Induction Cooktop, 15", 2 Zones with SmartZone
Dimensions	H 2 5/16" W 15 3/16" D 20 7/8"
Electrical	
Supply	208/240V, 60Hz
Service	14/16A

PRODUCT DIMENSIONS



ISO VIEW

COUNTERTOP CUTOUT DIMENSIONS



ISO VIEW

	in	mm
(A) Overall width	15 3/16	385
(B) Overall depth	20 7/8	530
(C) Overall height *	2 5/16	59
(D) Height of chassis	2 2/8	53

* Includes glass

	in	mm
(A) Cutout width	13 11/16	347
(B) Cutout depth	20 1/16	510

IMPORTANT NOTE: Products can be flush mounted, this requires a recess in countertop.

FISHER & PAYKEL

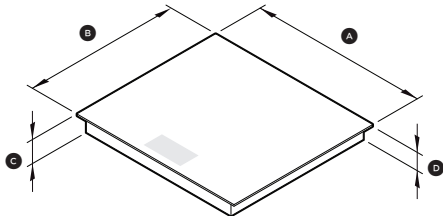
PRELIMINARY SPECIFICATION GUIDE

PRIMARY MODULAR INDUCTION COOKTOP, 24" SERIES 11

SPECIFICATION

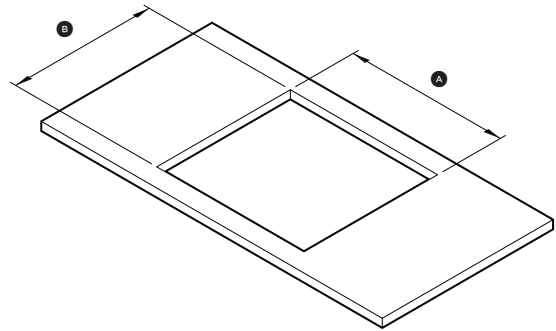
Model No.	CI244DTTB1 Primary Modular Induction Cooktop, 24", 4 Zones with SmartZone
Dimensions	H 3 1/2" W 23 5/8" D 20 7/8"
Electrical	
Supply	208/240V, 60Hz
Service	26/30A

PRODUCT DIMENSIONS



ISO VIEW

COUNTERTOP CUTOUT DIMENSIONS



ISO VIEW

	in	mm
Ⓐ Overall width	23 5/8	600
Ⓑ Overall depth	20 7/8	530
Ⓒ Overall height *	3 1/2	88
Ⓓ Height of chassis	3 1/4	82

* Includes glass

	in	mm
Ⓐ Cutout width **	22 1/8	562
Ⓑ Cutout depth	20 1/16	510

IMPORTANT NOTE: Products can be flush mounted, this requires a recess in countertop.

FISHER & PAYKEL

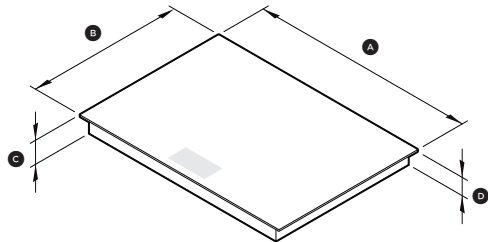
PRELIMINARY SPECIFICATION GUIDE

PRIMARY MODULAR INDUCTION COOKTOP, 30" SERIES 11

SPECIFICATION

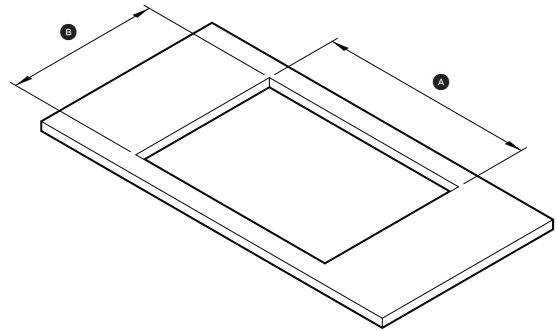
Model No.	CI304DTTB1 Primary Modular Induction Cooktop, 30", 4 Zones with SmartZone
Dimensions	H 3 1/2" W 29 15/16" D 20 7/8"
Electrical	
Supply	208/240V, 60Hz
Service	26/30A

PRODUCT DIMENSIONS



ISO VIEW

COUNTERTOP CUTOUT DIMENSIONS



ISO VIEW

	in	mm
Ⓐ Overall width	29 15/16	760
Ⓑ Overall depth	20 7/8	530
Ⓒ Overall height *	3 1/2	88
Ⓓ Height of chassis	3 1/4	82

* Includes glass

	in	mm
Ⓐ Cutout width	28 7/16	722
Ⓑ Cutout depth	20 1/16	510

IMPORTANT NOTE: Products can be flush mounted, this requires a recess in countertop.

FISHER & PAYKEL

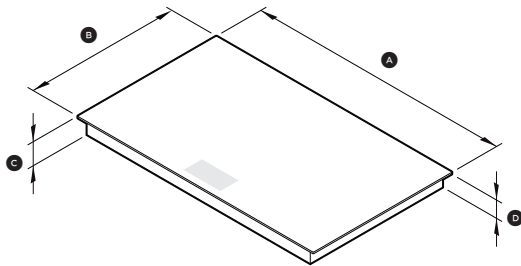
PRELIMINARY SPECIFICATION GUIDE

PRIMARY MODULAR INDUCTION COOKTOP, 36" SERIES 11

SPECIFICATION

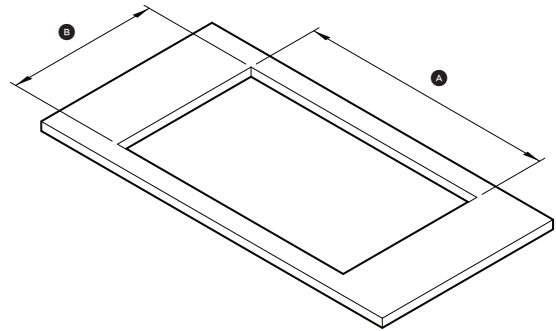
Model No.	CI365DTTB1 Primary Modular Induction Cooktop, 36", 5 Zones with SmartZone
Dimensions	H 3 1/2" W 35 7/16" D 20 7/8"
Electrical	
Supply	208/240V, 60Hz
Service	39/45A

PRODUCT DIMENSIONS



ISO VIEW

COUNTERTOP CUTOUT DIMENSIONS



ISO VIEW

	in	mm
(A) Overall width	35 7/16	900
(B) Overall depth	20 7/8	530
(C) Overall height *	3 1/2	88
(D) Height of chassis	3 1/4	82

* Includes glass

	in	mm
(A) Cutout width	33 15/16	862
(B) Cutout depth	20 1/16	510

IMPORTANT NOTE: Products can be flush mounted, this requires a recess in countertop.

FISHER & PAYKEL

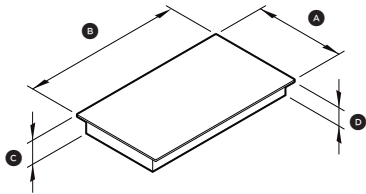
PRELIMINARY SPECIFICATION GUIDE

AUXILIARY MODULAR INDUCTION COOKTOP, 12" SERIES 11

SPECIFICATION

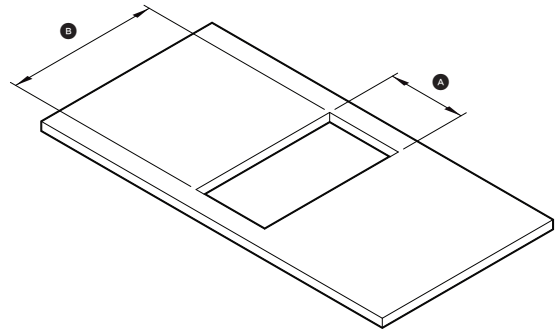
Model No.	CI122DB1 Auxiliary Modular Induction Cooktop, 12", 2 Zones with SmartZone
Dimensions	H 2 5/16" W 11 13/16" D 20 7/8"
Electrical	
Supply	208/240V, 60Hz
Service	14/16A

PRODUCT DIMENSIONS



ISO VIEW

COUNTERTOP CUTOUT DIMENSIONS



ISO VIEW

	in	mm
(A) Overall width	11 13/16	300
(B) Overall depth	20 7/8	530
(C) Overall height *	2 5/16	59
(D) Height of chassis	2 2/8	53

* Includes glass

	in	mm
(A) Cutout width **	10 5/16	262
(B) Cutout depth	20 1/16	510

** Cooktop must be installed with a Primary Modular Cooktop

IMPORTANT NOTE: Products can be flush mounted, this requires a recess in countertop.

FISHER & PAYKEL

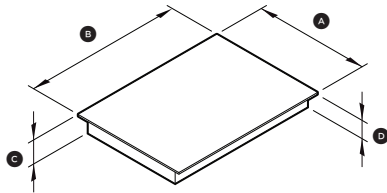
PRELIMINARY SPECIFICATION GUIDE

AUXILIARY MODULAR INDUCTION COOKTOP, 15" SERIES 11

SPECIFICATION

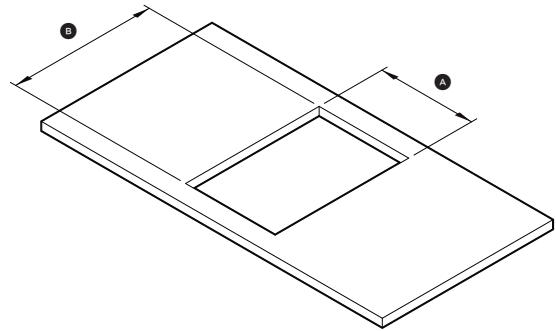
Model No.	CI152DB1 Auxiliary Modular Induction Cooktop, 15", 2 Zones with SmartZone
Dimensions	H 2 5/16" W 15 3/16" D 20 7/8"
Electrical	
Supply	208/240V, 60Hz
Service	14/16A

PRODUCT DIMENSIONS



ISO VIEW

COUNTERTOP CUTOUT DIMENSIONS



ISO VIEW

	in	mm
(A) Overall width	15 3/16	385
(B) Overall depth	20 7/8	530
(C) Overall height *	2 5/16	59
(D) Height of chassis	2 2/8	53

* Includes glass

	in	mm
(A) Cutout width **	13 11/16	347
(B) Cutout depth	20 1/16	510

** Cooktop must be installed with a Primary Modular Cooktop

IMPORTANT NOTE: Products can be flush mounted, this requires a recess in countertop.

FISHER & PAYKEL

PRELIMINARY SPECIFICATION GUIDE

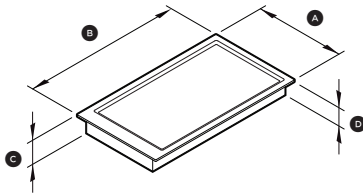
AUXILIARY MODULAR TEPPANYAKI COOKTOP, 12" SERIES 11

SERIES 11

SPECIFICATION

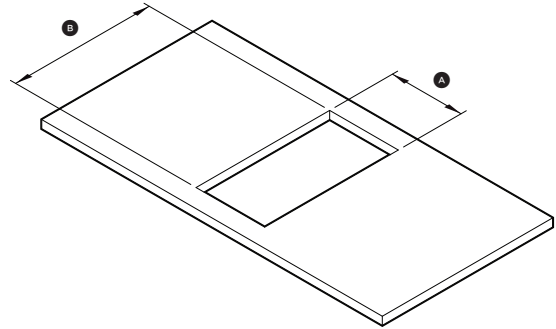
Model No.	CIT122DX1 Auxiliary Modular Teppanyaki Cooktop, 12", 2 Zones
Dimensions	H 3 7/16" W 11 13/16" D 20 7/8"
Electrical	
Supply	208/240V, 60Hz
Service	14/16A

PRODUCT DIMENSIONS



ISO VIEW

COUNTERTOP CUTOUT DIMENSIONS



ISO VIEW

	in	mm
(A) Overall width	11 13/16	300
(B) Overall depth	20 7/8	530
(C) Overall height	3 7/16	87
(D) Height of chassis	3 3/16	81

	in	mm
(A) Cutout width **	10 5/16	262
(B) Cutout depth	20 1/16	510

** Cooktop must be installed with a Primary Modular Cooktop

IMPORTANT NOTE: Products can be flush mounted, this requires a recess in countertop.

FISHER & PAYKEL

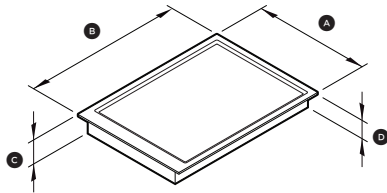
PRELIMINARY SPECIFICATION GUIDE

AUXILIARY MODULAR TEPPANYAKI COOKTOP, 15" SERIES 11

SPECIFICATION

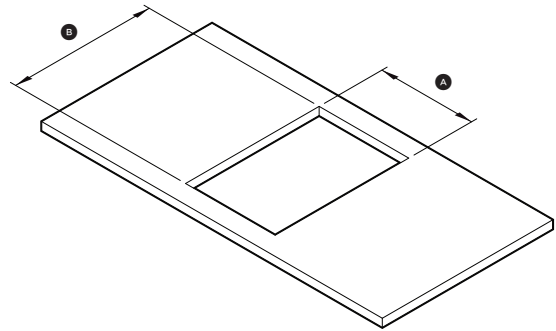
Model No.	CIT152DX1 Auxiliary Modular Teppanyaki Cooktop, 15", 2 Zones
Dimensions	H 3 7/16" W 15 3/16" D 20 7/8"
Electrical	
Supply	208/240V, 60Hz
Service	14/16A

PRODUCT DIMENSIONS



ISO VIEW

COUNTERTOP CUTOUT DIMENSIONS



ISO VIEW

	in	mm
(A) Overall width	15 3/16	385
(B) Overall depth	20 7/8	530
(C) Overall height	3 7/16	87
(D) Height of chassis	3 3/16	81

	in	mm
(A) Cutout width **	13 11/16	347
(B) Cutout depth	20 1/16	510

** Cooktop must be installed with a Primary Modular Cooktop

IMPORTANT NOTE: Products can be flush mounted, this requires a recess in countertop.

FISHER & PAYKEL

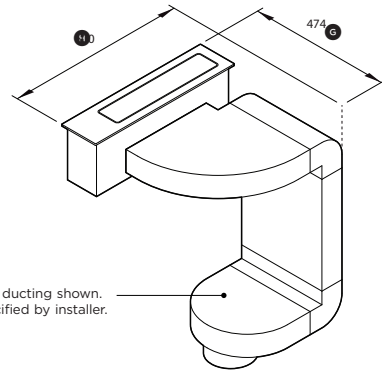
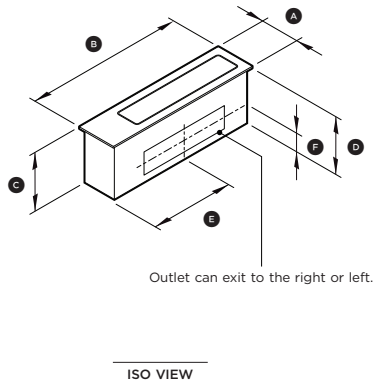
PRELIMINARY SPECIFICATION GUIDE

AUXILIARY MODULAR VENTILATION, 5" SERIES 11

SPECIFICATION

Model No.	CD5DB1 Auxiliary Modular Ventilation, 5", Duct Out
Dimensions	H 7 1/8" W 5 1/8" D 20 7/8"
Electrical	
Supply	120V, 60Hz
Service	2.4A

PRODUCT DIMENSIONS



	in	mm
Ⓐ Overall width	5 1/8	130
Ⓑ Overall depth	20 7/8	530
Ⓒ Overall height *	7 5/16	186
Ⓓ Height of chassis	7 1/8	180
Ⓔ Depth to centre of outlet from front of glass	11	279
Ⓕ Height to centre of outlet	2 7/16	61

INDICATIVE SPACE REQUIRED	in	mm
Ⓖ Indicative width of downdraft and ducting	18 3/4	475
Ⓗ Indicative depth of downdraft and ducting	23 5/8	600

* includes glass

IMPORTANT NOTE: Products can be flush mounted, this requires a recess in countertop.

COUNTERTOP CUTOUT DIMENSIONS

The Auxiliary Modular Ventilation unit is to be installed alongside cooktop/s.

DUCTING CONSIDERATIONS

Sheet metal ducting parts to be specified by installer. Ventilation outlets accommodate 12" x 3" ducting profiles.

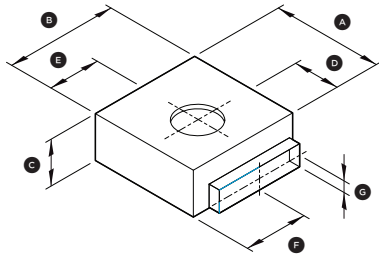
FISHER & PAYKEL

PRELIMINARY SPECIFICATION GUIDE

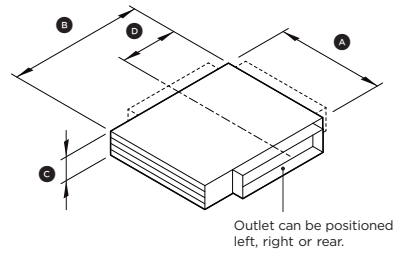
MODULAR VENTILATION COMPONENTS

SERIES 11

BLOWER BOX - SUPPLIED



RECIRCULATION KIT - OPTIONAL



BLOWER BOX	in	mm
Ⓐ Width of blower box	14 3/4	374
Ⓑ Depth of blower box	14 15/16	379
Ⓒ Height of blower box	6 1/8	155
Ⓓ Width to centre of inlet	6 1/4	158
Ⓔ Depth to centre of inlet	6 7/8	174
Ⓕ Depth to centre of outlet	8 7/16	214
Ⓖ Height to centre of outlet	1 5/8	41

RECIRCULATION BOX - KRCD5D	in	mm
Ⓐ Width of recirculation box	TBC	TBC
Ⓑ Depth of recirculation box	TBC	TBC
Ⓒ Height of recirculation box	3 1/8	79
Ⓓ Depth to centre of outlet	TBC	TBC