

CHS995SELSS

GE Profile™ Series 30" Slide-In Front Control Induction and Convection Double Oven Range

DIMENSIONS AND INSTALLATION INFORMATION (IN INCHES)

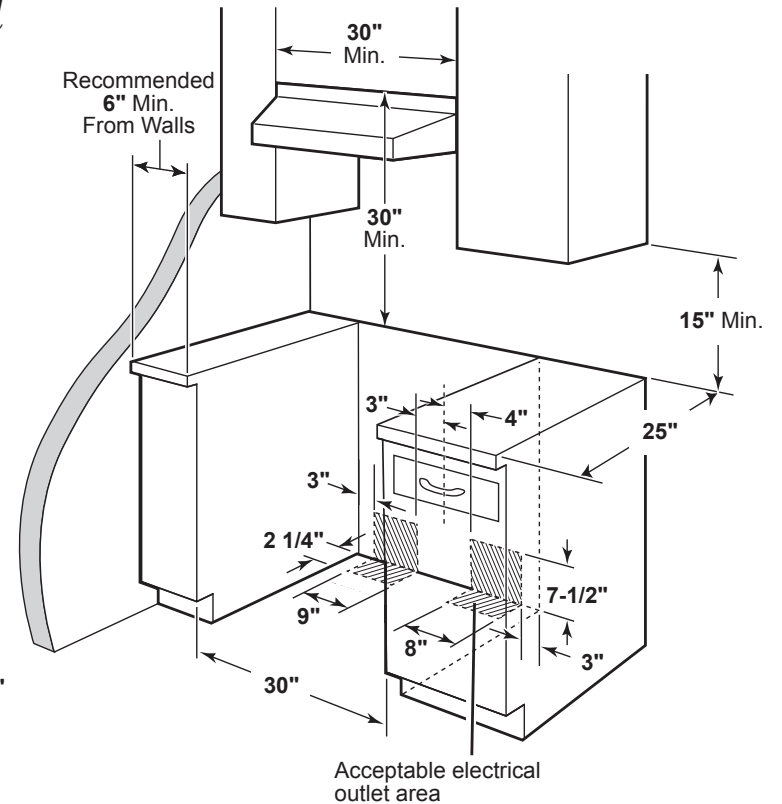
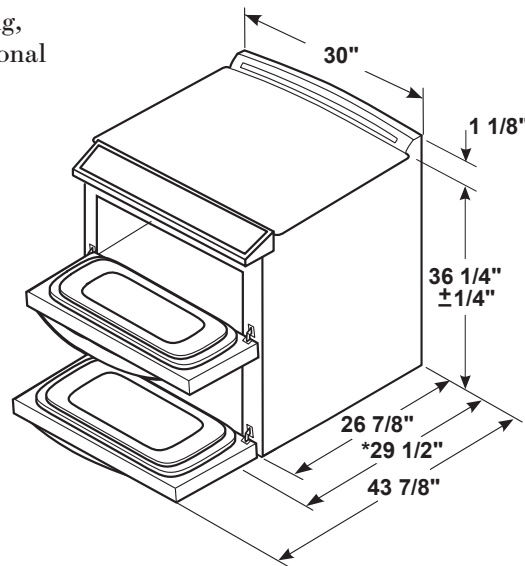
RECEPTACLE LOCATIONS: Locally approved flexible service cord or conduit must be used because terminals are not accessible after range installation. See shaded area in drawing for location of electrical outlet box. Recommended outlet locations allow range to be installed directly against rear wall.

NOTE: This appliance has been approved for 0" spacing to adjacent surfaces above the cooktop. However, a 6" minimum spacing to surfaces less than 15" above the cooktop and adjacent cabinet is recommended to reduce exposure to steam, grease splatter and heat.

INSTALLATION INFORMATION: Before installing, consult installation instructions for current dimensional data and additional requirements

KW RATING	
240V	15.5
208V	11.6
BREAKER SIZE	
240V	40 Amps [†]
208V	40 Amps [†]

[†]**NOTE:** Check local codes for required breaker size.



For answers to your Monogram, GE Café™ Series, GE Profile™ Series or GE Appliances product questions, visit our website at geappliances.com or call GE Answer Center® Service, 800.626.2000.



All GE ranges are equipped with an Anti-Tip device. The installation of this device is an important, required step in the installation of the range.



CHS995SELSS

GE Profile™ Series 30" Slide-In Front Control Induction and Convection Double Oven Range

FEATURES AND BENEFITS

Induction cooktop technology - Innovative, fast, efficient cooking

11" 3700-watt induction element - Powerful enough to boil a quart of water in 101 seconds yet gentle enough for delicate sauces

Precision cooking probe - Confidently cook delicate sauces, fondues and cheeses to their exact temperatures

LED backlit knobs - An already sleek cooktop is enhanced by the impressive look of these knobs

Wifi Connect - Wirelessly control oven functions from your smartphone

Chef Connect - Three options with a single touch. For instant convenience, choose when to automatically sync clocks and the range elements with the microwave's surface light and vent

Two 8" 2500-watt synchronized elements - Control two 8" elements simultaneously to evenly heat large cookware or griddles

Smooth-glide warming drawer - Perfectly warm crispy chips and breads or keep side dishes warm until dinner is served

True European Convection with Precise Air - Accurate heat circulation ensures evenly baked foods

Self-clean, heavy-duty roller rack- Easily access items with racks that glide smoothly

7.0 cu. ft. total double oven capacity - An upper everyday oven preheats quickly while the larger lower oven is perfect for dinner parties and large meals

Model CHS995SELSS - Stainless steel



GUARANTEED FIT

Replace your old 30" free-standing range with a new 30" slide-in model.

GE slide-in ranges are guaranteed for an exact fit to make replacement easy

Visit geappliances.com for more info

