

# 30"

## CULINARIAN SERIES



### RANGE-TOP



Power Burner



### CGRT304



Cast Iron Wok Grate  
Accessory

#### 30" RANGE-TOP FEATURES

- \* ALL BURNERS ARE RATED AT 23,000 Btu / hr to deliver intense commercial kitchen heat to sauté food and all burners are capable of turning down to give 145° F simmer.
- \* Quality Cast Iron Grates and Burners Porcelain Coated.
- \* EZ-Glides™ - Full extension removable drip trays mounted on ball bearing rails.
- \* Stay-Cool™ - Die cast, chrome plated metal knobs with Black Trims (cabernet red optional).
- Auto-ignition/re-ignition on all burners.

#### AVAILABLE ACCESSORIES

- PSVH30L - 30" Performance Series vent hood w/ 600 . CFM blower + lights.
- Duct covers.
- Conversion kits.
- Birch wood chopping blocks.
- Cabernet Red knobs.
- P30SLB - 9" stainless steel wall mount low back.
- P30SHS - 18" stainless steel wall mount high shelf.
- CWR Cast Iron Wok Grate.

#### SHIPPING WEIGHT

210 LBS

#### ELECTRICAL RATINGS

VOLTAGE	CURRENT/POWER	FREQUENCY
120 VAC	15 AMP	60 HZ

#### GAS RATINGS

	NATURAL GAS	PROPANE
Manifold pressure:	5.0" W.C.	10" W.C.

\* Capital Exclusive Features





**Power-Flo OpenTop Burner**  
23,000 btus/hr



**Simmer**  
turning down to give 145° F



**Optional Cabernet**  
red knobs



**Cast Iron Wok Grate**  
Accessory



**High Quality**  
Porcelainized Top Grate

## WARRANTY

ONE (1) Year full parts and labor covers entire product. (Light bulbs covered for 60 days after installation)

FIVE (5) Years limited part replacement warranty. Covers part replacement, as noted below, due to malfunction during normal operation.

Ranges\*, Range Tops\*, & Ovens\*: All Burners, Heating Elements, Grates\*, Griddle Plates, & Oven Racks

Barbeques: Gas Valves & all burners (excluding infrared burners)

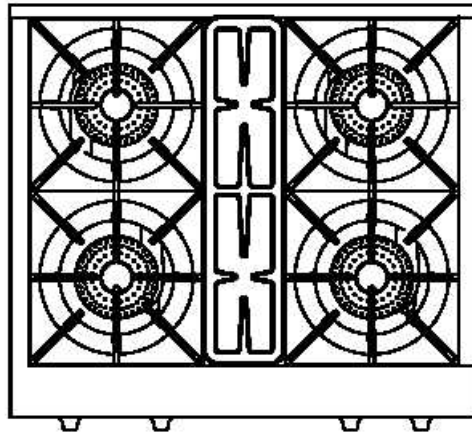
\*Excludes Porcelain Enamel Coating for ovens and grates. Porcelain enamel is prone to wear over time and use.

LIFETIME warranty (non-transferable) on stainless steel sheet metal body parts against rust. (Excludes damage and normal heat discoloration). Does not include barbeque grates.

0" clearance base cabinet installation

Field convertible to LP or NG depending on gas type

## 30" RANGE-TOP



**CGRT304 – 30"**  
Four-burner gas convection range



Capital Cooking Equipment Inc.  
13211 Florence Ave.  
Santa Fe Springs, CA 90670

Phone: 562-903-1168  
Toll Free: 866-402-4600  
email: [customerservice@capital-cooking.com](mailto:customerservice@capital-cooking.com)

Made in the U.S.A.  
Visit our web site: [www.capital-cooking.com](http://www.capital-cooking.com)  
© 2010 Capital Cooking Equipment, Inc.

# CUT-OUT DIMENSIONS

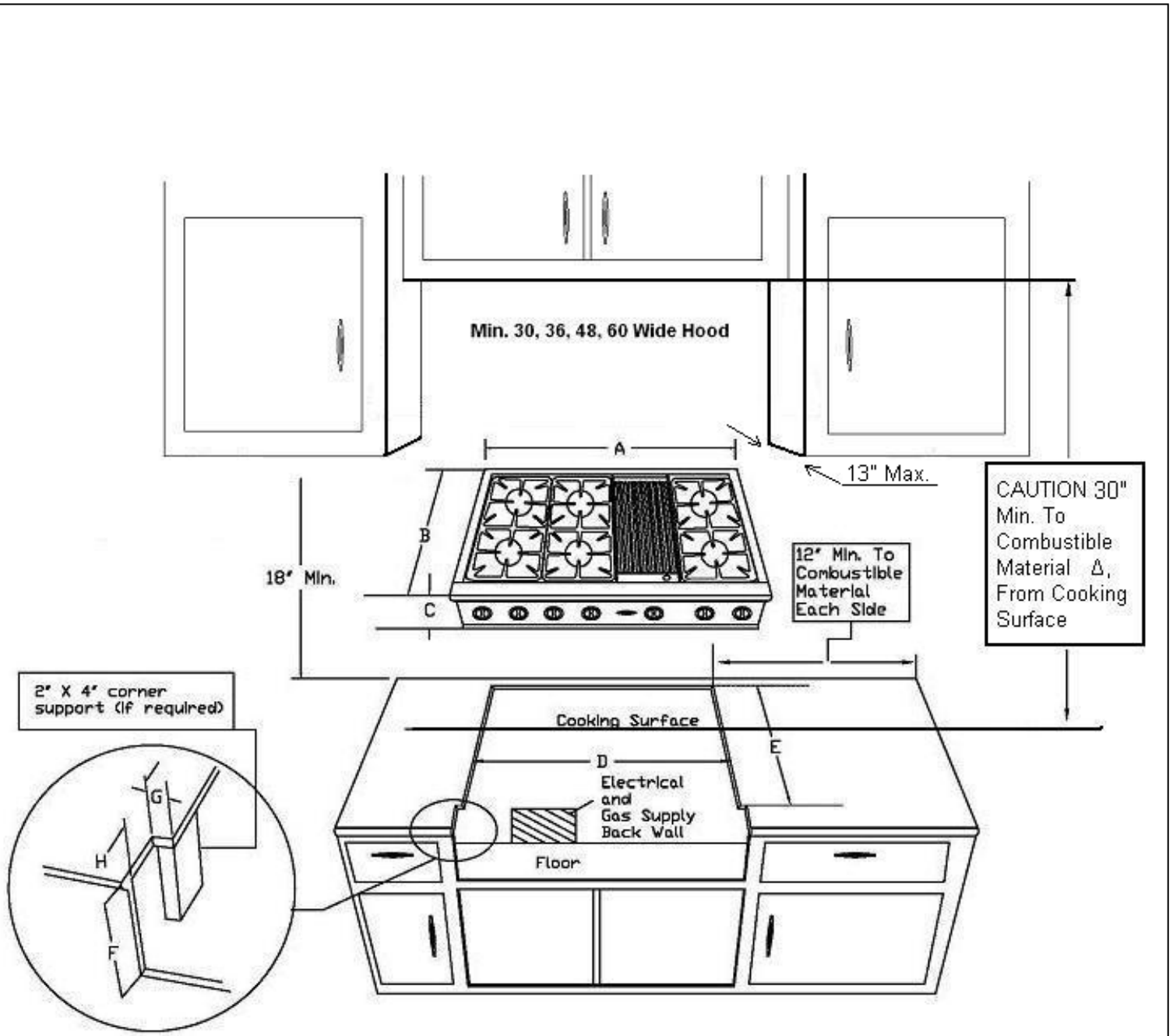


FIG 1

MODELS	A	B	C	D	E	F	G	H
CGRT30 Models	29-7/8	26-5/8	8-5/16	28-15/16	23-1/8	7-1/2	1/2	2-1/2
CGRT36 Models	35-7/8	26-5/8	8-5/16	34-15/16	23-1/8	7-1/2	1/2	2-1/2
CGRT48 Models	47-7/8	26-5/8	8-5/16	46-15/16	23-1/8	7-1/2	1/2	2-1/2
CGRT60 Models	59-7/8	26-5/8	8-5/16	58-15/16	23-1/8	7-1/2	1/2	2-1/2



# RANGETOP & BACK GUARD DIMENSIONS

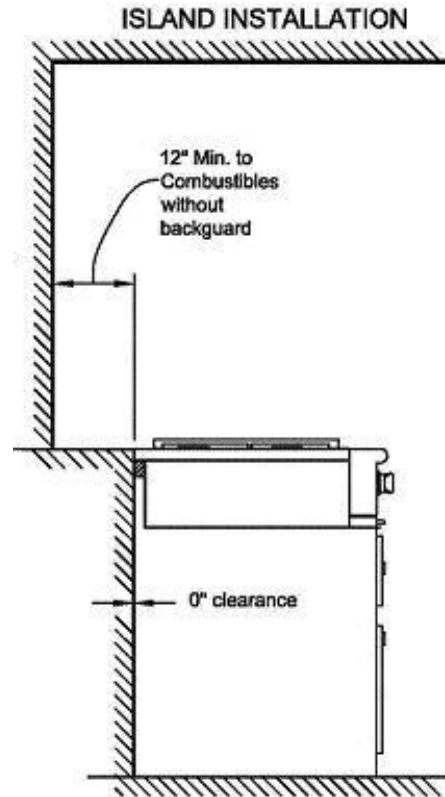
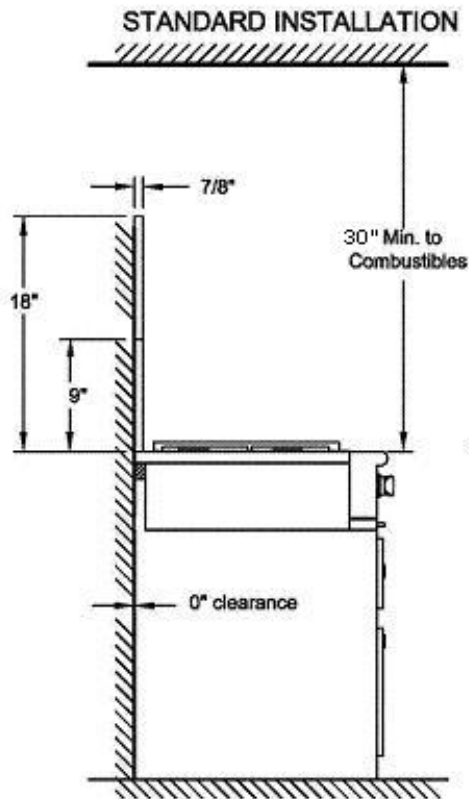


FIG 4  
RANGE TOP

