



CG 280 210CA

Stainless steel
Natural gas
Width 30" (76 cm)

Available April 2015

200 series gas cooktop
CG 280

- Five sealed brass burners with up to 47,200 BTU.
- Centralized controls for ease of use and operation.
- Sturdy stainless steel material with large, professional front-control knobs.
- For surface-mount installation.

Cooking zones

- 1 large center brass burner with output of 18,000 BTU.
- 2 high output brass burners with output of 10,000 BTU.
- 2 standard brass burners with output of up to 5,500 BTU.

Operation

Control knobs with ring and output marking.
Gas valve with fine control.

Features

Cast-iron grates with flat, continuous surface.
Sintered metal burners that are sealed to prevent spills from entering the burner box.
LP kit for conversion to LP gas included.

Safety

Automatic re-ignition.
Quick ignition.

Planning notes

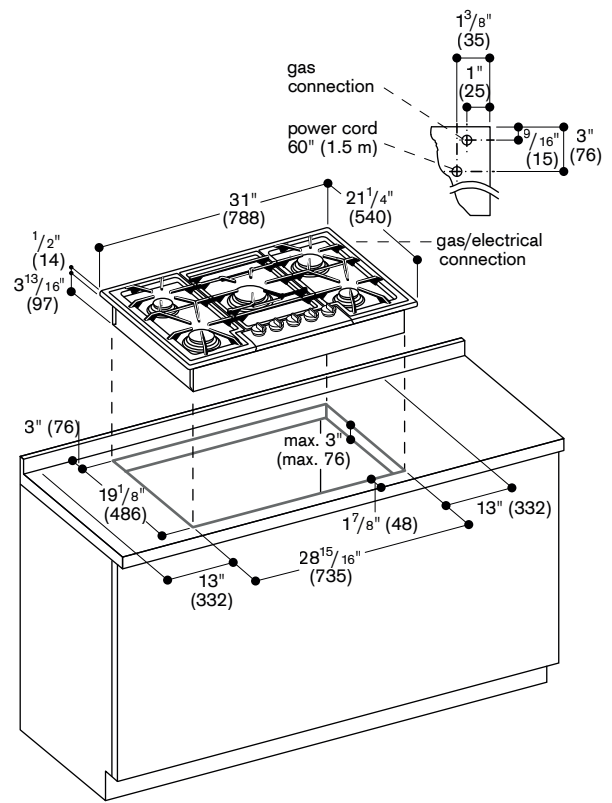
Minimum distance between gas cooktop and ventilation must be at least 30".

Built-in ovens can be installed below the gas cooktop as long as there is no contact between the bottom of the cooktop and the top of the oven.

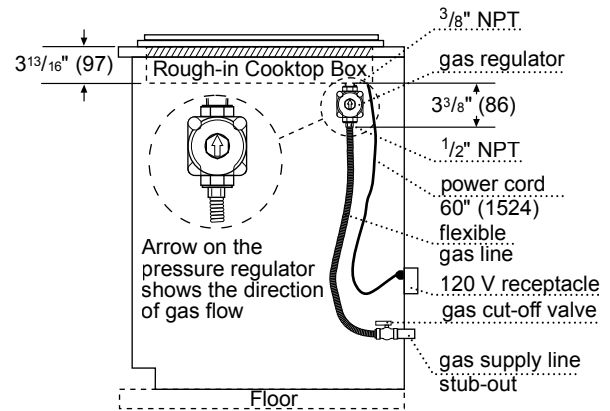
The appliance must be set up and connected in accordance with the applicable installation specifications. A ventilation hood must be switched on during operation of the gas cooktop. The rear panel must consist of a non-flammable material. Wall trims must be heat resistant. Minimum distance from rear wall to cooktop must be 3" and minimum distance from cooktop to counter front must be 1 7/8".

Rating

Total rating: 47,200 BTU.
Total Amps: 15 A.
120 V / 60Hz
Connecting cable 60" with ground plug.



Side view gas cooktop installation



Numbers indicated inside parenthesis () = mm