

# LG SIGNATURE

## CBIU3639BE

LG SIGNATURE 36" Induction Cooktop

Black Ceramic Glass  
 LCD Display  
 Black Ceramic Glass  
 SmartDiagnosis™  
 ENERGY STAR® Certified  
 ThinQ®



Control



Angel View



ThinQ App

### SUMMARY

Type	36" Induction Cooktop
No. of Burners	5
Color	Black

### COOKTOP FEATURES

Cooktop Burner Type	Induction
No. of Burners	5
Burner/Watts - Left Rear	1850 / 3700 (8 1/2" x 7 1/8")
Burner/Watts - Right Rear	1400 / 1800 (6")
Burner/Watts - Left Front	1850 / 3700 (8 1/2" x 7 1/8")
Burner/Watts - Right Front	1850 / 3700 (8 3/16")
Center (Watts)	3700 / 6000 (11 1/8")
Burner/Watts - Left Flex	3300 / 3700 (8 1/2" x 14 3/16")
Cooktop Finish	Black Ceramic Glass

### CONTROL

Cooktop Control Type	Glass Touch (SmoothTouch™)
Display	LCD (6.86")
Power Level Settings	9/17 Level + Simmer/Melt (1 Level)
Control Location	Front-Center

### POWER AND RATING

Amp at 208/240V	41.6 A / 44.4 A
kW at 208/240V	8.650 kW / 10.650 kW
Requirements	208 / 240 VAC 60Hz

### APPEARANCES

Available Colors	Black
------------------	-------

### ACCESSORIES

Broiler Pan	No
Griddle	No
Meat Probe	No
Heavy Duty Rack	No
Gliding Rack	No
Cook Book	No
Spray Bottle	No

### SMART FEATURES

ThinQ® (Wi-Fi Enabled)	Yes
ThinQ Up	Yes
Check & Control	No
Voice Control	No
Smart Recipe (3rd Party Recipe App)	No (ThinQ Up Recipe only)
Proactive Customer Care	Yes
SmartDiagnosis™	Yes
NFC Tag On	No

### ENERGY

ENERGY STAR® Certified	Yes
Energy Consumption (kWh/Year)	189

### DIMENSIONS / CLEARANCES/ WEIGHT

Product Dimensions (WxHxD)	36 5/8" x 3 11/16" x 21 1/16"
Cut-Out (WxHxD)	33 7/8" x 5 3/4" x 19 1/8"
Packing (WxHxD)	39 9/16" x 5 7/16" x 24 5/16"
Product Weight (lbs)	48.68 lbs (22.08 kg)
Shipping Weight (lbs)	55.69 lbs (25.26 kg)

### LIMITED WARRANTY

Parts and Labor	2 Year
-----------------	--------

### UPC CODE

CBIU3639BE	048231349987
------------	--------------

KEY FEATURES

PRODUCT FEATURES

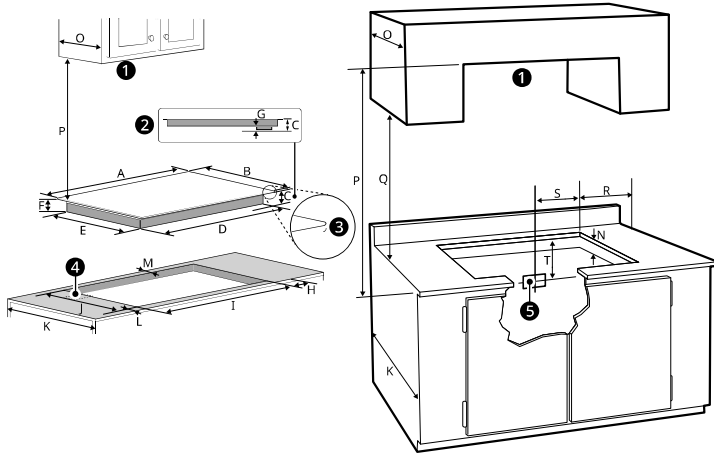
## CBIU3639BE

## 36" Induction Cooktop

## QUICK INSTALL &amp; CLEARANCES

For full installation directions/clearances please refer to the corresponding User Manual and Installation Guide.

## PRODUCT DIMENSIONS



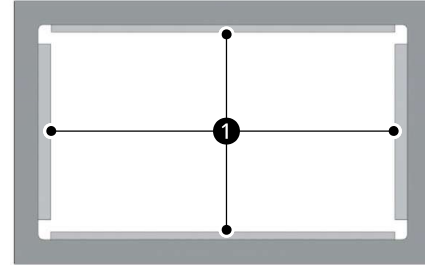
- ❶ Do not obstruct these areas
- ❷ Right Side
- ❸ Radius: 3/8" (10mm)
- ❹ 4"x8" (102mm x 203mm) opening to route armored cable if panel is present
- ❺ Approximate location of junction box

DIMENSION / CLEARANCE	36" Cooktop (Standard Installation)
A Width of upper plate	36 5/8" (930 mm)
B Depth of upper plate	21 1/16" (535 mm)
C Distance from bottom of upper plate to bottom of conduit	3 9/16" (90 mm)
D Width of cooktop base	33 1/2" (851mm)
E Depth of cooktop base	18 13/16" (477mm)
F Distance from bottom of upper plate to bottom of cooktop base	2 7/16" (61mm)
G Height of conduit	1 1/8" (29mm)
H Distance from side edge of cutout to side of counter	1 1/8" (28mm)
I Width of cutout	≥33 7/8" (860 mm) ≤33 15/16" (863mm)
J Depth of cutout	≥19 1/8" (486 mm) ≤19 3/16" (488mm)
K Depth of bottom cabinets	23 1/8" (593mm)
L Distance from front of counter to front edge of cutout	≥2 3/16" (55mm)
M Distance from rear edge of cutout to nearest combustible surface	≥2 1/16" (52mm)
N Height below cutout (Empty space is needed underneath the cooktop for optimum performance.)	≥5 3/4" (146mm)
O Depth of overhead cabinets	≤13" (330mm)
P Clearance from top of cooking surface to bottom of overhead cabinets	≥30" (762mm)
Q Clearance from top of cooking surface to bottom of overhead cabinets	≥36" (914mm)
R Clearance from countertop to bottom of adjacent cabinets	≥18" (457mm)
S Distance from edge of cooktop to nearest combustible wall (either side of unit)	≥2" (50mm)
T Junction box (approximate location)	12" (305mm)
U Junction box (approximate location)	10" (254mm)

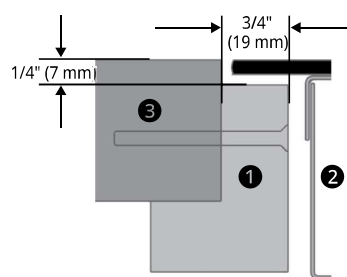
## INSTALLATION

## Cleft Option

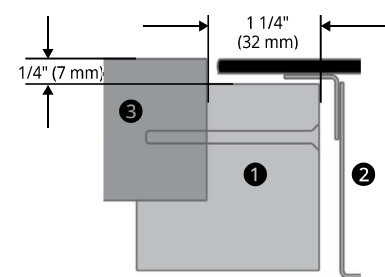
For this installation, the countertop cut-out will be the same size as the outer edge of the cooktop glass. Attach L-shaped support cleats ❶ to the perimeter of the countertop cut-out. The top edge of the cleft will be attached 1/4" (7 mm) below the surface of the countertop. Refer to the illustration below. Attach the cleats to the countertop. Consult a countertop supplier for proper methods of attachment.



## L-shaped Cleft (Front &amp; Back)



## L-shaped Cleft (Right &amp; Left)



- ❶ L-Shaped Support Cleat
- ❷ Cooktop
- ❸ Counter Top - All dimensions are stated in inches and millimeters (mm).

Allow 2" (50 mm) below the armored cable opening to clear the electric cable and allow space for installation of the junction box on the wall at the back of the cooktop. Thickness of glass: 3/16" (4 mm)

## CAUTION

- To eliminate the risk of burns or fire by reaching over heated surfaces, cabinet storage space located above the cooktop should be avoided. If cabinet storage is provided, risk can be reduced by installing a range hood that projects horizontally a minimum of 5" (127 mm) beyond the face of the cabinets.
- It is very important to keep 3 5/16" (85 mm) distance between the cooktop and a drawer or oven ❶ underneath it.

