
BERTAZZONI PROFESSIONAL SERIES
BERTAZZONI MASTER SERIES
BERTAZZONI HERITAGE SERIES

REFRIGERATORS AND DISHWASHERS
USA & CANADA



The Bertazzoni brand is rooted in Italian engineering and design, the 130-year family history, and a love of regional food. Bertazzoni premium cooking machines are busy at work in kitchens around the world.

To give customers a wider choice of compatible appliances, Bertazzoni has created a full-line package with a single integrated look. This new product category of refrigerators and dishwashers introduces a harmonious suite of carefully coordinated products.

ENGINEERED FOR SEAMLESS COMPATIBILITY

The Bertazzoni French Door Refrigerator and integrated Dishwasher are available in the Professional Series, Master Series and Heritage Series.

Bertazzoni engineers specified the technology and quality of materials, and designed the exteriors to visually align with the cooking machines. All new products have been carefully selected by Bertazzoni and display the distinctive badge.

This detail from the Professional Series Refrigerator shows the alignment and functionality of the stainless steel handles.



Contemporary design and robust construction make the Bertazzoni Refrigerator and Dishwasher seamless additions to the Professional Series.





Every aspect of a Bertazzoni product is driven by engineering excellence. Quality materials, ergonomic design, and solid construction deliver sturdy and efficient kitchens that are fit for purpose.



*The Bertazzoni Refrigerator and Dishwasher
are compatible with the generous styling and
precision engineering of the Master Series.*





The signature handles of the Bertazzoni Master Series have a friendly feel that invites interaction. The thoughtful design, quality materials and sympathetic styling work in harmony to create an understated efficiency.



The reliable durability of the Bertazzoni Refrigerator and Dishwasher is reflected in the traditional lines and classic appeal of the Heritage Series.





Bertazzoni engineering has a 130 history of continuous improvement using pioneering design and manufacturing techniques. The Heritage Series combines Bertazzoni's roots with contemporary technology to produce fully compatible kitchens.



BERTAZZONI EXPERTISE DELIVERS GREATER FLEXIBILITY

The French Door Refrigerator and integrated Dishwasher have been selected by Bertazzoni engineers enabling homeowners to build their own kitchen suites combining different products with matching aesthetics. They are packed with useful features that deliver outstanding performance.

DISHWASHER DW24 XV FEATURES

STYLE & SIZE

24" panel installed Dishwasher.

ENERGY STAR

Energy Star compliant with average consumption of 249kW/yr.

SOUND INSULATION

Super-quiet performance of 48db(A).

SANI BOOST

Washing temperature can be boosted to 158°F.

LIFT-UP BASKET

Height of the upper basket is adjustable with easy one-touch motion for increased loading capacity in the lower basket.

INTERFACE

Concealed white LED touch display with 5 options.

WASH OPTIONS

4 wash options - Extra Dry, Sani Boost, Hi Temp and 24 hour Delay Start.

WASH CYCLES

6 Wash Cycles - Heavy, Auto, Normal, Quick, Eco and Rinse.

PLACE SETTINGS

This model can wash 14 place settings.

FOOD DISPOSER

A triple-stage filter with a food disposer is in the water recirculation pump.

UPPER AND LOWER BASKETS

Stainless steel baskets with foldable racks cover 50% of the area. The 3-section lower basket includes bottle holder.



DISHWASHER DW24 XT FEATURES

STYLE & SIZE

24" panel installed Dishwasher.

ENERGY STAR

Energy Star compliant with average consumption of 249kW/yr.

SOUND INSULATION

Extra-quiet performance of 45db(A).

SANI BOOST

Washing temperature can be boosted to 158°F.

LIFT-UP BASKET

Height of the upper basket is adjustable with easy one-touch motion for increased loading capacity in the lower basket.

INTERFACE

Concealed white LED touch display with 5 options.

WASH OPTIONS

5 wash options - Power Zone, Extra Dry, Sani Boost, Hi Temp and 24 hour Delay Start.

WASH CYCLES

6 Wash Cycles - Heavy, Auto, Normal, Quick, Eco and Rinse.

PLACE SETTINGS

This model can wash 16 place settings.

POWER ZONE

The high-pressure rotating sprayer arm removes tough deposits.

LED LIGHTING

Two interior LED lights facilitate loading and unloading.

FLEXIBLE TOP DRAWER

This rack for 16-place settings has a dedicated sprayer. The upper rack is split into sliding / folding sections for loading tall items.







REFRIGERATOR REF36X FEATURES

STYLE & SIZE
36" free-standing French Door Cabinet-Depth Refrigerator.

SUPER FREEZE
Thanks to the DC inverter compressor, the super-freeze mode is 20% faster than standard refrigerators.

CAPACITY
The refrigerator section is 15 cubic feet, and the freezer offers 6 cubic feet.

COMPARTMENTS
1 small and 2 large bins with independent humidity control preserve flavours and keep food moist.

FOLDABLE SHELF
6 tempered glass shelves have spill-proof edges. A special folding shelf allows storage for tall items.

GALLON-SIZE STORAGE
4 height-adjustable shelves in the door are designed for gallon-size storage

The generous 36" French doors and well-lit interior facilitate easy access. The intuitive digital interface controls 4 functions – Super Freeze, Ice Maker, Holiday Mode and Eco mode.



TEMPERATURE CONTROLLED CRISPER

The closed compartment with separate temperature control 32° to 41° F is perfect for meat, fish or vegetables.

AUTOMATIC ICE MAKER

This produces 2.6 lbs/24h of ice with automatic release and removable tray.

DUAL AIR-COOLING SYSTEM

Independent No-Frost system for refrigerator and freezer compartments enables optimization of temperature and humidity control.

FREEZER DRAWERS

Two separate freezer drawers with extra smooth hinges offer maximum flexibility.



Bertazzoni engineering coupled with sophisticated refrigeration technology delivers options for the user. Precise temperature and humidity can be programmed in and controlled by a slider.



SPECIFICATIONS

The Refrigerator and Dishwasher have been specified by Bertazzoni engineers and use the latest technology and manufacturing techniques to deliver a superb user experience.

REFRIGERATORS



REF36 X + PRO HK36 REF
36" FREESTANDING FRENCH DOOR



REF36 X + MAS HK36 REF
36" FREESTANDING FRENCH DOOR



REF36 X + HER HK36 REF
36" FREESTANDING FRENCH DOOR

FEATURES	
Style	french door with two separate freezer drawers
Finish	stainless steel, no fingerprint
Handle styles	Professional series
Interface	interior LED touch-interface
Lighting	LED lights on sides and top part of the cabinet
Open door alarm	yes
Temperature controlled crisper	yes
Shelves	2 stationary, 4 height-adjustable
Foldable glass shelf	yes (1)
Drawers refrigerator	2 large + 1 small (humidity controlled)
Drawers freezer	2
Tray freezer	1 for ice cubes collection
Door storage compartment	2 stationary + 4 gallon-sized and height-adjustable
Ice maker	automatic, 2,6 lbs/24 hr capacity of ice
Program options	super freeze, ice maker on/off, holiday mode, eco mode
TECHNICAL SPECIFICATIONS	
Voltage, frequency	115V, 60Hz
Max amp usage, power rating	2.7A, 140W
DOE compliant	yes
Certification	UL
Warranty	2 years parts and labor
CAPACITY	
Refrigeration capacity	15 cu.ft
Freezer capacity	6 cu.ft
Total capacity	21 cu.ft
DIMENSIONS	
Depth with handles	30" 3/4
Depth without handles	28" 1/2
Depth corpus	24" 5/8
Height	70"
Width	35" 7/8
Counter Depth	yes

Style	french door with two separate freezer drawers
Finish	stainless steel, no fingerprint
Handle styles	Master series
Interface	interior LED touch-interface
Lighting	LED lights on sides and top part of the cabinet
Open door alarm	yes
Temperature controlled crisper	yes
Shelves	2 stationary, 4 height-adjustable
Foldable glass shelf	yes (1)
Drawers refrigerator	2 large + 1 small (humidity controlled)
Drawers freezer	2
Tray freezer	1 for ice cubes collection
Door storage compartment	2 stationary + 4 gallon-sized and height-adjustable
Ice maker	automatic, 2,6 lbs/24 hr capacity of ice
Program options	super freeze, ice maker on/off, holiday mode, eco mode
TECHNICAL SPECIFICATIONS	
Voltage, frequency	115V, 60Hz
Max amp usage, power rating	2.7A, 140W
DOE compliant	yes
Certification	UL
Warranty	2 years parts and labor
CAPACITY	
Refrigeration capacity	15 cu.ft
Freezer capacity	6 cu.ft
Total capacity	21 cu.ft
DIMENSIONS	
Depth with handles	30" 3/4
Depth without handles	28" 1/2
Depth corpus	24" 5/8
Height	70"
Width	35" 7/8
Counter Depth	yes

Style	french door with two separate freezer drawers
Finish	stainless steel, no fingerprint
Handle styles	Heritage series
Interface	interior LED touch-interface
Lighting	LED lights on sides and top part of the cabinet
Open door alarm	yes
Temperature controlled crisper	yes
Shelves	2 stationary, 4 height-adjustable
Foldable glass shelf	yes (1)
Drawers refrigerator	2 large + 1 small (humidity controlled)
Drawers freezer	2
Tray freezer	1 for ice cubes collection
Door storage compartment	2 stationary + 4 gallon-sized and height-adjustable
Ice maker	automatic, 2,6 lbs/24 hr capacity of ice
Program options	super freeze, ice maker on/off, holiday mode, eco mode
TECHNICAL SPECIFICATIONS	
Voltage, frequency	115V, 60Hz
Max amp usage, power rating	2.7A, 140W
DOE compliant	yes
Certification	UL
Warranty	2 years parts and labor
CAPACITY	
Refrigeration capacity	15 cu.ft
Freezer capacity	6 cu.ft
Total capacity	21 cu.ft
DIMENSIONS	
Depth with handles	30" 3/4
Depth without handles	28" 1/2
Depth corpus	24" 5/8
Height	70"
Width	35" 7/8
Counter Depth	yes

Style	french door with two separate freezer drawers
Finish	stainless steel, no fingerprint
Handle styles	Heritage series
Interface	interior LED touch-interface
Lighting	LED lights on sides and top part of the cabinet
Open door alarm	yes
Temperature controlled crisper	yes
Shelves	2 stationary, 4 height-adjustable
Foldable glass shelf	yes (1)
Drawers refrigerator	2 large + 1 small (humidity controlled)
Drawers freezer	2
Tray freezer	1 for ice cubes collection
Door storage compartment	2 stationary + 4 gallon-sized and height-adjustable
Ice maker	automatic, 2,6 lbs/24 hr capacity of ice
Program options	super freeze, ice maker on/off, holiday mode, eco mode
TECHNICAL SPECIFICATIONS	
Voltage, frequency	115V, 60Hz
Max amp usage, power rating	2.7A, 140W
DOE compliant	yes
Certification	UL
Warranty	2 years parts and labor
CAPACITY	
Refrigeration capacity	15 cu.ft
Freezer capacity	6 cu.ft
Total capacity	21 cu.ft
DIMENSIONS	
Depth with handles	30" 3/4
Depth without handles	28" 1/2
Depth corpus	24" 5/8
Height	70"
Width	35" 7/8
Counter Depth	yes

DISHWASHERS



DW24XT + PRO HK24DW
24" PANEL INSTALLED



DW24XT + MAS HK24DW
24" PANEL INSTALLED



DW24XT + HER HK24DW
24" PANEL INSTALLED

FEATURES

Style	factory installed panel
Finish	stainless steel, no fingerprint
Handle styles	Professional series
Controls	concealed
Interface	LED touch
Energy star certification	yes, 249kw/yr
Sound insulation	45 db(A)
Place setting	16
Wash cycles	6 (Heavy, Auto, Normal, Quick, Eco, Rinse)
Wash options	5 (power zone, extra dry, sani boost, hi temp, delay start 24h)
Drying system	turbo drying
Filter system	triple plastic and stainless steel
Food disposer	yes
Spray arms	4 (including power zone)
Number of racks	3 including Flexible Top Drawer
Interior illuminations	yes – 2 LED lights

TECHNICAL SPECIFICATIONS

Voltage, frequency	115V, 60Hz
Max Amp Usage, power rating	8.4A, 975W
Certification	UL
Warranty	2 years parts and labor

DIMENSIONS

Depth	24" 1/2
Depth without door	22" 1/2
Height	33" 3/4
Width	23" 3/4

FEATURES

Style	factory installed panel
Finish	stainless steel, no fingerprint
Handle styles	Master series
Controls	concealed
Interface	LED touch
Energy star certification	yes, 249kw/yr
Sound insulation	45 db(A)
Place setting	16
Wash cycles	6 (Heavy, Auto, Normal, Quick, Eco, Rinse)
Wash options	5 (power zone, extra dry, sani boost, hi temp, delay start 24h)
Drying system	turbo drying
Filter system	triple plastic and stainless steel
Food disposer	yes
Spray arms	4 (including power zone)
Number of racks	3 including Flexible Top Drawer
Interior illuminations	yes – 2 LED lights

TECHNICAL SPECIFICATIONS

Voltage, frequency	115V, 60Hz
Max Amp Usage, power rating	8.4A, 975W
Certification	UL
Warranty	2 years parts and labor

DIMENSIONS

Depth	24" 1/2
Depth without door	22" 1/2
Height	33" 3/4
Width	23" 3/4

FEATURES

Style	factory installed panel
Finish	stainless steel, no fingerprint
Handle styles	Heritage series
Controls	concealed
Interface	LED touch
Energy star certification	yes, 249kw/yr
Sound insulation	45 db(A)
Place setting	16
Wash cycles	6 (Heavy, Auto, Normal, Quick, Eco, Rinse)
Wash options	5 (power zone, extra dry, sani boost, hi temp, delay start 24h)
Drying system	turbo drying
Filter system	triple plastic and stainless steel
Food disposer	yes
Spray arms	4 (including power zone)
Number of racks	3 including Flexible Top Drawer
Interior illuminations	yes – 2 LED lights

TECHNICAL SPECIFICATIONS

Voltage, frequency	115V, 60Hz
Max Amp Usage, power rating	8.4A, 975W
Certification	UL
Warranty	2 years parts and labor

DIMENSIONS

Depth	24" 1/2
Depth without door	22" 1/2
Height	33" 3/4
Width	23" 3/4



DW24XV + PRO HK24DW
24" PANEL INSTALLED



DW24XV + MAS HK24DW
24" PANEL INSTALLED



DW24XV + HER HK24DW
24" PANEL INSTALLED

FEATURES

Style	factory installed panel
Finish	stainless steel, no fingerprint
Handle styles	Professional series
Controls	concealed
Interface	LED touch
Energy star certification	yes, 249kw/yr
Sound insulation	48 db(A)
Place setting	14
Wash cycles	6 (Heavy, Auto, Normal, Quick, Eco, Rinse)
Wash options	4 (extra dry, sani boost, hi temp, delay start 24h)
Drying system	turbo drying
Filter system	triple plastic and stainless steel
Food disposer	yes
Spray arms	3
Number of racks	2
Interior illuminations	-

TECHNICAL SPECIFICATIONS

Voltage, frequency	115V, 60Hz
Max Amp Usage, power rating	8.4A, 975W
Certification	UL
Warranty	2 years parts and labor

DIMENSIONS

Depth	24" 1/2
Depth without door	22" 1/2
Height	33" 3/4
Width	23" 3/4

FEATURES

Style	factory installed panel
Finish	stainless steel, no fingerprint
Handle styles	Master series
Controls	concealed
Interface	LED touch
Energy star certification	yes, 249kw/yr
Sound insulation	48 db(A)
Place setting	14
Wash cycles	6 (Heavy, Auto, Normal, Quick, Eco, Rinse)
Wash options	4 (extra dry, sani boost, hi temp, delay start 24h)
Drying system	turbo drying
Filter system	triple plastic and stainless steel
Food disposer	yes
Spray arms	3
Number of racks	2
Interior illuminations	-

TECHNICAL SPECIFICATIONS

Voltage, frequency	115V, 60Hz
Max Amp Usage, power rating	8.4A, 975W
Certification	UL
Warranty	2 years parts and labor

DIMENSIONS

Depth	24" 1/2
Depth without door	22" 1/2
Height	33" 3/4
Width	23" 3/4

FEATURES

Style	factory installed panel
Finish	stainless steel, no fingerprint
Handle styles	Heritage series
Controls	concealed
Interface	LED touch
Energy star certification	yes, 249kw/yr
Sound insulation	48 db(A)
Place setting	14
Wash cycles	6 (Heavy, Auto, Normal, Quick, Eco, Rinse)
Wash options	4 extra dry, sani boost, hi temp, delay start 24h)
Drying system	turbo drying
Filter system	triple plastic and stainless steel
Food disposer	yes
Spray arms	3
Number of racks	2
Interior illuminations	-

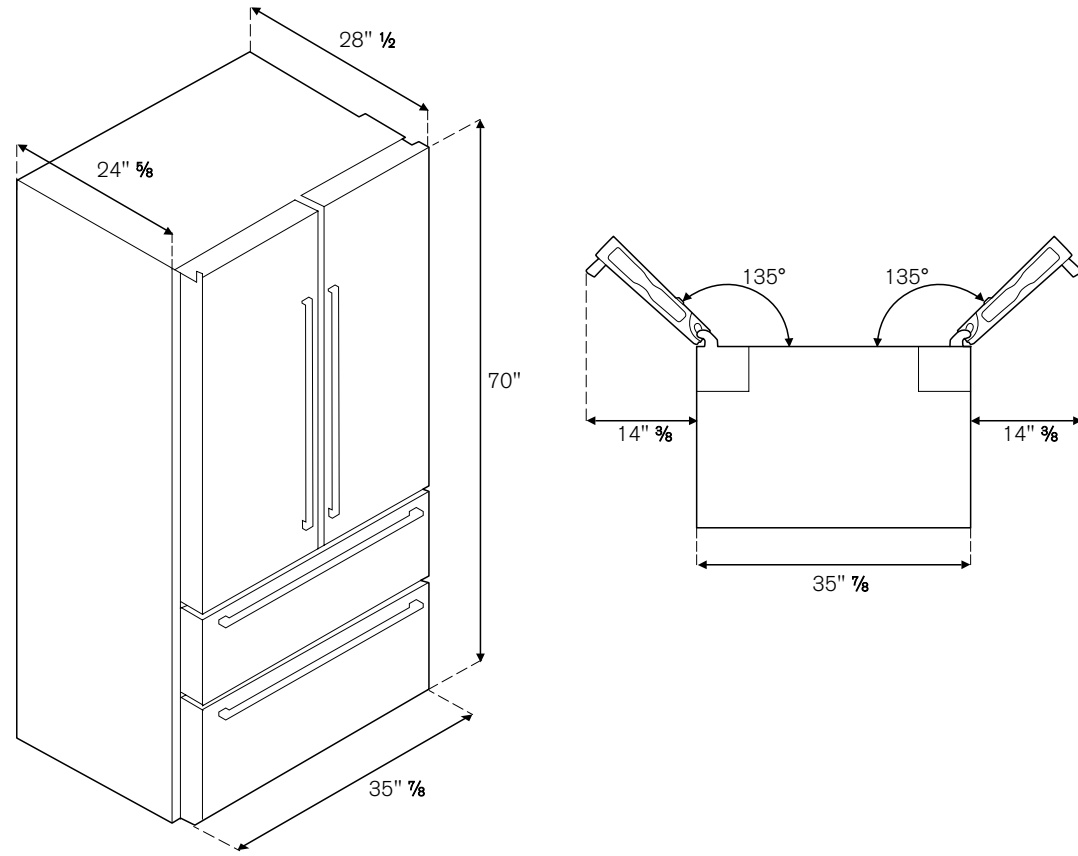
TECHNICAL SPECIFICATIONS

Voltage, frequency	115V, 60Hz
Max Amp Usage, power rating	8.4A, 975W
Certification	UL
Warranty	2 years parts and labor

DIMENSIONS

Depth	24" 1/2
Depth without door	22" 1/2
Height	33" 3/4
Width	23" 3/4

REF36 X



DW24XT
DW24XV

