



INSTALLATION INSTRUCTIONS

COMMERCIAL WASHER

INSTRUCTIONS D'INSTALLATION

LAVEUSE COMMERCIALE

TABLE OF CONTENTS

	Page
Washer Safety.....	2
Tools & Parts.....	3
Dimensions	4
Location Requirements.....	5
Drain System.....	6
Electrical Requirements.....	7
Installation Instructions	8
Connect Drain Hose.....	9
Connect Inlet Hoses.....	10
Level Washer.....	11
Installing Coin Slide and Coin Box.....	11
Complete Installation	12
Typical Full Load Sizes.....	12
Washer Maintenance.....	13
If You Need Assistance	14
Alternate Parts.....	14

TABLE DES MATIÈRES

	Page
Sécurité de la laveuse.....	15
Outillage et pièces.....	16
Dimensions	17
Exigences d'emplacement	18
Système de vidange	19
Spécifications électriques	20
Instructions d'installation	21
Raccordement du tuyau de vidange.....	22
Raccordement des tuyaux d'arrivée d'eau	23
Établissement de l'aplomb de la laveuse.....	24
Installation de la glissière et de la boîte à monnaie.....	24
Achever l'installation.....	25
Taille typique des charges complètes	25
Entretien de la laveuse.....	26
Si vous avez besoin d'assistance	27
Autres pièces	27

WASHER SAFETY

Your safety and the safety of others are very important.

We have provided many important safety messages in this manual and on your appliance. Always read and obey all safety messages.



This is the safety alert symbol.

This symbol alerts you to potential hazards that can kill or hurt you and others.

All safety messages will follow the safety alert symbol and either the word "DANGER" or "WARNING." These words mean:

⚠ DANGER

You can be killed or seriously injured if you don't immediately follow instructions.

⚠ WARNING

You can be killed or seriously injured if you don't follow instructions.

All safety messages will tell you what the potential hazard is, tell you how to reduce the chance of injury, and tell you what can happen if the instructions are not followed.

IMPORTANT SAFETY INSTRUCTIONS

WARNING: To reduce the risk of fire, electric shock, or injury to persons when using the washer, follow basic precautions, including the following:

- Read all instructions before using the washer.
- Do not wash articles that have been previously cleaned in, washed in, soaked in, or spotted with gasoline, dry-cleaning solvents, other flammable, or explosive substances as they give off vapors that could ignite or explode.
- Do not add gasoline, dry-cleaning solvents, or other flammable, or explosive substances to the wash water. These substances give off vapors that could ignite or explode.
- Under certain conditions, hydrogen gas may be produced in a hot water system that has not been used for 2 weeks or more. **HYDROGEN GAS IS EXPLOSIVE.** If the hot water system has not been used for such a period, before using the washing machine, turn on all hot water faucets and let the water flow from each for several minutes. This will release any accumulated hydrogen gas. As the gas is flammable, do not smoke or use an open flame during this time.
- Do not allow children to play on or in the washer. Close supervision of children is necessary when the washer is used near children.
- Before the washer is removed from service or discarded, remove the door or lid.
- Do not reach into the washer if the drum, tub or agitator is moving.
- Do not install or store the washer where it will be exposed to the weather.
- Do not tamper with controls.
- Do not repair or replace any part of the washer or attempt any servicing unless specifically recommended in this manual or in published user-repair instructions that you understand and have the skills to carry out.
- See "Electrical Requirements" located in the installation instructions for grounding instructions.

SAVE THESE INSTRUCTIONS

FOR YOUR SAFETY

Do not store or use gasoline or other flammable vapors and liquids in the vicinity of this or any other appliance.

State of California Proposition 65 Warnings:

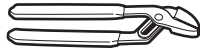
WARNING: This product contains one or more chemicals known to the State of California to cause cancer.

WARNING: This product contains one or more chemicals known to the State of California to cause birth defects or other reproductive harm.

Tools Needed:



Level



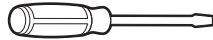
Pliers



Utility Knife

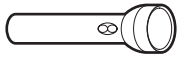


Adjustable Wrench



Flat-Blade Screwdriver

Optional tools:



Flashlight



Bucket

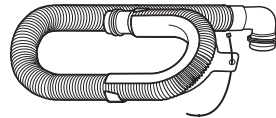
Parts Supplied:



Water Inlet Hoses (2)

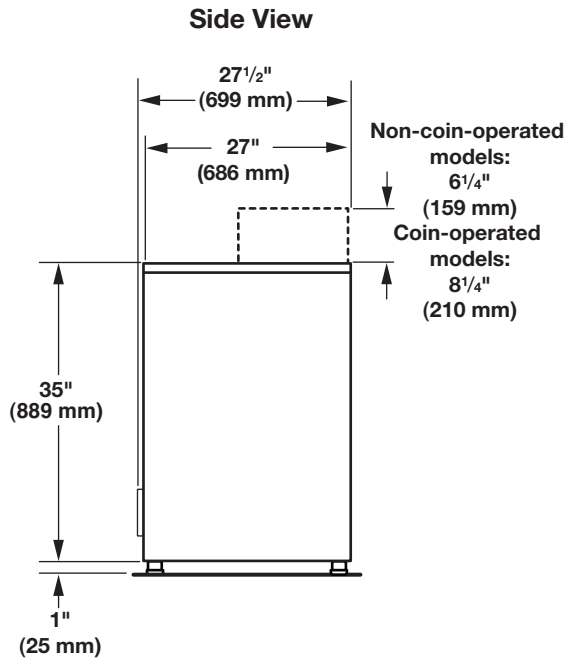
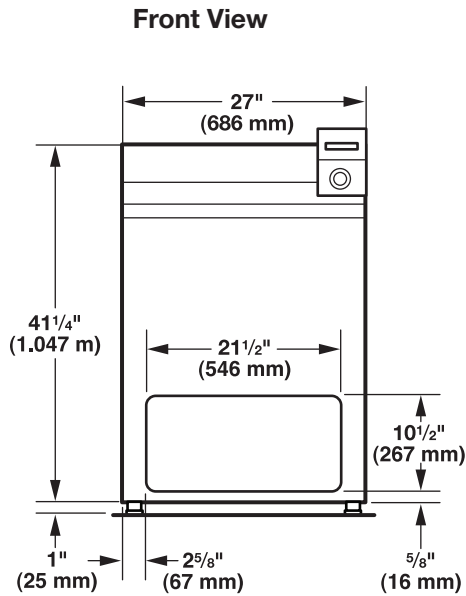


Inlet Hose Washers (4)



Drain hose with clamp,
U-form, and cable tie

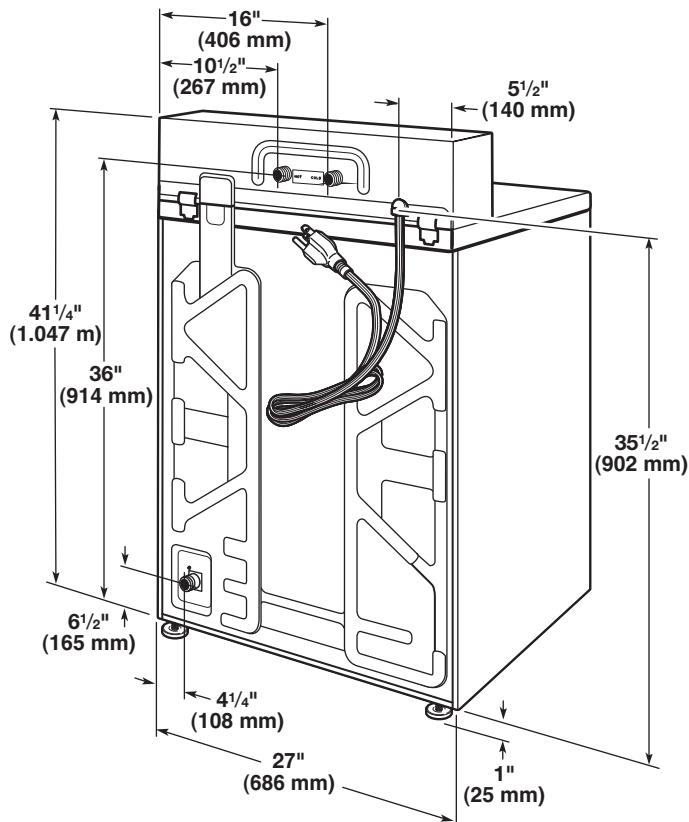
DIMENSIONS



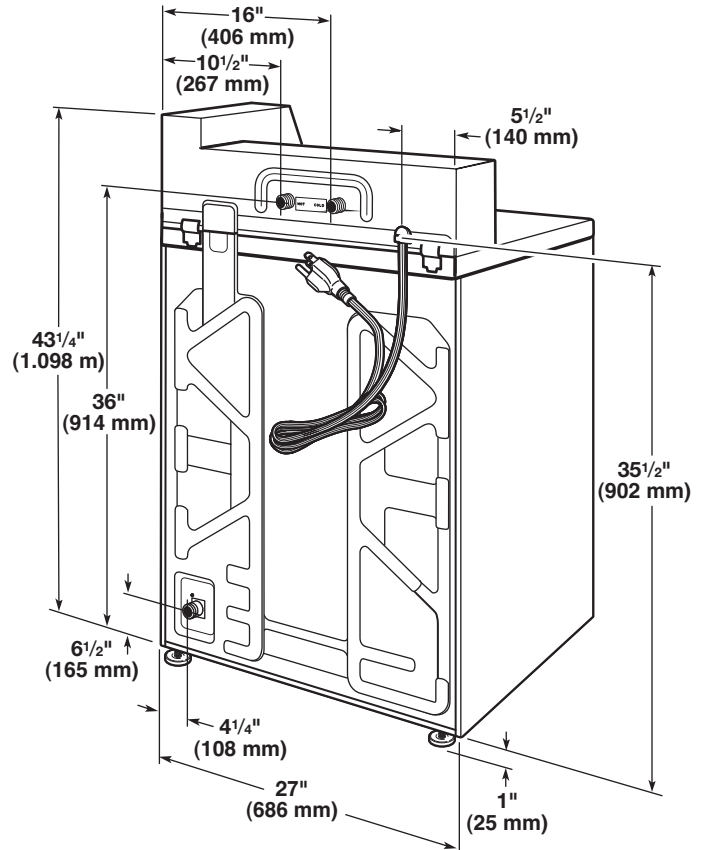
NOTE: Service panel not included on some models.

Back View

Non-coin operated models



Coin operated models



LOCATION REQUIREMENTS

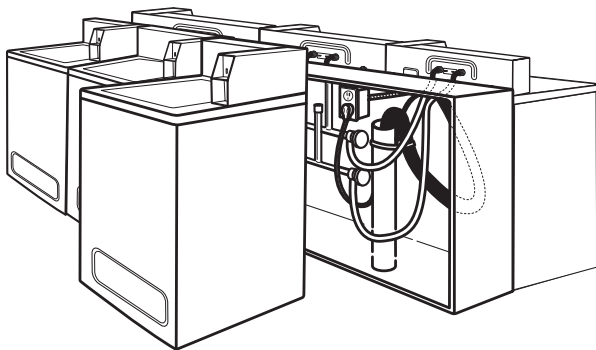
Selecting the proper location for your washer improves performance and minimizes noise and possible washer “walk.” Your washer can be installed in a basement, laundry room, or recessed area. See “Drain System.”

Companion appliance location requirements should also be considered.

IMPORTANT: Do not install or store the washer where it will be exposed to the weather. Do not store or operate the washer in temperatures at or below 32°F (0°C). Some water can remain in the washer and can cause damage in low temperatures. Proper installation is your responsibility.

You will need:

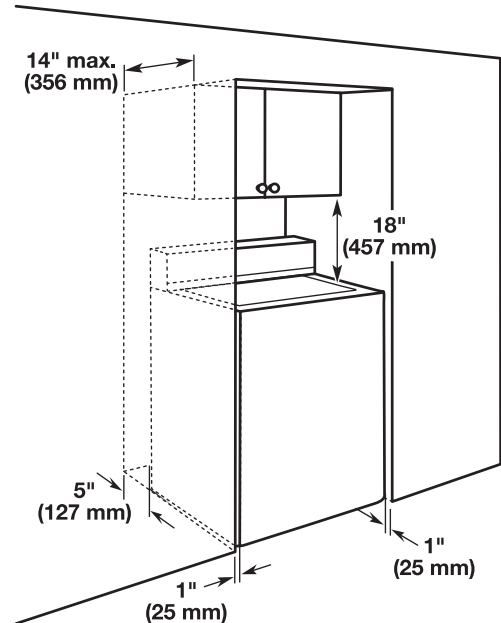
- A water heater set to 120°F (49°C).
- A grounded electrical outlet located within 4 ft. (1.2 m) of power cord on back of washer. See “Electrical Requirements.”
- Hot and cold water faucets located within 4 ft. (1.2 m) of hot and cold water fill valves on washer, and water pressure of 20-100 psi (138-690 kPa). A pressure reduction valve should be used in the supply line where inlet pressure entering the building exceeds 100 PSI (690 kPa) to avoid damage to the washer mixing valve.
- Single washer installations require 12" (300 mm) minimum risers to provide an air cushion and avoid noise and damage to valves.
- A level floor with maximum slope of 1" (25 mm) under entire washer. Installing on carpet is not recommended.
- Floor must support washer's total weight (with water and load) of 315 lbs (143 kgs).
- A floor drain under the bulkhead. Prefabricated bulkheads with electrical outlets, water inlet lines, and drain facilities should be used only where local codes permit.



Recessed Area or Closet Installation

This washer may be installed in a recessed area or closet. The installation dimensions shown are the minimum spaces allowable. Additional spacing should be considered for ease of installation and servicing. Companion appliance spacing should be considered.

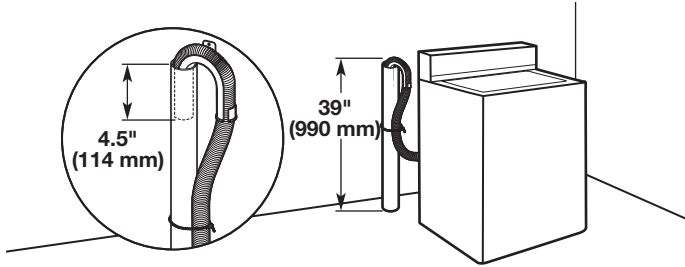
Minimum installation spacing



DRAIN SYSTEM

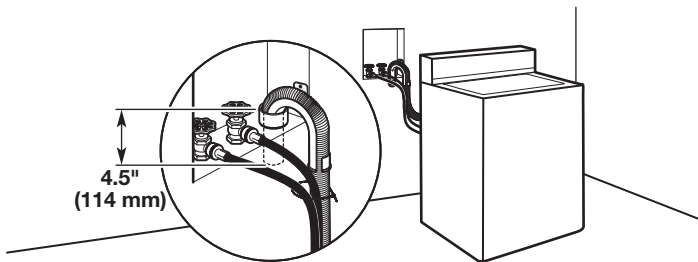
Drain system can be installed using a floor drain, wall standpipe, or laundry tub. Select method you need.

Floor standpipe drain system



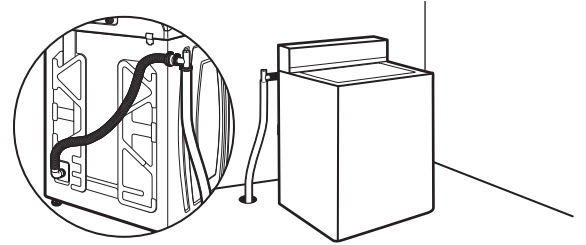
Minimum diameter for a standpipe drain: 2" (51 mm). Minimum carry-away capacity: 10 gal. (38 L) per minute. Top of standpipe must be at least 39" (990 mm) high; install no higher than 96" (2.44 m) from bottom of washer.

Wall standpipe drain system



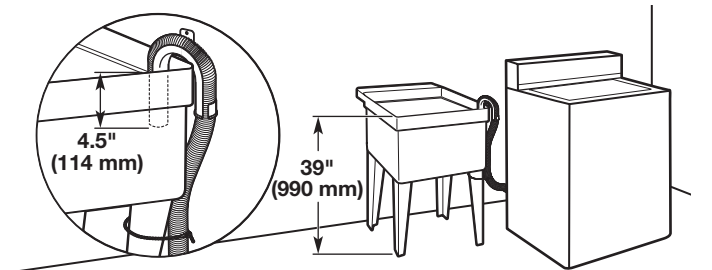
See requirements for floor standpipe drain system.

Floor drain system



Floor drain system requires a Siphon Break Kit (Part Number 285834). Minimum siphon break: 28" (710 mm) from bottom of washer. Additional hoses may be needed.

Laundry tub drain system



Minimum capacity: 20 gal. (76 L). The top of the laundry tub must be at least 39" (990 mm) above floor.

ELECTRICAL REQUIREMENTS

⚠ WARNING



Electrical Shock Hazard

Plug into a grounded 3 prong outlet.

Do not remove ground prong.

Do not use an adapter.

Do not use an extension cord.

Failure to follow these instructions can result in death, fire, or electrical shock.

- A 120 volt, 60 Hz., AC only, 15- or 20-amp, fused electrical supply is required. A time-delay fuse or circuit breaker is recommended. It is recommended that a separate circuit breaker serving only this appliance be provided.
- This washer is equipped with a power supply cord having a 3 prong grounding plug.
- To minimize possible shock hazard, the cord must be plugged into a mating, 3 prong, grounding-type outlet, grounded in accordance with local codes and ordinances. If a mating outlet is not available, it is the personal responsibility and obligation of the customer to have the properly grounded outlet installed by a qualified electrician.
- If codes permit and a separate ground wire is used, it is recommended that a qualified electrician determine that the ground path is adequate.
- Do not ground to a gas pipe.
- Check with a qualified electrician if you are not sure the washer is properly grounded.
- Do not have a fuse in the neutral or ground circuit.

GROUNDING INSTRUCTIONS

For a grounded, cord-connected washer:

This washer must be grounded. In the event of a malfunction or breakdown, grounding will reduce the risk of electrical shock by providing a path of least resistance for electric current. This washer is equipped with a cord having an equipment-grounding conductor and a grounding plug. The plug must be plugged into an appropriate outlet that is properly installed and grounded in accordance with all local codes and ordinances.

WARNING: Improper connection of the equipment-grounding conductor can result in a risk of electric shock. Check with a qualified electrician or serviceman if you are in doubt as to whether the appliance is properly grounded.

Do not modify the plug provided with the appliance – if it will not fit the outlet, have a proper outlet installed by a qualified electrician.

For a permanently connected washer:

This washer must be connected to a grounded metal, permanent wiring system, or an equipment grounding conductor must be run with the circuit conductors and connected to the equipment-grounding terminal or lead on the appliance.

INSTALLATION INSTRUCTIONS

⚠ WARNING

Excessive Weight Hazard

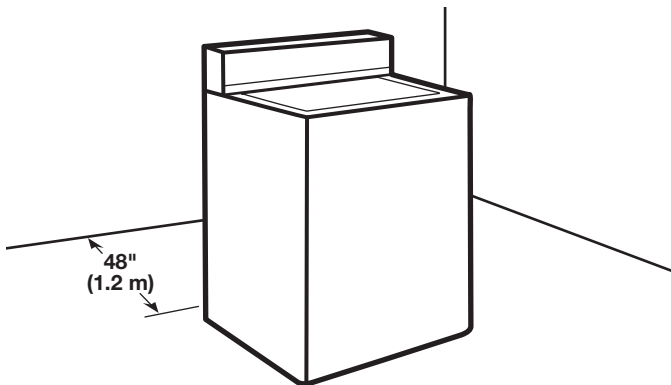
Use two or more people to move and install washer.

Failure to do so can result in back or other injury.

It is necessary to remove all shipping materials for proper operation and to avoid excessive noise from washer.

1. Move washer to within 4 ft (1.2 m) of its final location; it must be in a fully upright position.

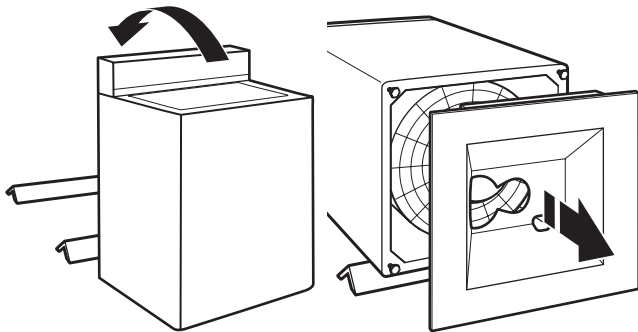
NOTE: To avoid floor damage, set washer onto cardboard before moving it and make sure lid is taped shut.



2. To avoid damaging floor, place cardboard supports from shipping carton on floor behind washer. Tip washer back and place on cardboard supports. Remove shipping base. Set washer upright.

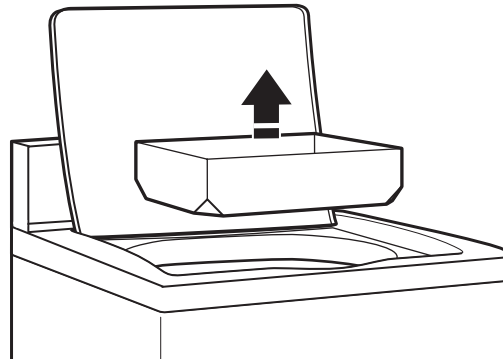
IMPORTANT: Removing shipping base is necessary for proper operation. If your washer includes a sound shield, please refer to the instructions included with the sound shield to install it at this time.

NOTE: Keep shipping base in case you need to move washer later.



3. Remove tape from washer lid, open lid, and remove cardboard packing tray from tub. Be sure to remove all parts from tray.

NOTE: Keep tray in case you need to move washer later.

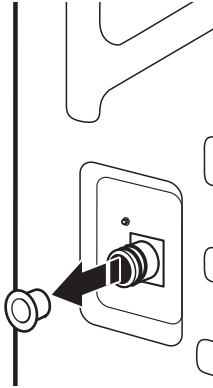


CONNECT DRAIN HOSE

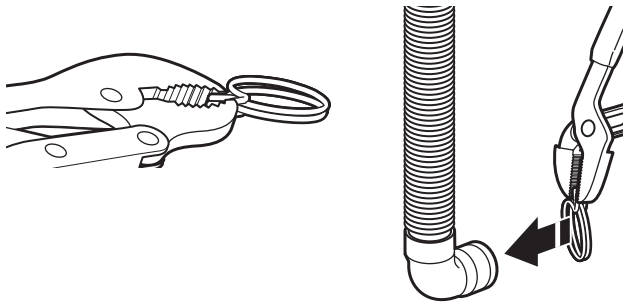
Proper routing of the drain hose avoids damage to your floor due to water leakage.

Remove drain hose from the washer drum

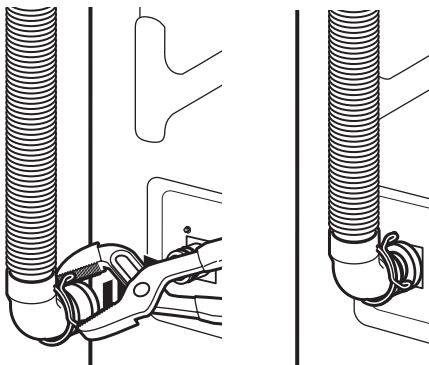
1. Remove tape from the washer drain port on the back of the washer.



2. If clamp is not already in place on elbow end of drain hose, slide it over end as shown.



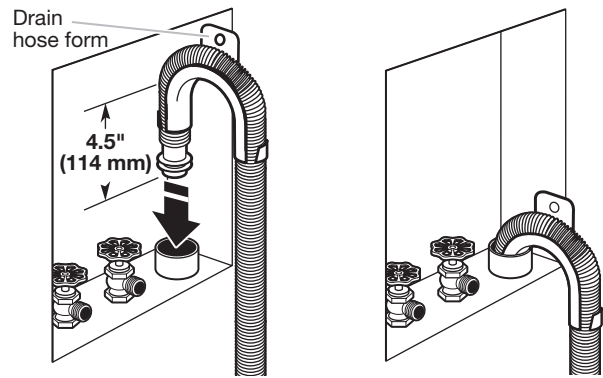
3. Squeeze clamp with pliers and slide elbow end of drain hose onto washer drain port and secure with clamp.



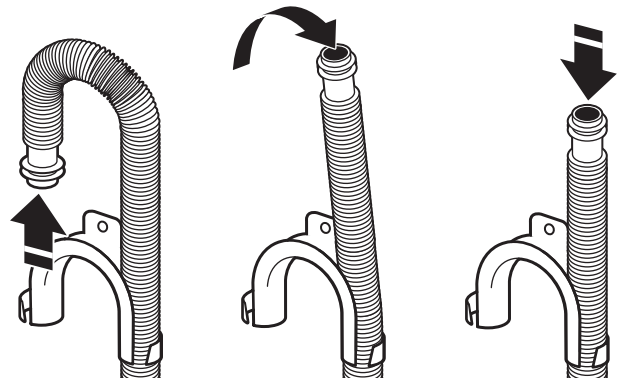
4. The washer drain system can be installed using a floor drain, wall standpipe, floor standpipe, or laundry tub.

5. Place hose into standpipe (shown in picture) or over side of laundry tub.

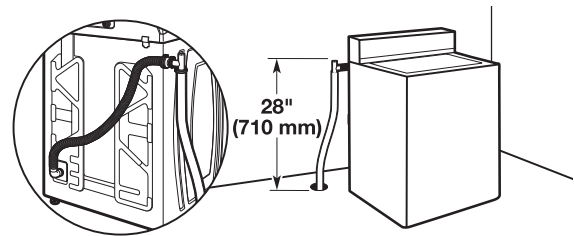
IMPORTANT: 4.5" (114 mm) of drain hose should be inside standpipe; do not force excess hose into standpipe or lay on bottom of laundry tub. Drain hose form must be used.



6. For floor drain installations, you will need to remove the drain hose form from the end of the drain hose. You may need additional parts with separate directions. See "Tools and Parts."

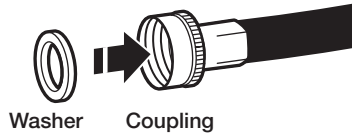


7. The floor drain system requires a siphon break that may be purchased separately. The siphon break (Part Number 285834) must be a minimum of 28" (710 mm) from the bottom of the washer. Additional hoses might be needed.



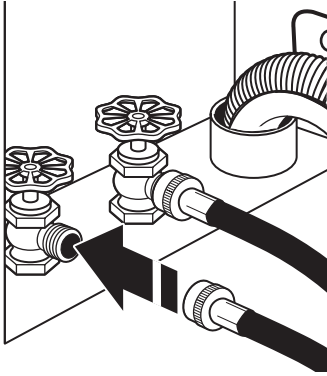
CONNECT INLET HOSES

Insert new hose washers (supplied) into each end of the inlet hoses. Firmly seat the washers in the couplings.

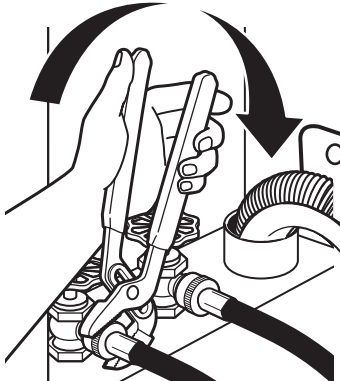


Connect Inlet Hoses to Water Faucets

1. Attach hose to hot water faucet. Screw on coupling until it is seated on washer. Repeat process for cold water.



2. Use pliers to tighten the couplings an additional two-thirds turn.



IMPORTANT: Do not overtighten or use tape or sealants on valve when attaching to faucets or washer. Damage can result.

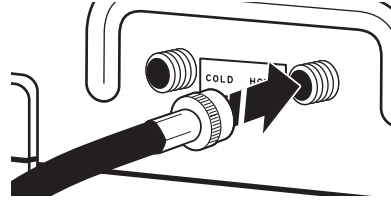
Clear Water Lines

- Run water through both faucets and inlet hoses, into a laundry tub, drainpipe, or bucket, to get rid of particles in the water lines that might clog the inlet valve screens.
- Check the temperature of the water to make sure that the hot water hose is connected to the hot water faucet and that the cold water hose is connected to the cold water faucet.

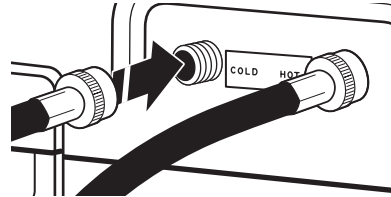


Connect Inlet Hoses to Washer

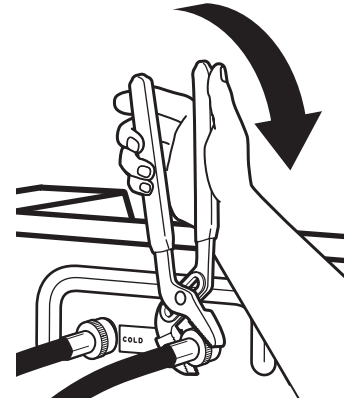
1. Attach cold water hose to cold water inlet valve marked with a blue ring. Screw coupling by hand until it is snug.



2. Attach hot water hose to hot water inlet valve marked with a red ring. Screw coupling by hand until it is snug.

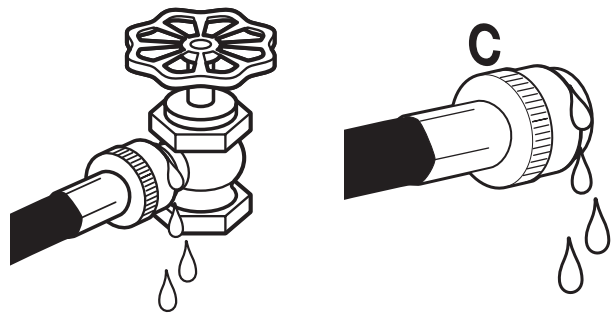


3. Use pliers to tighten couplings an additional two-thirds turn.



NOTE: Do not overtighten. Damage to the valve can result.

4. Turn on water faucets to check for leaks. A small amount of water may enter washer. It will drain later.



NOTE: Replace inlet hoses after 5 years of use to reduce the risk of hose failure. Record hose installation or replacement dates on the hoses for future reference.

Periodically inspect and replace hoses if bulges, kinks, cuts, wear, or leaks are found.

LEVEL WASHER

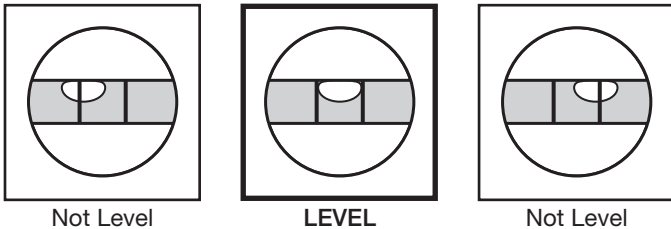
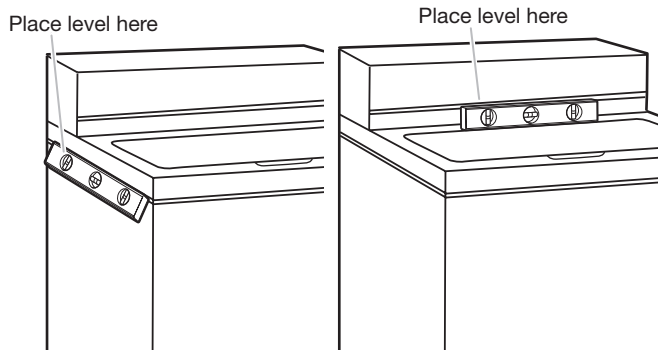
IMPORTANT: Level washer properly to reduce excess noise and vibration.

WARNING

Excessive Weight Hazard

Use two or more people to move and install washer/dryer.
Failure to do so can result in back or other injury.

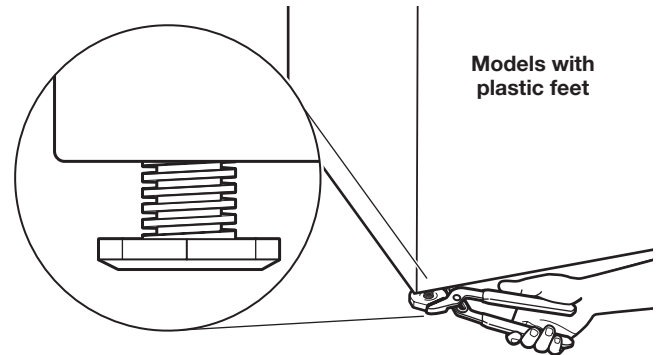
1. Move the washer to its final location. Place a level on top edges of washer. Use side seam as a guide to check levelness of sides. Check levelness of front using lid, as shown. Rock washer back and forth to make sure all four feet make solid contact with floor.



2. On models with metal feet, use a 9/16" or 14 mm open-end or adjustable wrench to turn jam nuts clockwise on feet until they are about 1/2" (13 mm) from the washer cabinet. Then turn the leveling foot clockwise to lower the washer or counterclockwise to raise the washer.

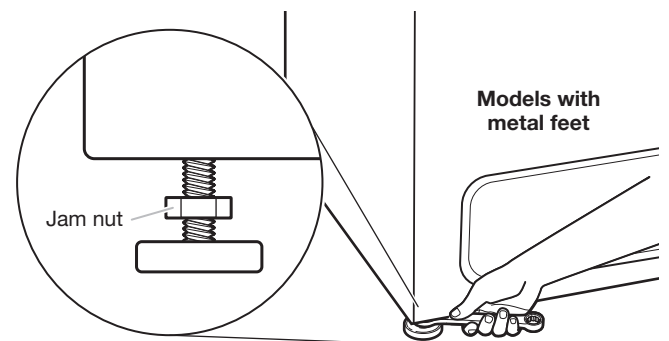
On models with plastic feet, use adjustable pliers to turn the plastic leveling foot counterclockwise to lower the washer or clockwise to raise the washer. On all models, recheck levelness of washer and repeat as needed.

HELPFUL TIP: You may want to prop up front of washer about 4" (102 mm) with a wood block or similar object that will support weight of washer.



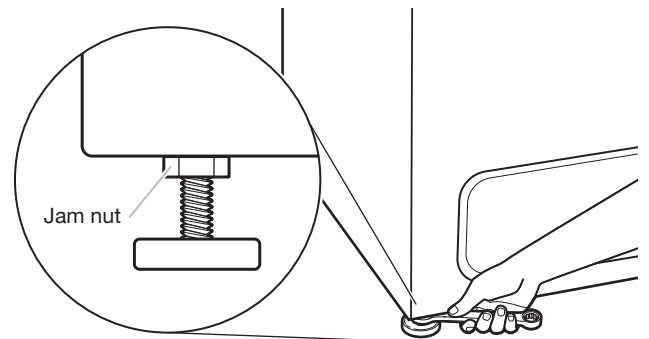
Models with plastic feet

or



Models with metal feet

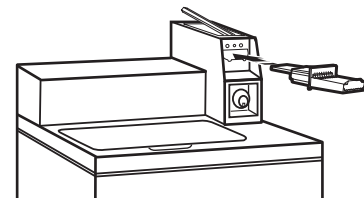
3. On models with metal feet, when washer is level, use a 9/16" or 14 mm open-end or adjustable wrench to turn jam nuts counterclockwise on leveling feet tightly against washer cabinet.



INSTALLING COIN SLIDE AND COIN BOX

The coin slide mechanism, service door lock and key, and coin box lock and key are not included with some models, but can be obtained from the usual industry sources.

Remove the service door of the meter case by lifting it up at the back. Install the money-accepting device. (Refer to manufacturer's instructions for proper installation.)



For washer using coin slides, use the adapter kit supplied with the washer.

Install a lock and cam on the meter case service door. Install the coin vault with lock and key in the meter case opening.

COMPLETE INSTALLATION

⚠ WARNING



Electrical Shock Hazard

Plug into a grounded 3 prong outlet.

Do not remove ground prong.

Do not use an adapter.

Do not use an extension cord.

Failure to follow these instructions can result in death, fire, or electrical shock.

- Check that you have all of your tools.
- Check that shipping materials were completely removed from washer.
- Dispose of/recycle all packaging materials.
- Check that the water faucets are on.
- Check for leaks around faucets and inlet hoses.
- Remove film from console and any tape remaining on washer.
- Plug into a grounded outlet, or connect power.
- Check that circuit breaker is not tripped or fuse is not blown.
- Start washer using the payment system (if available) to check that the wash cycle completes without an error code or water leak.

- Check electrical requirements. Be sure that you have the correct electrical supply and the recommended grounding method.
- Check that all parts are now installed. If there is an extra part, go back through steps to see what was skipped.

TYPICAL FULL LOAD SIZES

Load Type	Loading Suggestion	Load Type	Loading Suggestion
Mixed Load	3 double sheets 4 pillowcases 6 pair shorts 8 T-shirts 2 shirts 2 blouses 8 handkerchiefs	Heavy Work Clothes	3 pair pants 3 shirts 1 coverall 4 pair jeans 1 overall
Permanent Press	2 double or 1 king size sheet 1 tablecloth 1 dress 1 blouse 2 slacks 3 shirts 2 pillowcases	Knits	3 blouses 4 slacks 6 shirts 4 tops 4 dresses

WASHER MAINTENANCE

Operating Tips

WARNING



Fire Hazard

Never place items in the washer that are dampened with gasoline or other flammable fluids.

No washer can completely remove oil.

Do not dry anything that has ever had any type of oil on it (including cooking oils).

Doing so can result in death, explosion, or fire.

It is recommended that fiberglass items not be washed in coin-operated washers. If these items are washed in the washer, run the washer through a complete cycle to rinse any residue away that might be left in the washer.

IMPORTANT: Load detergent, bleach, and fabric softener before adding clothes and do all of this before starting the washer as the lid will lock after starting the washer.

Transporting Your Washer

- Shut off both water faucets. Disconnect and drain water inlet hoses.
- Disconnect drain from drain system and drain any remaining water into a pan or bucket. Disconnect drain hose from back of washer.
- Unplug power cord.
- Place inlet hoses and drain hose inside washer basket.
- Drape power cord over edge and into washer basket.
- Place packing tray from original shipping materials back inside washer and reuse shipping base to support the motor and tub. If you do not have original packaging, place heavy blankets or towels above basket, between the washer top and the tub ring. Close lid and place tape over lip and down the front of the washer. Keep lid taped until washer is moved to new location.

IF YOU NEED ASSISTANCE

Contact your authorized Commercial Laundry distributor. To locate your authorized Commercial Laundry distributor, or for web inquiries, visit www.WhirlpoolCommercialLaundry.com.

If you cannot locate your distributor, the Commercial Laundry Support Center will answer any questions about operating or maintaining your washer not covered in the Installation Instructions.

Just dial **1-800-662-3587** — the call is toll free.

When you call, you will need the washer model number and serial number. Both numbers can be found on the serial-rating plate located on the washer.

ALTERNATE PARTS & ACCESSORIES

Your installation may require additional parts. If you are interested in purchasing one of the items listed here, call the toll-free number in the "If You Need Assistance" section.

If You Have:	You Will Need:
Overhead sewer	Standard 20 gal. (76 L) 39" (990 mm) tall drain tub or utility sink, sump pump and connectors (available from local plumbing suppliers)
1" (25 mm) standpipe	2" (51 mm) diameter to 1" (25 mm) diameter Standpipe Adapter Part Number 3363920 Connector Kit Part Number 285835
Lint clogged drain	Drain Protector Part Number 367031 Connector Kit Part Number 285835
Floor drain system	Siphon break, Part Number 285834 Connector Kit (x2) Part Number 285835 Extension Drain Hose Part Number 285863
Water faucets beyond reach of fill hoses	2 longer water fill hoses: 6 ft. (1.8 m) 90° bend hose Part Number 76314, 10 ft. (3.0 m) Part Number 350008
	Inlet hoses are sold as a pair in kit W10575888
Accessories	
	Washer Drip Trays Part Number 8212526
	Cap/Cover-Bleach Dispenser Part Number W10515386A
	Fabric Softener Dispenser Kit Part Number W10461164A
	Main Top Rear Supprt W10576550 (2 per kit)

Whirlpool Corporation, Benton Harbor, Michigan 49022, U.S.A.

Votre sécurité et celle des autres est très importante.

Nous donnons de nombreux messages de sécurité importants dans ce manuel et sur votre appareil ménager. Assurez-vous de toujours lire tous les messages de sécurité et de vous y conformer.



Voici le symbole d'alerte de sécurité.

Ce symbole d'alerte de sécurité vous signale les dangers potentiels de décès et de blessures graves à vous et à d'autres.

Tous les messages de sécurité suivront le symbole d'alerte de sécurité et le mot "DANGER" ou "AVERTISSEMENT". Ces mots signifient :

⚠ DANGER

Risque possible de décès ou de blessure grave si vous ne suivez pas immédiatement les instructions.

⚠ AVERTISSEMENT

Risque possible de décès ou de blessure grave si vous ne suivez pas les instructions.

Tous les messages de sécurité vous diront quel est le danger potentiel et vous disent comment réduire le risque de blessure et ce qui peut se produire en cas de non-respect des instructions.

IMPORTANTES INSTRUCTIONS DE SÉCURITÉ

AVERTISSEMENT : Pour réduire les risques d'incendie, de choc électrique ou de blessures lors de l'utilisation de la laveuse, suivre les précautions fondamentales dont les suivantes :

- Lire toutes les instructions avant d'utiliser la laveuse.
- Ne pas laver des articles qui ont été nettoyés ou lavés avec de l'essence ou imbibés d'essence, solvants de nettoyage à sec, ou autres substances inflammables ou explosives; ces substances peuvent émettre des vapeurs susceptibles de s'enflammer ou d'exploser.
- Ne pas ajouter d'essence, solvant de nettoyage à sec ou autre produit inflammable ou explosif dans l'eau de lavage. Ces substances peuvent émettre des vapeurs susceptibles de s'enflammer ou d'exploser.
- Dans certaines conditions, de l'hydrogène gazeux peut se former dans un circuit d'eau chaude qui n'a pas été utilisé pendant 2 semaines ou plus. LE GAZ HYDROGÈNE EST EXPLOSIBLE. Si le circuit d'eau chaude n'a pas été utilisé pendant une telle période, avant d'utiliser la laveuse, ouvrir tous les robinets d'eau chaude et laisser l'eau s'écouler pendant plusieurs minutes par chaque robinet. Ceci permettra l'évacuation de l'hydrogène gazeux accumulé. Comme ce gaz est inflammable, ne pas fumer ou utiliser une flamme nue au cours de cette période.
- Ne pas laisser des enfants jouer sur ou à l'intérieur de la laveuse. Bien surveiller les enfants lorsque la laveuse est utilisée à proximité d'enfants.
- Avant de mettre la laveuse au rebut ou hors de service, enlever la porte ou le couvercle.
- Ne pas tenter d'atteindre un article à l'intérieur de la cuve de la laveuse lorsque le tambour, la cuve ou l'agitateur est en mouvement.
- Ne pas installer ou remiser cette laveuse à un endroit où elle serait exposée aux intempéries.
- Ne pas modifier les organes de commande.
- Ne pas réparer ou remplacer un composant quelconque de la laveuse, ni entreprendre une opération de service, si ce n'est spécifiquement recommandé dans ce manuel ou dans un manuel d'instructions de réparations destiné à l'utilisateur; il est alors essentiel que la personne concernée comprenne ces instructions et soit compétente pour les exécuter.
- Pour les instructions de liaison à la terre, voir "Spécifications électriques" dans les instructions d'installation.

CONSERVEZ CES INSTRUCTIONS

POUR VOTRE SÉCURITÉ

Ne pas remiser ou utiliser de l'essence ou tout autre liquide ou vapeur inflammable à proximité de cet appareil ou de tout autre appareil.

Avertissements de la proposition 65 de l'État de Californie :

AVERTISSEMENT : Ce produit contient au moins un produit chimique connu par l'État de Californie pour être à l'origine de cancers.

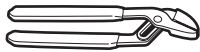
AVERTISSEMENT : Ce produit contient au moins un produit chimique connu par l'État de Californie pour être à l'origine de malformations et autres déficiences de naissance.

OUTILLAGE ET PIÈCES

Outillage nécessaire :



Niveau



Pince



Couteau utilitaire

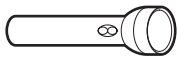


Clé à molette



Tournevis à lame plate

Outillage facultatif :



Lampe de poche



Seau

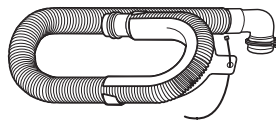
Pièces fournies :



Tuyaux d'alimentation (2)



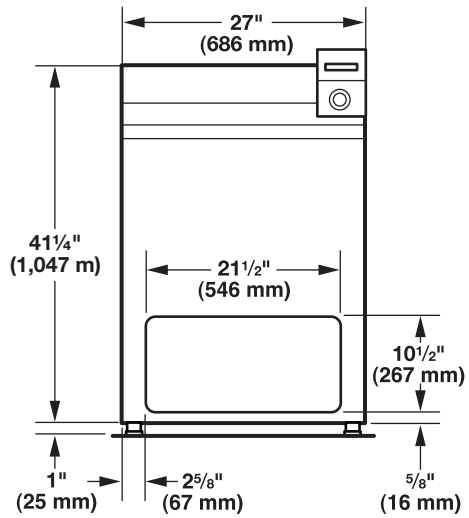
Rondelles pour tuyau
d'alimentation (4)



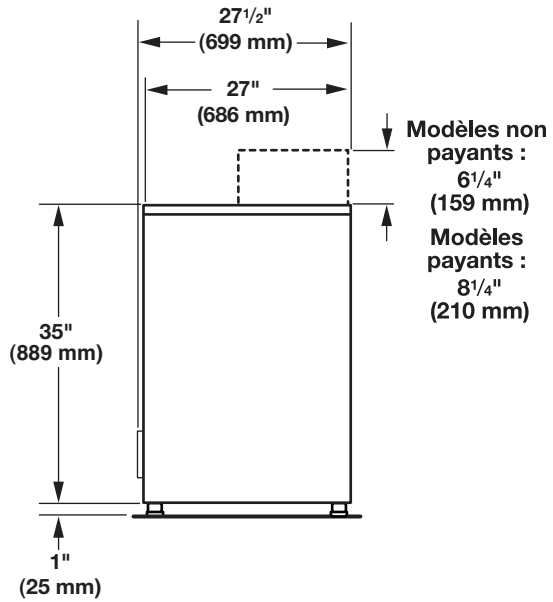
Tuyau de vidange avec
bride, bride de retenue en
forme de u et attache-câble

DIMENSIONS

Vue de face



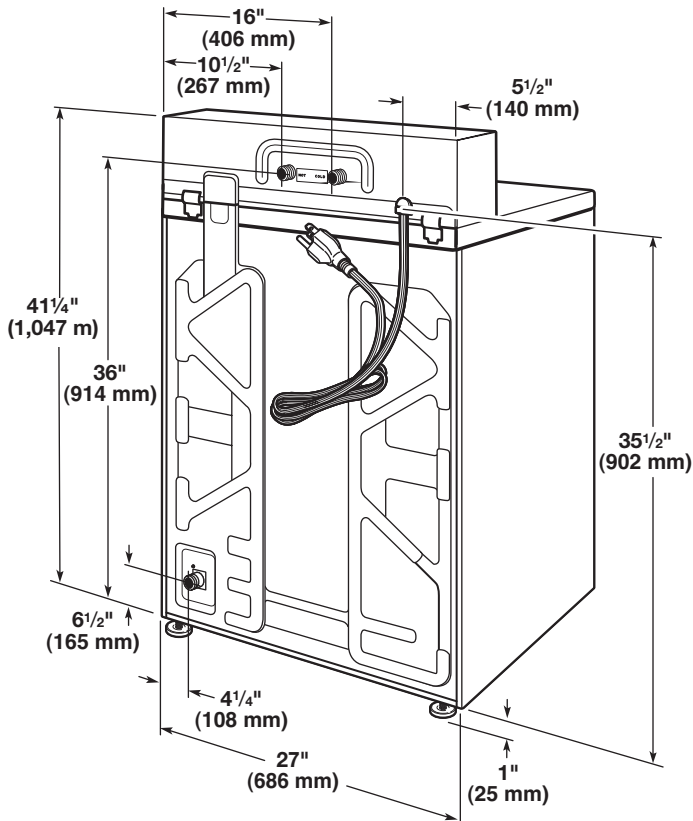
Vue latérale



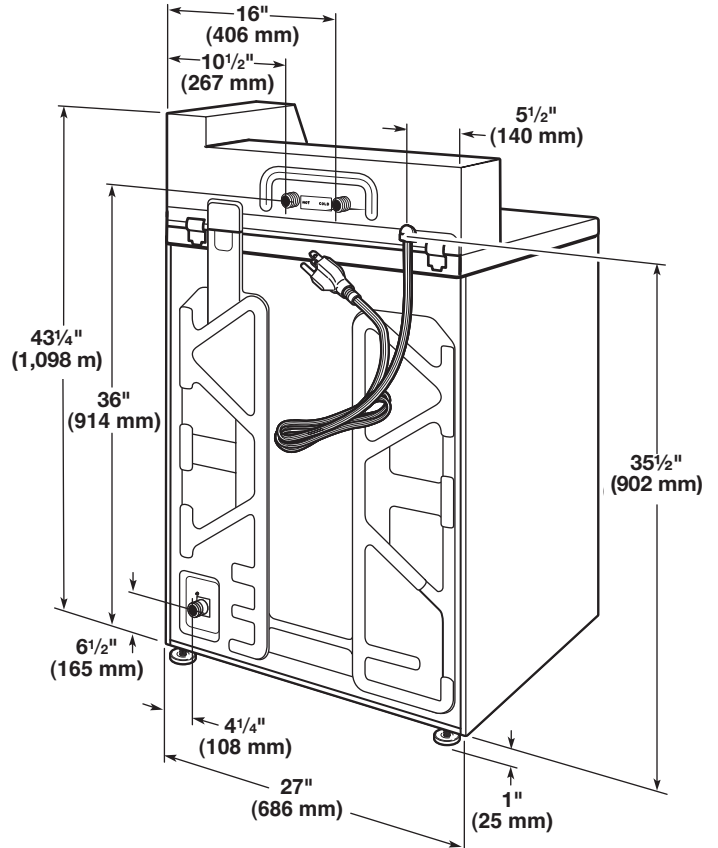
REMARQUE : Tableau de disjoncteurs non inclus sur certains modèles.

Vue arrière

Modèles non payants



Modèles payants



EXIGENCES D'EMPLACEMENT

Le choix d'un emplacement approprié pour la laveuse en améliore le rendement et réduit au minimum le bruit et le "déplacement" possible de la laveuse.

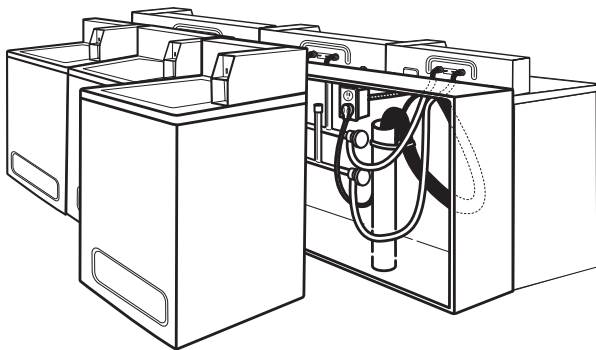
La laveuse peut être installée dans un sous-sol, une buanderie ou un encastrement. Voir "Système de vidange".

Il faut aussi prendre en compte les exigences d'emplacement des appareils voisins.

IMPORTANT : Ne pas installer ou remiser la laveuse dans un endroit où elle sera exposée aux intempéries. Ne pas remiser ou faire fonctionner la laveuse à des températures égales ou inférieures à 32°F (0°C). Une quantité d'eau peut demeurer dans la laveuse et causer des dommages à des températures basses. C'est à l'utilisateur qu'incombe la responsabilité de réaliser une installation correcte.

Il vous faudra :

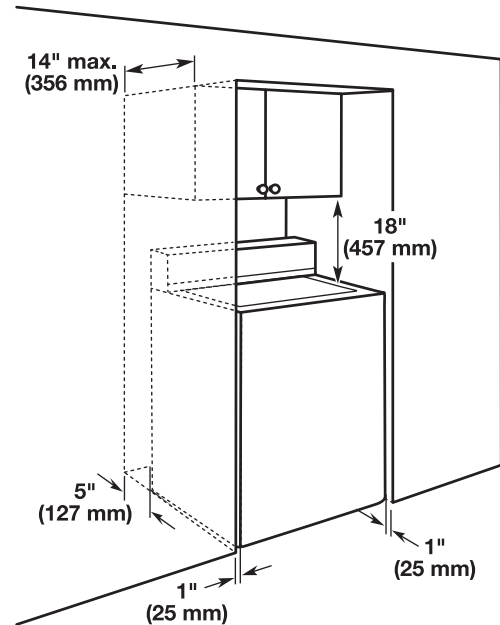
- Un chauffe-eau réglé à 120° F (49° C).
- Une prise électrique reliée à la terre et située à moins de 4 pi (1,2 m) du cordon d'alimentation situé à l'arrière de la laveuse. Voir "Spécifications électriques".
- Des robinets d'eau chaude et d'eau froide situés à moins de 4 pi (1,2 m) des électrovannes de remplissage d'eau chaude et d'eau froide situées sur la laveuse et une pression d'eau de 20-100 lb/po² (138 à 690 kPa). Lorsque la pression d'alimentation à l'entrée du bâtiment est supérieure à 100 lb/po² (690 kPa), on devrait installer une vanne de réduction de la pression pour éviter une éventuelle détérioration de la vanne de mixage de la laveuse.
- L'installation d'une seule laveuse nécessite une colonne montante d'au moins 12" (300 mm) pour assurer un coussin d'air et éviter le bruit et l'endommagement des vannes.
- Un plancher de niveau avec une pente maximale de 1" (25 mm) sous l'ensemble de la laveuse. L'installation sur de la moquette n'est pas recommandée.
- Un plancher capable de supporter le poids total de 315 lb (143 kg) de la laveuse (eau et charge comprises).
- Un avaloir de sol sous le coffrage. Les coffrages préfabriqués équipés de prises électriques, lignes d'arrivée d'eau et conduites d'évacuation doivent être utilisés seulement là où les codes locaux l'autorisent.



Installation dans un encastrement ou un placard

Cette laveuse peut être installée dans un encastrement ou un placard. Les dimensions d'installation indiquées correspondent à l'espacement minimal permis. Prévoir davantage d'espace pour faciliter l'installation et l'entretien. Il faut aussi prendre en compte l'espace requis entre les appareils voisins.

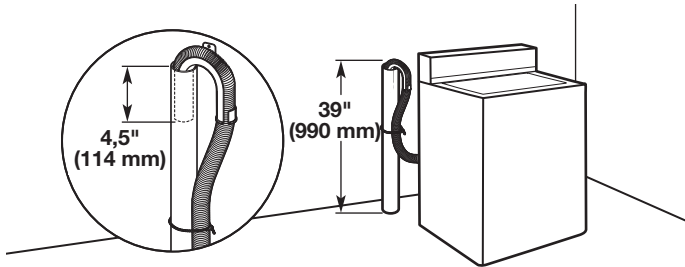
Minimum installation spacing



SYSTÈME DE VIDANGE

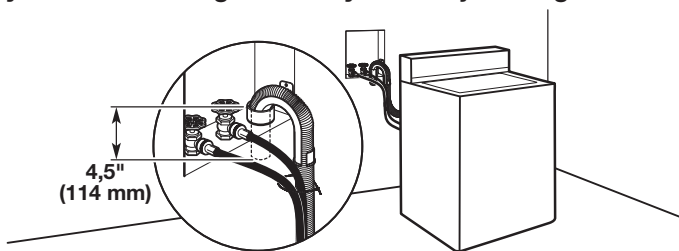
Le système de vidange de la laveuse peut être installé à l'aide d'un conduit d'évacuation au plancher, un tuyau de rejet à l'égout au plancher ou mural ou un évier de buanderie. Sélectionner la méthode à utiliser.

Système de vidange avec tuyau de rejet à l'égout au plancher



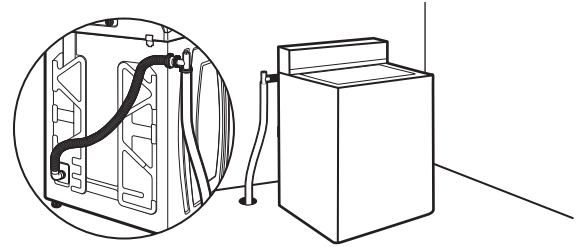
Diamètre minimal pour un tuyau de rejet à l'égout : 2" (51 mm).
Capacité minimale d'acheminement : 10 gal. (38 L) par minute.
Le sommet du tuyau de rejet à l'égout doit avoir une hauteur d'au moins 39" (990 mm) high; ne pas l'installer à plus de 96" (2,44 m) du fond de la laveuse.

Système de vidange avec tuyau de rejet à l'égout mural



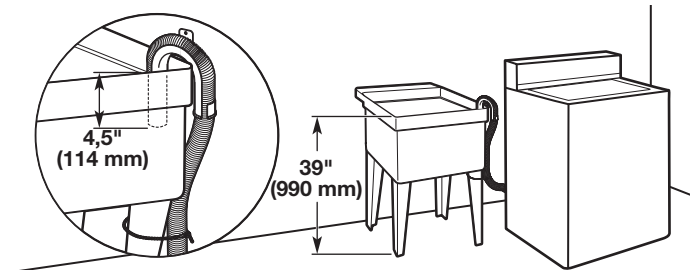
Voir les exigences pour le système de vidange avec tuyau de rejet à l'égout au plancher.

Système de vidange au plancher



Le système de vidange au plancher nécessite un ensemble de brise-siphon (pièce numéro 285834). Dimension minimale pour le brise-siphon : 28" (710 mm) à partir du fond de la laveuse. Des tuyaux supplémentaires peuvent être requis.

Système de vidange dans un évier de buanderie



Capacité minimale : 20 gal. (76 L). Le sommet de l'évier de buanderie doit se trouver à au moins 39" (990 mm) du plancher.

SPÉCIFICATIONS ÉLECTRIQUES

⚠ AVERTISSEMENT



Risque de choc électrique

Brancher sur une prise à 3 alvéoles reliée à la terre.

Ne pas enlever la broche de liaison à la terre.

Ne pas utiliser un adaptateur.

Ne pas utiliser un câble de rallonge.

Le non-respect de ces instructions peut causer un décès, un incendie ou un choc électrique.

- Une alimentation de 120 volts, 60 Hz, CA seulement, de 15 ou 20 ampères, protégée par un fusible est requise. On recommande l'emploi d'un fusible ou d'un disjoncteur temporisé. Il est recommandé de raccorder l'appareil sur un circuit distinct exclusif à cet appareil.
- Cette laveuse comporte un cordon d'alimentation électrique à trois broches pour liaison à la terre.
- Pour minimiser les risques de choc électrique, on doit brancher le cordon sur une prise de courant de configuration correspondante, à 3 alvéoles, reliée à la terre et installée conformément aux codes et règlements locaux. Si une prise de courant de configuration correspondante n'est pas disponible, le client a la responsabilité et l'obligation de faire installer par un électricien qualifié une prise de courant correctement reliée à la terre.
- Si les codes le permettent et si l'on utilise un conducteur distinct de liaison à la terre, il est recommandé qu'un électricien qualifié vérifie la qualité de la liaison à la terre.
- Ne pas utiliser une tuyauterie de gaz pour le raccordement à la terre.
- En cas de doute quant à la qualité de la liaison à la terre de la laveuse, consulter un électricien qualifié.
- Ne pas installer un fusible dans le conducteur neutre ou le circuit de liaison à la terre.

INSTRUCTIONS DE LIAISON À LA TERRE

Pour une laveuse reliée à la terre et connectée par un cordon :

Cette laveuse doit être reliée à la terre. En cas d'anomalie de fonctionnement ou de panne, la liaison à la terre réduira le risque de choc électrique en offrant au courant électrique un itinéraire d'évacuation de moindre résistance. Cette laveuse est alimentée par un cordon électrique comportant un conducteur relié à la terre et une fiche de branchement munie d'une broche de liaison à la terre. La fiche doit être branchée sur une prise de courant appropriée qui est bien installée et reliée à la terre conformément à tous les codes et règlements locaux.

AVERTISSEMENT : Le raccordement incorrect de cet appareil au conducteur de liaison à la terre peut susciter un risque de choc électrique. En cas de doute quant à la qualité de la liaison à la terre de l'appareil, consulter un électricien ou technicien d'entretien qualifié.

Ne pas modifier la fiche de branchement fournie avec l'appareil – si la fiche ne correspond pas à la configuration de la prise de courant, demander à un électricien qualifié d'installer une prise de courant convenable.

Pour une laveuse raccordée en permanence :

Cette laveuse doit être raccordée à un système de câblage permanent en métal relié à la terre ou un conducteur relié à la terre doit être en fonction avec les conducteurs de circuit et raccordés à la borne de liaison à la terre ou la borne sur l'appareil ménager.

INSTRUCTIONS D'INSTALLATION

⚠ AVERTISSEMENT

Risque du poids excessif

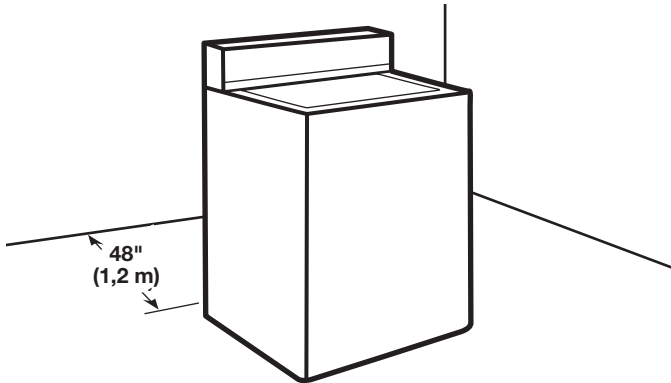
Utiliser deux ou plus de personnes pour déplacer et installer la laveuse.

Le non-respect de cette instruction peut causer une blessure au dos ou d'autre blessure.

Il est nécessaire de retirer tout le matériel d'expédition pour un fonctionnement correct et pour éviter que la laveuse ne fasse trop de bruit.

1. Déplacer la laveuse à moins de 4 pi (1,2 m) de son emplacement final; elle doit être en position complètement verticale.

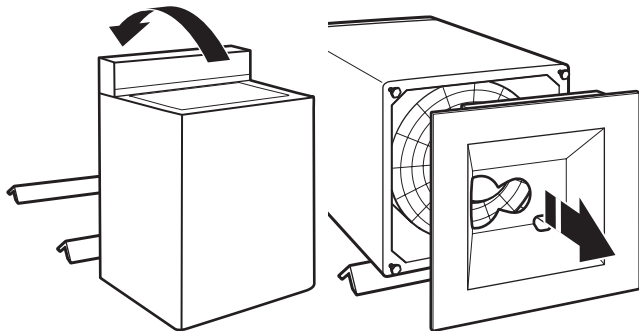
REMARQUE : Pour éviter d'endommager le plancher, installer la laveuse sur un carton avant de la déplacer. Assurer que le couvercle est retenu en place avec le ruban adhésif.



2. Afin d'éviter d'endommager le plancher, placer les supports en carton du carton d'expédition sur le plancher, derrière la laveuse. Incliner la laveuse vers l'arrière et la placer sur les supports en carton. Retirer la base d'expédition. Redresser la laveuse en position verticale.

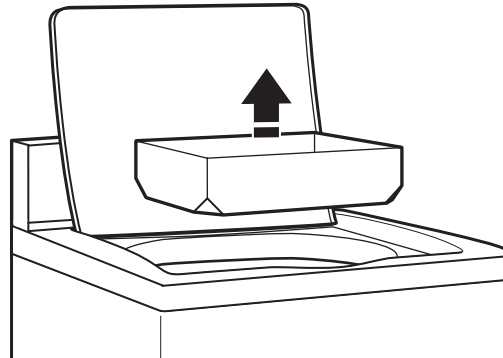
IMPORTANT : Le retrait de la base d'expédition en polystyrène est nécessaire au bon fonctionnement de la laveuse. Si la laveuse comprend une plaque d'insonorisation, consulter les instructions fournies avec la plaque d'insonorisation pour l'installer maintenant.

REMARQUE : Conserver le retrait de la base plat au cas où il faudrait déplacer la laveuse ultérieurement.



3. Retirer le ruban adhésif du couvercle de la laveuse, ouvrir le couvercle et retirer le carton plat d'emballage de la cuve. Veiller à retirer toutes les pièces du carton plat.

REMARQUE : Conserver le carton plat au cas où il faudrait déplacer la laveuse ultérieurement.

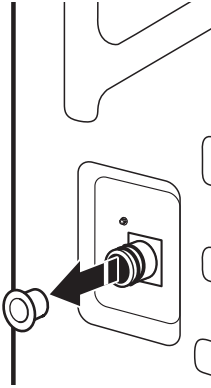


RACCORDEMENT DU TUYAU DE VIDANGE

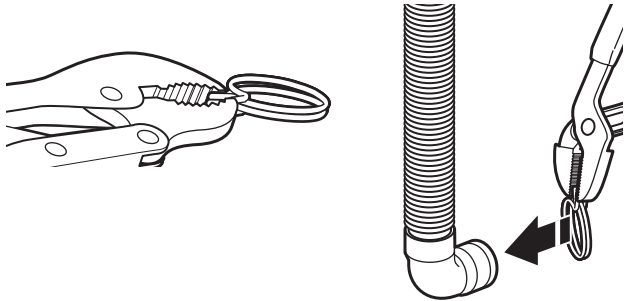
Le bon acheminement du tuyau de vidange évite d'endommager le sol à cause de fuites d'eau.

Retirer le tuyau de vidange du tambour de la laveuse

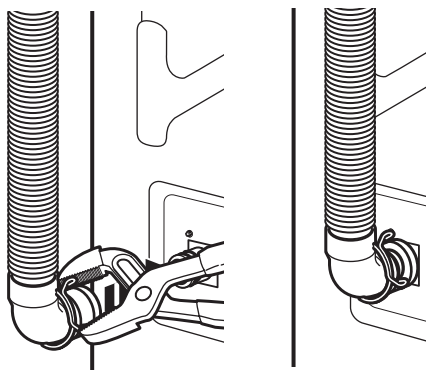
1. Retirer le ruban adhésif de l'orifice de vidange de la laveuse situé à l'arrière de celle-ci.



2. Si la bride n'est pas déjà installée sur l'extrémité coudée du tuyau de vidange, la faire glisser sur l'extrémité tel qu'indiqué.



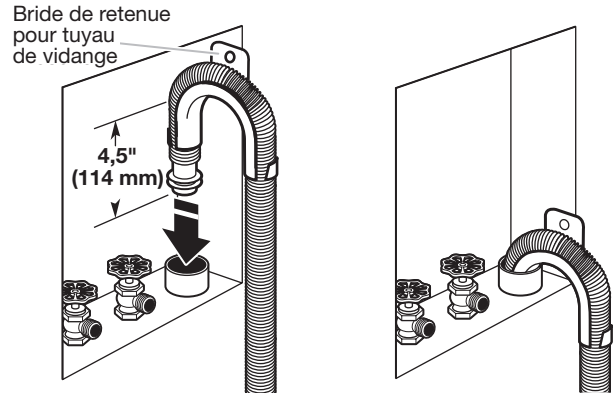
3. Serrer la bride avec une pince et faire glisser l'extrémité coudée du tuyau de vidange sur l'orifice de vidange de la laveuse, puis fixer avec la bride.



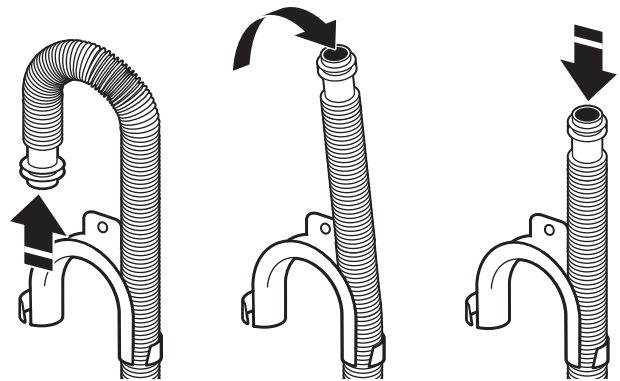
4. Le système de vidange de la laveuse peut être installé à l'aide d'un avaloir de sol, un tuyau rigide de rejet à l'égout mural, un tuyau rigide de rejet à l'égout au sol ou un évier de buanderie.

5. Placer le tuyau dans le tuyau de rejet à l'égout (illustré sur l'image) ou par-dessus le côté de l'évier de buanderie.

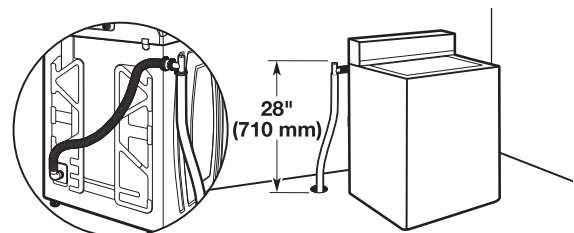
IMPORTANT : 4,5" (114 mm) du tuyau de vidange doit être à l'intérieur du tuyau de rejet à l'égout; ne pas forcer l'excédent de tuyau dans le tuyau de rejet à l'égout ni le placer dans l'évier de buanderie. On doit utiliser la bride de retenue pour tuyau de vidange.



6. Pour les installations avec vidange au plancher, il faut retirer la bride de retenue pour tuyau de vidange de l'extrémité du tuyau de vidange. Des pièces supplémentaires avec des directives distinctes seront peut-être nécessaires. Voir "Outillage et pièces".

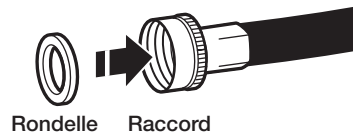


7. Le système de vidange au sol nécessite un brise-siphon qui peut être acheté séparément. Le brise-siphon (pièce numéro 285834) doit se trouver au moins à 28" (710 mm) de la base de la laveuse. Des tuyaux supplémentaires peuvent s'avérer nécessaires.



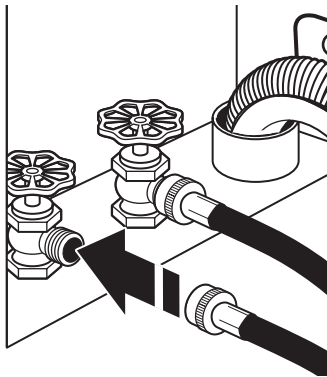
RACCORDEMENT DES TUYAUX D'ARRIVÉE D'EAU

Insérer les rondelles de tuyau neuves (fournies) dans chaque extrémité des tuyaux d'arrivée d'eau. Insérer fermement les rondelles dans les raccords.

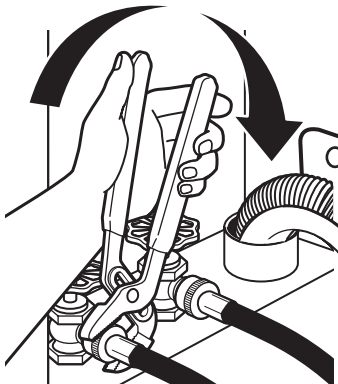


Raccorder les tuyaux d'arrivée d'eau aux robinets

1. Fixer le tuyau au robinet d'eau chaude. Visser le raccord à la main jusqu'à ce qu'il repose sur la rondelle. Répéter l'opération pour l'eau froide.



2. Serrer les raccords de deux tiers de tour supplémentaires à l'aide d'une pince.



IMPORTANT : Ne pas serrer excessivement ni utiliser de ruban adhésif ou de dispositif d'étanchéité sur la valve lors de la fixation aux robinets ou à la laveuse. Cela pourrait entraîner des dommages.

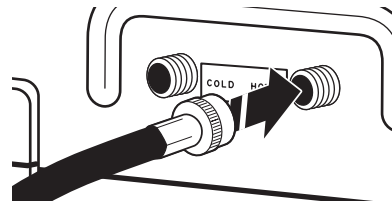
Purger les canalisations d'eau

- Laisser s'écouler l'eau des deux robinets et les tuyaux d'arrivée d'eau dans un évier de buanderie, un tuyau rigide de rejet à l'égout ou un seau pour éliminer les particules se trouvant dans les canalisations d'eau qui pourraient obstruer les tamis de la valve d'arrivée d'eau.
- Vérifier la température de l'eau pour s'assurer que le tuyau d'eau chaude est connecté au robinet d'eau chaude et que le tuyau d'eau froide est connecté au robinet d'eau froide.

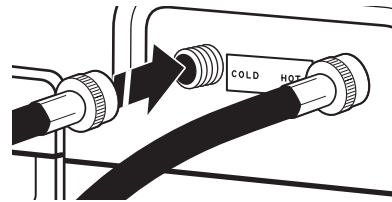


Raccorder les tuyaux d'arrivée d'eau à la laveuse

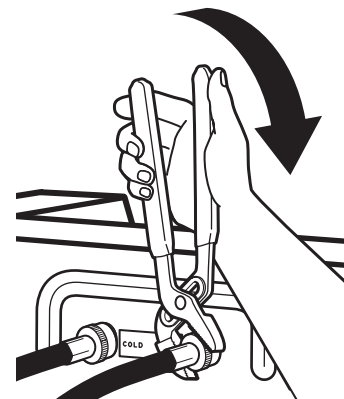
1. Fixer le tuyau d'eau froide au robinet d'arrivée d'eau froide cerclé de bleu. Visser le raccord à la main jusqu'à ce qu'il soit bien serré.



2. Fixer le tuyau d'eau chaude au robinet d'arrivée d'eau chaude indiquée par une bague rouge. Visser le raccord à la main jusqu'à ce qu'il soit bien serré.

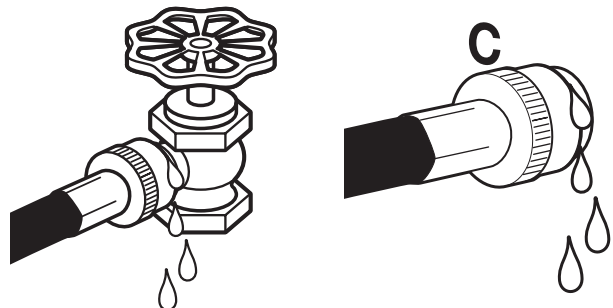


3. Serrer les raccords de deux tiers de tour supplémentaires à l'aide d'une pince.



REMARQUE : Ne pas serrer excessivement. Les robinets risquent d'être endommagés.

4. Ouvrir les robinets d'eau pour vérifier qu'il n'y a pas de fuite. Une petite quantité d'eau peut entrer dans la laveuse. Elle s'évacuera plus tard.



REMARQUE : Remplacer les tuyaux d'arrivée d'eau après 5 ans d'utilisation pour réduire le risque de défaillance intempestive. Prendre note de la date d'installation ou de remplacement des tuyaux d'arrivée d'eau, pour référence ultérieure.

Inspecter périodiquement les tuyaux et les remplacer en cas de renflement, de déformation, de coupure, d'usure ou si une fuite se manifeste.

ÉTABLISSEMENT DE L'APLOMB DE LA LAVEUSE

IMPORTANT : L'établissement correct de l'aplomb de la laveuse permet de réduire les nuisances sonores et de limiter les vibrations.

⚠ AVERTISSEMENT

Risque du poids excessif

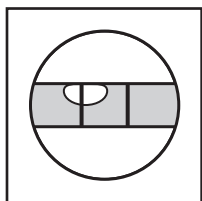
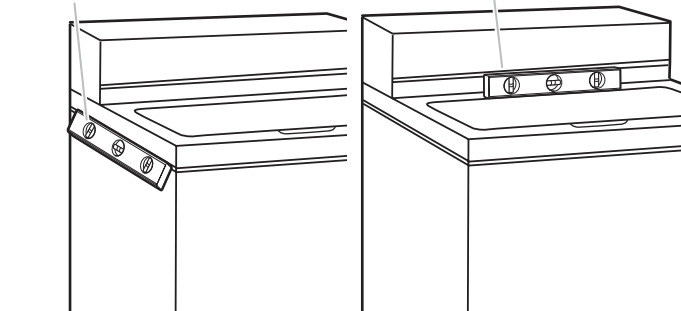
Utiliser deux ou plus de personnes pour déplacer et installer la laveuse/sécheuse.

Le non-respect de cette instruction peut causer une blessure au dos ou d'autre blessure.

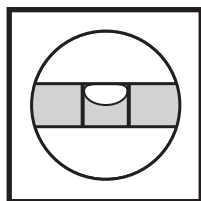
1. Mettre la laveuse est à son emplacement final. Placer un niveau sur les bords supérieurs de la laveuse. Utiliser une rive latérale comme guide pour déterminer l'aplomb des côtés. Vérifier l'aplomb de l'avant à l'aide du couvercle, tel qu'indiqué. Faire bouger la laveuse d'avant en arrière pour s'assurer que les quatre pieds sont bien en contact avec le plancher.

Placer le niveau à cet endroit

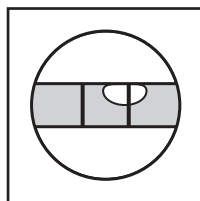
Placer le niveau à cet endroit



Pas d'aplomb



APLOMB



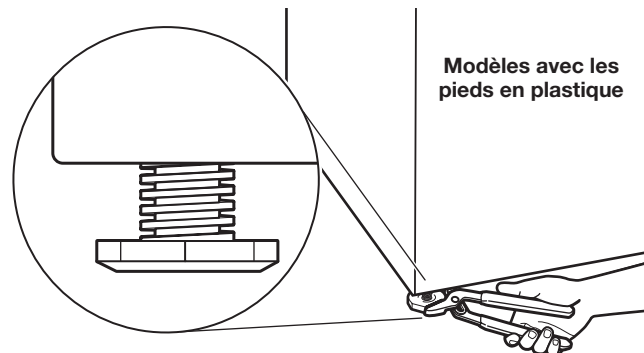
Pas d'aplomb

2. Sur les modèles avec les pieds en métal, utiliser une clé plate ou une clé à molette de 9/16" ou 14 mm pour tourner les contre-écrous dans le sens horaire jusqu'à ce qu'ils se trouvent à environ 1/2" (13 mm) de la caisse de la laveuse. Tourner ensuite le pied de nivellement dans le sens horaire pour abaisser la laveuse ou antihoraire pour la soulever.

Sur les modèles avec les pieds en plastique, utiliser une pince réglable pour tourner le pied de nivellement dans le sens antihoraire pour abaisser la laveuse ou horaire pour la soulever.

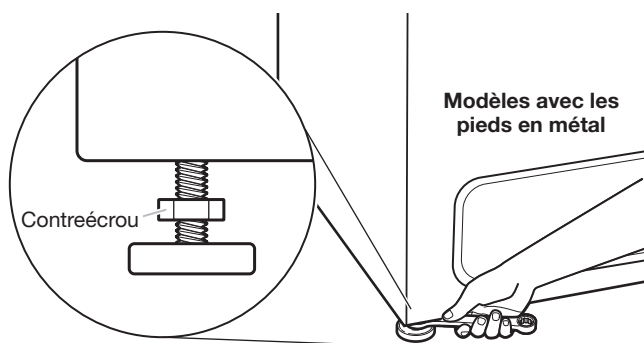
Sur tous les modèles, contrôler à nouveau l'aplomb de la laveuse et répéter au besoin.

CONSEIL UTILE : Il serait judicieux de soulever l'avant de la laveuse d'environ 4" (102 mm) à l'aide d'une cale en bois ou d'un objet similaire qui soutiendra le poids de la laveuse.



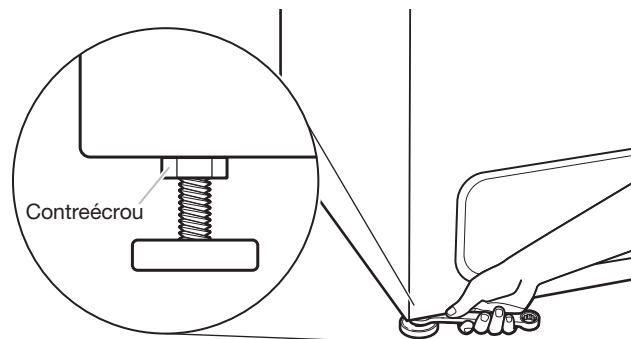
Modèles avec les pieds en plastique

ou



Modèles avec les pieds en métal

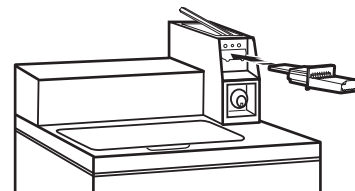
3. Sur les modèles avec les pieds en métal, une fois l'aplomb de la laveuse établi, utiliser une clé plate ou une clé à molette de 9/16" ou 14 mm pour tourner les contre-écrous sur les pieds de nivellement dans le sens anti-horaire et les serrer fermement contre la caisse de la laveuse.



INSTALLATION DE LA GLISSIÈRE ET DE LA BOÎTE À MONNAIE

Sur certains modèles, le mécanisme de glissière, le verrou et la clé de la porte de service et le verrou et la clé de la boîte à monnaie ne sont pas inclus mais ces pièces sont disponibles auprès des fournisseurs industriels classiques.

Enlever la porte de service du compteur en la soulevant par l'arrière. Installer le dispositif de réception de la monnaie. (Consulter les instructions du fabricant concernant l'installation).



Pour les laveuses utilisant des glissières, utiliser l'ensemble d'adaptateur fourni avec la laveuse.

Installer un verrou et une came sur la porte de service du boîtier du compteur. Installer la chambre à pièces et son verrou dans l'ouverture du boîtier du compteur.

ACHEVER L'INSTALLATION

⚠ AVERTISSEMENT



Risque de choc électrique

Brancher sur une prise à 3 alvéoles reliée à la terre.

Ne pas enlever la broche de liaison à la terre.

Ne pas utiliser un adaptateur.

Ne pas utiliser un câble de rallonge.

Le non-respect de ces instructions peut causer un décès, un incendie ou un choc électrique.

- Vérifier la présence de tous les outils.
- Vérifier que tout le matériel d'expédition a été retiré de la laveuse.
- Éliminer/recycler tous les matériaux d'emballage.
- Vérifier que les robinets d'eau sont ouverts.
- Vérifier qu'il n'y a pas de fuite autour des robinets et des tuyaux d'arrivée d'eau.
- Ôter la pellicule de la console et tout ruban adhésif resté sur la laveuse.
- Brancher sur une prise reliée à la terre ou connecter la source de courant électrique.
- Vérifier que le disjoncteur ne s'est pas déclenché et qu'aucun fusible n'est grillé.
- Démarrer la laveuse à l'aide du système de paiement (si elle en comporte un) pour vérifier que le programme de lavage arrive bien à terme sans qu'aucun code d'erreur ou fuite n'apparaisse.

- Consulter les spécifications électriques. S'assurer de disposer d'une source d'électricité appropriée et d'une liaison à la terre conforme à la méthode recommandée.
- Vérifier que toutes les pièces sont maintenant installées. S'il reste une pièce, passer en revue les différentes étapes pour découvrir laquelle aurait été oubliée.

TAILLE TYPIQUE DES CHARGES COMPLÈTES

Type de charge	Suggestion de chargement	Type de charge	Suggestion de chargement
Charge mixte	3 draps (lit à 2 places) 4 taies d'oreiller 6 shorts 8 T-shirts 2 chemises 2 chemisiers 8 mouchoirs	Vêtements de travail très sales	3 pantalons 3 chemises 1 combinaison 4 jeans 1 salopette
Pressage permanent	2 draps (lit à 2 places) ou 1 drap (lit très grand) 1 nappe 1 robe 1 chemisier 2 pantalons 3 chemises 2 taies d'oreiller	Tricots	3 chemisiers 4 pantalons 6 chemises 4 tricots 4 robes

ENTRETIEN DE LA LAVEUSE

Conseils d'utilisation

AVERTISSEMENT



Risque d'incendie

Ne jamais mettre des articles humectés d'essence ou d'autres fluides inflammables dans la laveuse.

Aucune laveuse ne peut complètement enlever l'huile.

Ne pas faire sécher des articles qui ont été salis par tout genre d'huile (y compris les huiles de cuisson).

Le non-respect de ces instructions peut causer un décès, une explosion ou un incendie.

Il est recommandé de ne pas laver d'articles en fibre de verre dans une laveuse payante. Si on lave ces articles dans la laveuse, faire fonctionner un programme complet pour rincer les éventuels résidus restés dans la laveuse.

IMPORTANT : Le détergent, l'agent de blanchiment et l'assouplissant pour tissu doivent être versés dans les distributeurs avant d'ajouter les vêtements et on ne doit mettre en marche la laveuse qu'après avoir effectué ces opérations car le couvercle se verrouille une fois que la laveuse a démarré.

TRANSPORT DE LA LAVEUSE

- Fermer les deux robinets d'eau. Débrancher et vidanger les tuyaux d'arrivée d'eau.
- Déconnecter le tuyau d'évacuation du système de vidange et vider l'eau qui reste dans un bac ou un seau. Déconnecter le tuyau d'évacuation de l'arrière de la laveuse.
- Débrancher le cordon d'alimentation.
- Placer les tuyaux d'arrivée d'eau et le tuyau d'évacuation dans le panier de la laveuse.
- Faire passer le cordon d'alimentation par dessus le bord et le mettre dans le panier de la laveuse.
- Replacer le support d'emballage issu du matériel d'expédition d'origine à l'intérieur de la laveuse et réutiliser la base d'expédition pour soutenir le moteur et la cuve. Si vous n'avez plus l'emballage d'origine, placer des couvertures lourdes ou des serviettes au-dessus du panier, entre le sommet de la laveuse et le pourtour de la cuve. Fermer le couvercle et placer du ruban adhésif sur le couvercle et jusqu'à la partie inférieure avant de la laveuse. Laisser le couvercle fermé par l'adhésif jusqu'à ce que la laveuse soit installée à son nouvel emplacement.

SI VOUS AVEZ BESOIN D'ASSISTANCE

Contactez le revendeur autorisé d'appareils de buanderie à usage commercial. Pour localiser votre revendeur autorisé d'appareils de buanderie à usage commercial ou pour toute question via internet, consultez www.WhirlpoolCommercialLaundry.com.

Si vous ne parvenez pas à localiser un revendeur, le centre d'aide pour les appareils de buanderie à usage commercial répond à toute question qui n'aurait pas été abordée dans les "Instructions d'installation" au sujet du fonctionnement ou de l'entretien de la laveuse.

Il suffit de composer le **1-800-662-3587** – l'appel est gratuit.

Lors de votre appel, vous aurez besoin du numéro de modèle et de série de la laveuse. Ces deux numéros figurent sur la plaque signalétique située dans l'encadrement de la porte de la laveuse.

PIÈCES SUPPLÉMENTAIRES ET ACCESSOIRES

Il se peut que l'installation nécessite des pièces supplémentaires. Pour acheter l'un des articles indiqués ici, composer le numéro sans frais indiqué à la section "Assistance".

Si vous avez :	Il vous faudra :
Un égout surélevé	Tuyau de vidange standard de 20 gal. (76 L) de 39" (990 mm) de haut ou évier de décharge, pompe de puisard et connecteurs (disponibles chez les vendeurs de matériel de plomberie locaux)
Tuyau de rejet à l'égout rigide de diamètre 1" (25 mm)	Adaptateur pour tuyau rigide de rejet à l'égout rigide de diamètre 2" (51 mm) à 1" (25 mm), pièce numéro 3363920 Ensemble de connection, pièce numéro 285835
Le système d'évacuation obstrué par de la charpie	Protecteur de canalisation, pièce numéro 367031 Ensemble de connection, pièce numéro 285835
Système d'avaloir de sol	Brise-siphon, référence 285834, Ensemble de raccordement (x2), référence 285835 Prolongateur de tuyau flexible de vidange, référence 285863
Robinets d'eau hors d'atteinte des tuyaux d'alimentation	2 tuyaux de remplissage plus longs : tuyau coudé à 90° de 6 pi (1,8 m), pièce numéro 76314, 10 pi (3 m), pièce numéro 350008
	Les tuyaux d'arrivée d'eau sont vendus en paire dans l'ensemble W10575888
Accessoires	
	Plateau d'égouttement de la laveuse, pièce numéro 8212526
	Capuchon/Couvercle - Distributeur d'agent de blanchiment. Pièce numéro W10515386A
	Ensemble distributeur d'assouplissant pour tissu. Pièce n° W10461164A
	Support arrière principal sur la partie supérieure de l'appareil W10576550 (2 par ensemble)

Whirlpool Corporation, Benton Harbor, Michigan 49022, U.S.A.

W10474263E
W10474279E – SP

®/™ © 2013 Whirlpool. All rights reserved.
Used under license in Canada.
®/™ © 2013 Whirlpool. Tous droits réservés.
Emploi sous licence au Canada.

06/2013
Printed in U.S.A.
Imprimé aux États-Unis