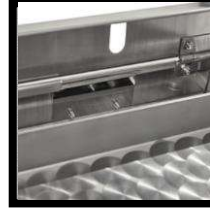


Model No. C3C050

50" Built-In Combo Grill

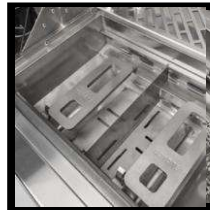


Exterior



FEATURES

- Analog Temp Gauge
- Newly Handle & End Cap
- Newl Knob & Bezel (No Light)
- Flame Indicator
- 304 SS Construction
- Double Walled Hood
- Adjustable Dampers



FEATURES

- 20k BTU Infinity Burners
- 304ss Rolled Grates
- Volcanic Stone Ceramic Briquettes
- U-Burners 17K BTU
- Food Guard
- Safety Valve & Thermocouple



Interior

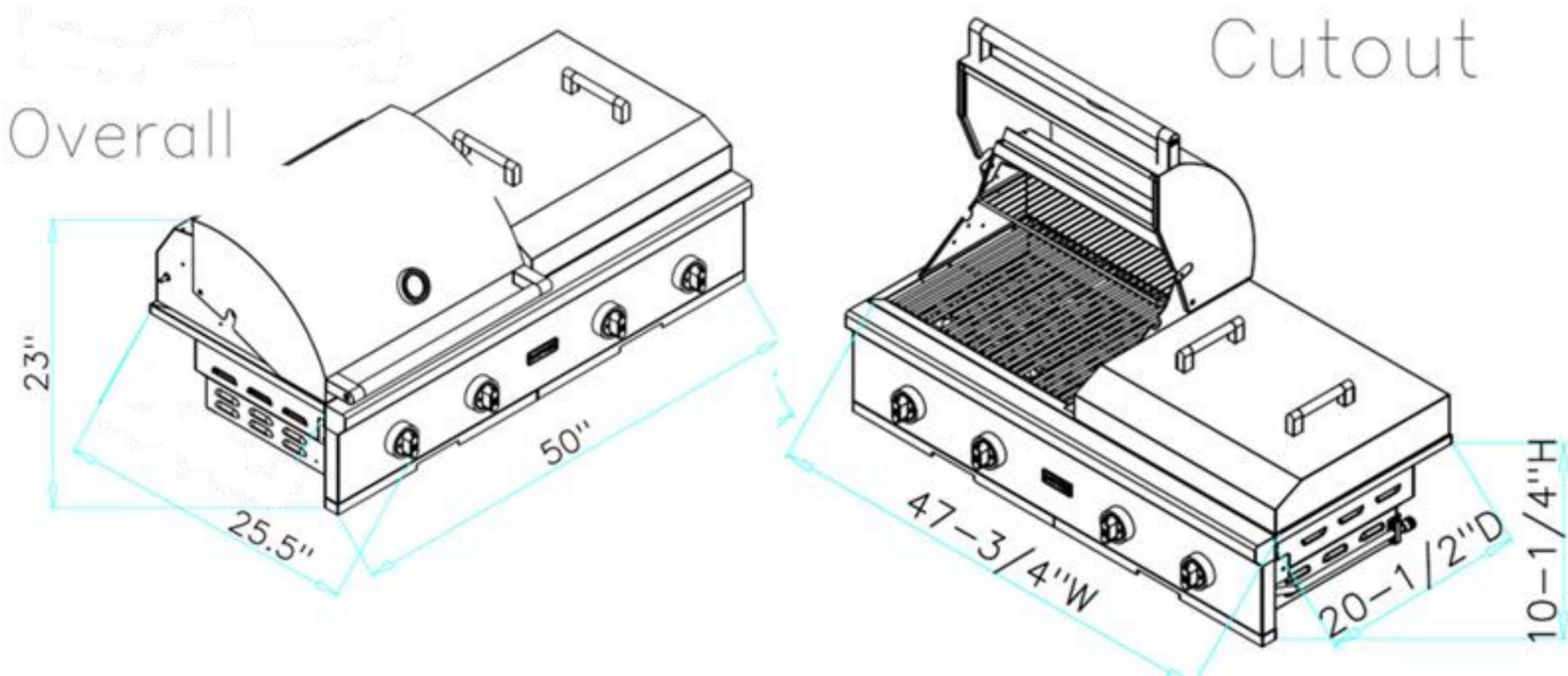
ACCESSORIES

- Cover (CCVR)
- Color Knob Inserts: CKNOBBK, CKNOBY, CKNOBSS, CKNOBR, CKNOBC

DIMENSIONS

- Overall: 25 3/8" H x 50" W x 25.5" D
- Cutout: 13" H x 47 3/4" W x 20.5" D

DIMENSIONAL RENDERINGS



Overall Product Dimensions			
Model No.	Height	Width	Depth
C3C050	23"	50"	25.5"

Cutout Product Dimensions			
Model No.	Height	Width	Depth
C3C050	10.25"	47 3/4"	20.5"

Model No.	Gas Supply	BTU's	Regulator	WC Pressure	Max PSI	Electrical Requirements
C3C050LP	Propane	40,000	20 lb Tank Regulator	11"	0.5 PSI	1 Qty - 120 VAC 60 Hz Grounded Plug
C3C050NG	Natural Gas	40,000	0.5" Female Pipe	4"	0.5 PSI	1 Qty - 120 VAC 60 Hz Grounded Plug