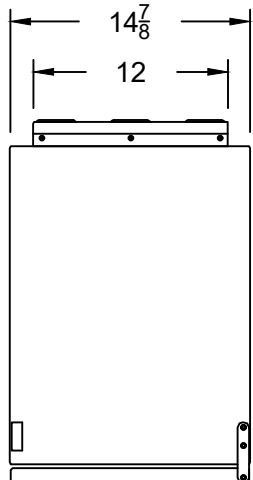




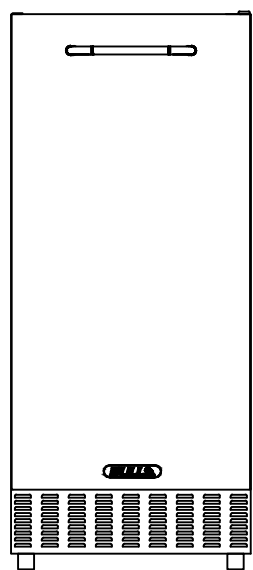
WWW.BULLBBQ.COM

SPEC SHEET
ITEM# 13200
OUTDOOR RATED
ICE MAKER



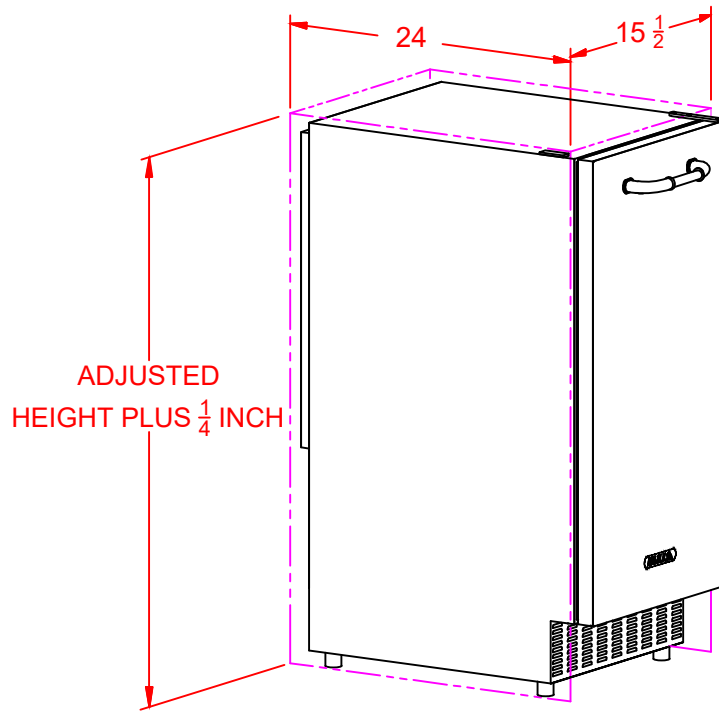
TOP VIEW

$14\frac{13}{16}$
(DOOR WIDTH)

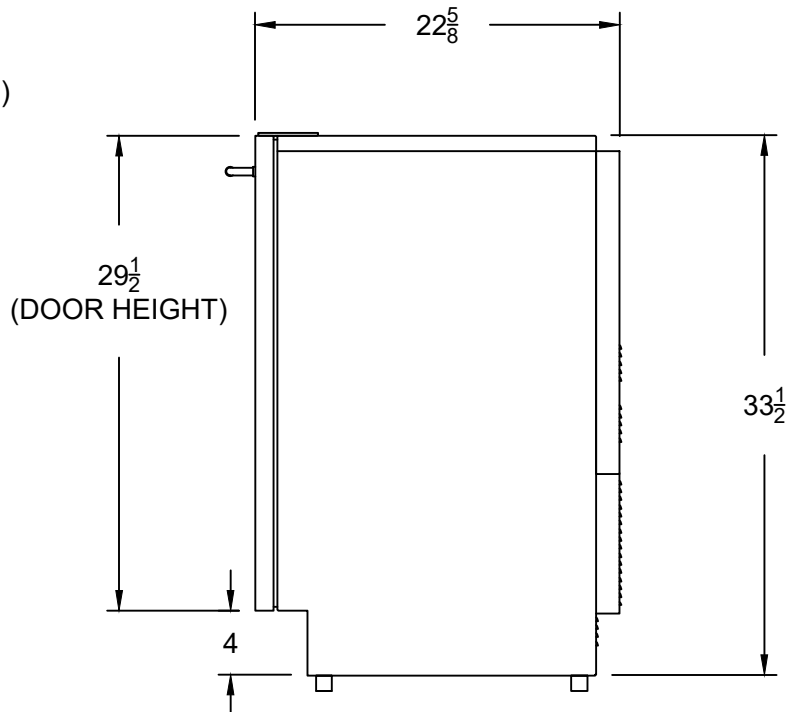


FRONT VIEW

$33\frac{7}{8}$ MIN
 $34\frac{5}{8}$ MAX



PERSPECTIVE VIEW
INSTALLATION CUT OUT DIMENSIONS



RIGHT SIDE VIEW

NOTES:

- 1) ALL DIMENSIONS ARE IN INCH UNITS
- 2) REFER TO PERSPECTIVE VIEW FOR INSTALLATION CUTOUT DIMENSIONS.
- 3) FINISHING FRAME AVAILABLE THROUGH BULL REF ITEM NO. 13202