



SCR486LCSS



33" x 19" x 19.5" (H x W x D)

Commercial freestanding beverage merchandiser with glass door, stainless steel cabinet, front lock, and digital thermostat

Highlights:

Commercially listed for use in foodservice establishments

Digital thermostat with convenient external location for easy temperature control

Factory installed lock provides security you can count on

Recessed LED lighting offers an attractive and efficient display

Product Features:

Commercially approved	ETL-S listed to NSF-7 standards for use in commercial settings
Double pane tempered glass door	Heat resistant design provides clear view of stored products, with an elegant trim in stainless steel
Stainless steel wrapped cabinet	Stainless steel exterior provides a professional look with lasting durability
Digital thermostat	Precise temperature management at the touch of a button, with an external display for added convenience
Recessed LED lighting	Externally located controls make it easy to manage the interior light, keeping products in full view to increase impulse sales
Professional handle	Stainless steel handle adds an attractive touch
Factory installed lock	Keyed lock ensures a secure interior
Automatic defrost	Reduced user maintenance with auto defrost system
Adjustable chrome shelves	Rearrange the refrigerator space to fit any sized item or remove shelves for simple cleanup



SUMMIT APPLIANCE DIVISION FELIX STORCH, INC.

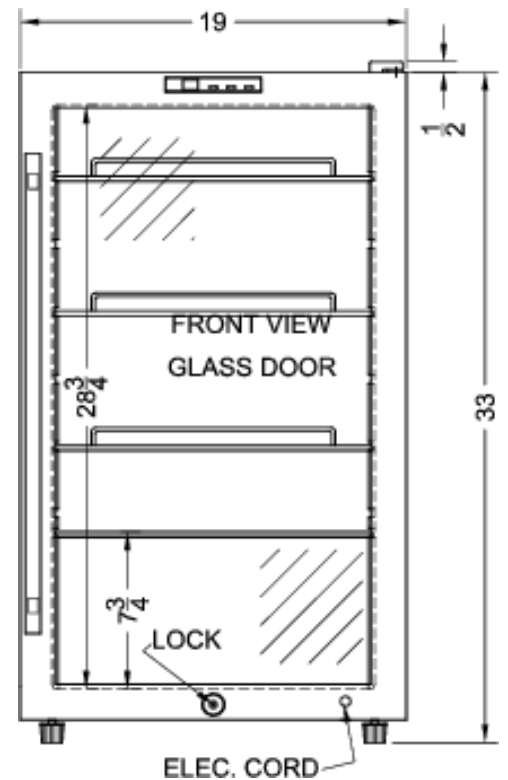
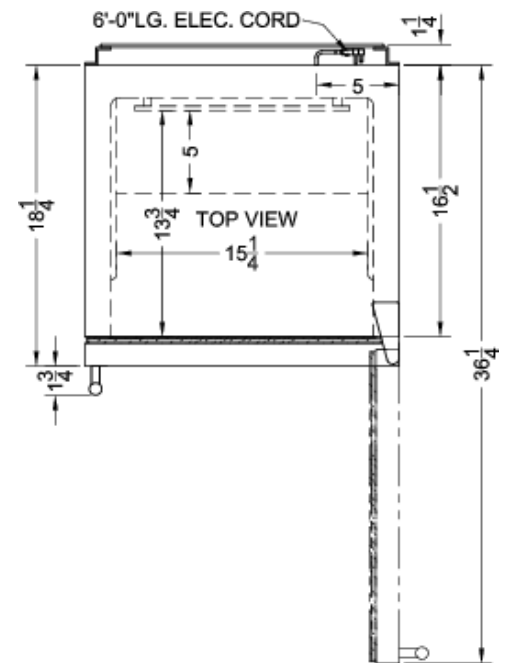
770 Garrison Avenue, Bronx, NY 10474 USA TEL 718-893-3900 FAX 844-478-8799 info@summitappliance.com www.summitappliance.com



SCR486LCSS Specifications:

Overview	
Height	33.0"
Height to Hinge Cap	33.5"
Width	19.0"
Depth	19.5"
Depth with Handle	20.0"
Depth with door at 90°	36.25"
Capacity	3.35 cu.ft.
Defrost Type	Automatic
Door	Glass
Cabinet	Stainless Steel
US Electrical Safety	ETL
Canadian Electrical Safety	ETL-C
Sanitation	ETL-S
Amps	1.3
Voltage/Frequency	115 V AC/60 Hz
Weight	77.0 lbs.
Shipping Weight	100.0 lbs.
Parts & Labor Warranty	1 Year
Compressor Warranty	5 Years
Refrigerator Features	
Door Swing	RHD
Reversible	No
Shelf Type	Chrome
Shelf Qty	4
Adjustable Shelves	Yes
Thermostat Type	Digital
Refrigerant Type	R134a
Refrigerant Amount	3.95oz.
High Side PSI	270.0
Low Side PSI	103.0
Level Legs Qty	2
Interior Light	Yes
Dimensions	
Interior Height	28.75"
Interior Width	15.25"
Interior Depth	13.75"
Compressor Step Height	7.75"

Compressor Step Width	15.25"
Compressor Step Depth	5.0"



SUMMIT APPLIANCE DIVISION FELIX STORCH, INC.

770 Garrison Avenue, Bronx, NY 10474 USA TEL 718-893-3900 FAX 844-478-8799 info@summitappliance.com www.summitappliance.com