



# SCR1156CSS



58.38" x 23.63" x 22.88" (H x W x D)

Commercial beverage merchandiser with 11 cu.ft. capacity, SS interior, self-closing door, digital thermostat, and SS wrapped cabinet

## Highlights:

Commercially listed to NSF-7 standards for use in foodservice establishments

ENERGY STAR certified commercial refrigerator

Full display all the way down to the floor

Self-closing door is ideal for busy commercial settings

## Product Features:

Commercially listed	ETL-S listed to NSF standards for commercial use
ENERGY STAR certified commercial performance	Meets ENERGY STAR standards as a commercial refrigerator
Factory installed lock	Keyed lock for secure interior
Double pane tempered glass door	Heat-safe glass door offers full display all the way down to the floor
Stainless steel wrapped cabinet	Durable design brings a professional look to any setting
Recessed LED lighting	Energy efficient lighting offers full view of interior
Self-closing door	Door will automatically close when left ajar, preventing items from accidentally being exposed to ambient temperatures
Digital thermostat	Electronic controls for precise temperature management with a readout in Celsius or Fahrenheit
Professional handle	Solid chrome handle with brushed stainless steel look



SUMMIT APPLIANCE DIVISION FELIX STORCH, INC.

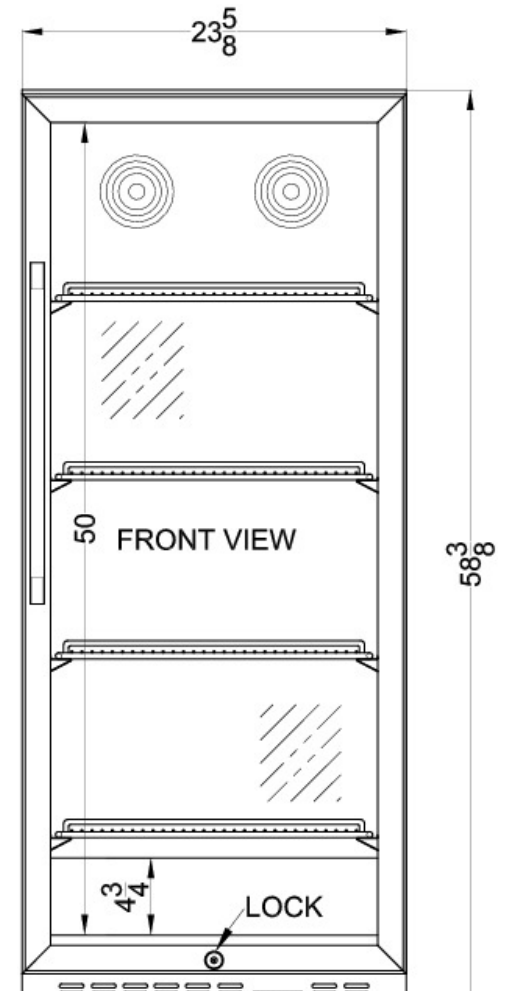
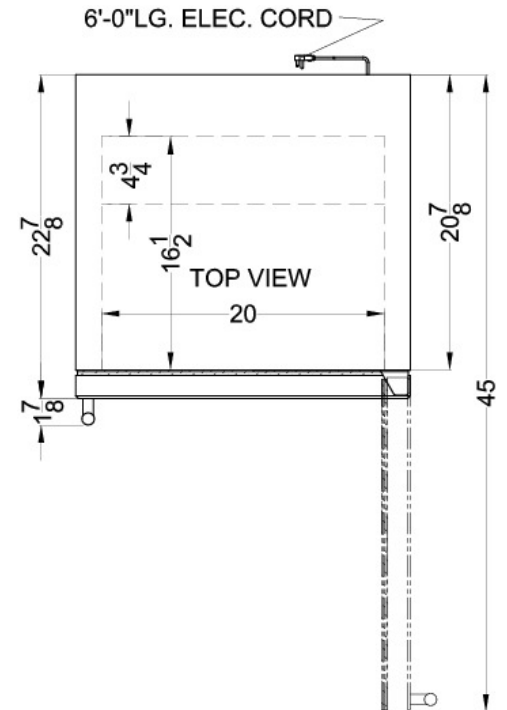
770 Garrison Avenue, Bronx, NY 10474 USA TEL 718-893-3900 FAX 844-478-8799 info@summitappliance.com  www.summitappliance.com



## SCR1156CSS Specifications:

Overview	
Height	58.38"
Width	23.63"
Depth	22.88"
Depth with Handle	24.0"
Depth with door at 90°	45.0"
Capacity	11.0 cu.ft.
Defrost Type	Automatic
Door	Glass
Cabinet	Stainless Steel
US Electrical Safety	ETL
Canadian Electrical Safety	ETL-C
Sanitation	ETL-S
Amps	1.7
Voltage/Frequency	115 V AC/60 Hz
Weight	150.0 lbs.
Shipping Weight	170.0 lbs.
Parts & Labor Warranty	1 Year
Compressor Warranty	5 Years
Refrigerator Features	
Door Swing	RHD
Reversible	No
Shelf Type	Chrome
Shelf Qty	4
Adjustable Shelves	Yes
Thermostat Type	Digital
Fan Type	Interior and Exterior
Refrigerant Type	R600a
Refrigerant Amount	1.66
High Side PSI	270.0
Low Side PSI	105.0
Level Legs Qty	4
Interior Light	Yes
Dimensions	
Interior Height	50.0"
Interior Width	20.0"
Interior Depth	16.5"

Compressor Step Height	4.75"
Compressor Step Width	20.0"
Compressor Step Depth	4.75"



SUMMIT APPLIANCE DIVISION FELIX STORCH, INC.

770 Garrison Avenue, Bronx, NY 10474 USA TEL 718-893-3900 FAX 844-478-8799

info@summitappliance.com



www.summitappliance.com

ELEC. CORD