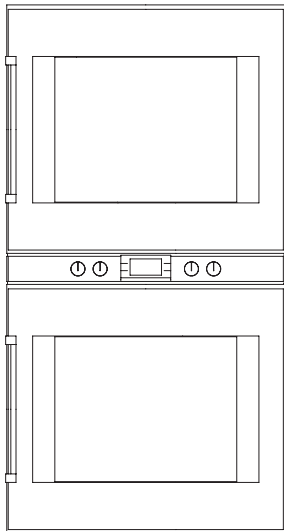


New 200 Series Double Oven

Metal behind glass

Pyrolytic self-cleaning system

Width 30" (76 cm)



Right-hinged

BX 280-610*

Stainless steel-backed full glass door

BX 280-630*

aluminum-backed full glass door

Left-hinged

BX 281-610*

Stainless steel-backed full glass door

BX 281-630*

aluminum-backed full glass door

*Available 3rd quarter 2007.

Included accessories:

For the upper oven:

- One wire rack.
- One baking tray.
- One broil tray with wire rack.

For the lower oven:

- One core temperature sensor.
- One rotisserie spit.
- One wire rack.
- One baking tray.
- One broil tray with wire rack.

Optional accessories:

BX 280/281-...*

- Two 30" ovens vertically stacked.

- 17 heating modes per oven compartment. Prepare several courses simultaneously in one appliance.
- Pyrolytic system for easy oven cleaning.

Universal heating system with 17 heating modes.
Electronic temperature control from 85°F - 570°F.

Net volume per cooking compartment 4.5 cu.ft.

LCD function display with digital clock.
Timer functions: cooking time, switch off time, short-term timer, stop watch, long-term timer.
Rotary knob and touch key operation.

Core temperature sensor with automatic shut off (lower oven).
Rotisserie spit (lower oven).
Thermo-Test actual temperature display.
Super-Quick preheating.
Baking stone outlet.
Menu settings.

75 W halogen light on the top.
10 W halogen light on the side.
Gaggenau Clean-Enamel.
Enamel wire racks on the side with 5 rack levels, pyrolytic safe.
Thermally insulated door with quadruple glazing.
Child lock.
Safety lock.
Side-opening door opens up to 180° angle.
Cooled housing with temperature protection.

Pyrolytic self-cleaning.
Heated air cleaning catalyst.

BA 058-131 Baking stone with support and pizza peel (heating element must be ordered separately).

BA 058-111 Heating element. Necessary accessory for baking stone BA 058-131.

A cast roaster for the roasting function of the new BO 200 Series is in development.

Additional accessories on page 25-26.

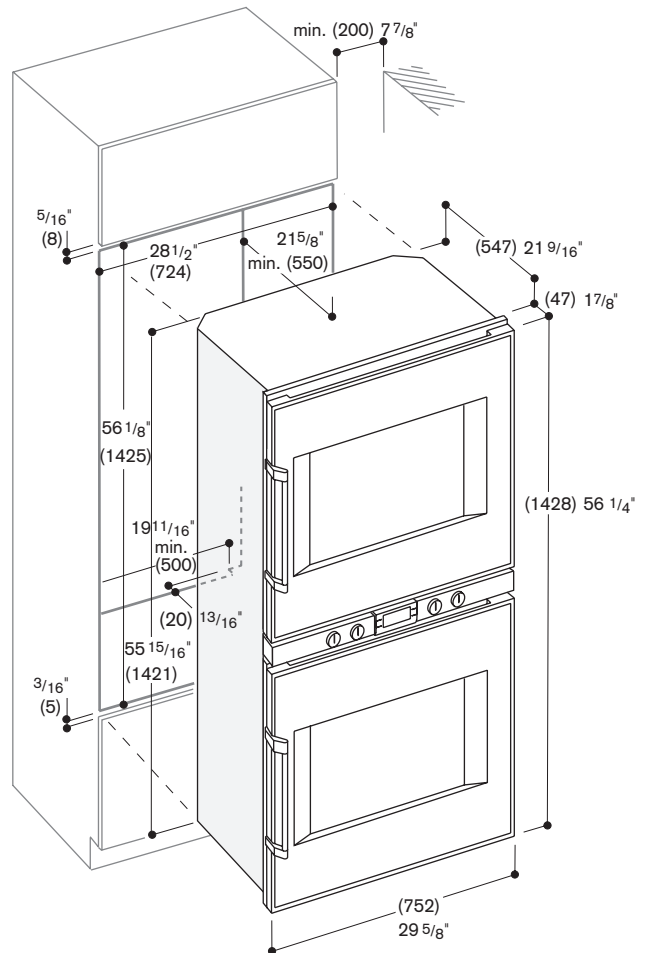
Planning notes:

Door hinge not reversible.

The front of the appliance extends 1 7/8" from the cabinet front.
The outer edge of the door handle extends 3 11/16" from the cabinet front.
When planning a corner solution, pay attention to the 90° door opening angle.
Consider the overhang, incl. the door handle, when planning to open drawers next to the appliance.
Plan a gap of at least 3/16" between the appliance and adjacent cabinets.
To achieve the 21 5/8" installation depth, the connecting cable needs to follow the slanted edge on the lower right hand corner of the housing. The plug needs to be planned outside the cut-out niche.

Rating:

Total rating: 9.2 kW.
Total Amps: 40 or 3 x 16 Amps
208/220-240V/60Hz
Plan for a connecting cable.



Numbers indicated inside parenthesis () = mm