

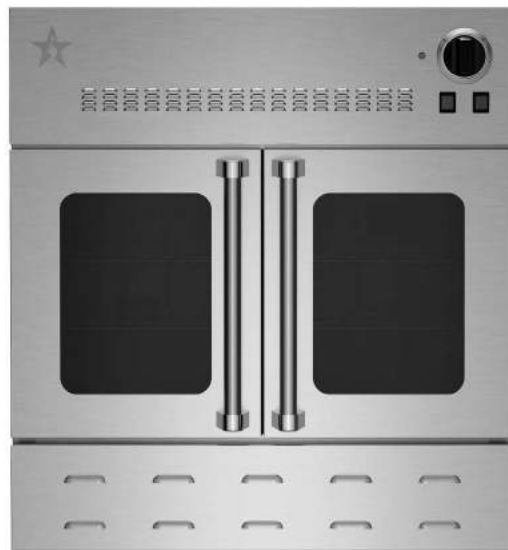
BLUESTAR 30" GAS WALL OVEN SERIES

With over 130 years of experience making cooking equipment, and as the leading manufacturer of high-performance commercial-style ranges for the home, it is no surprise that BlueStar[™] makes the finest residential gas wall ovens available. The unparalleled accuracy and versatility found in the baking and roasting qualities of our convection oven make this an unsurpassed addition to every cook's favorite room in the house.

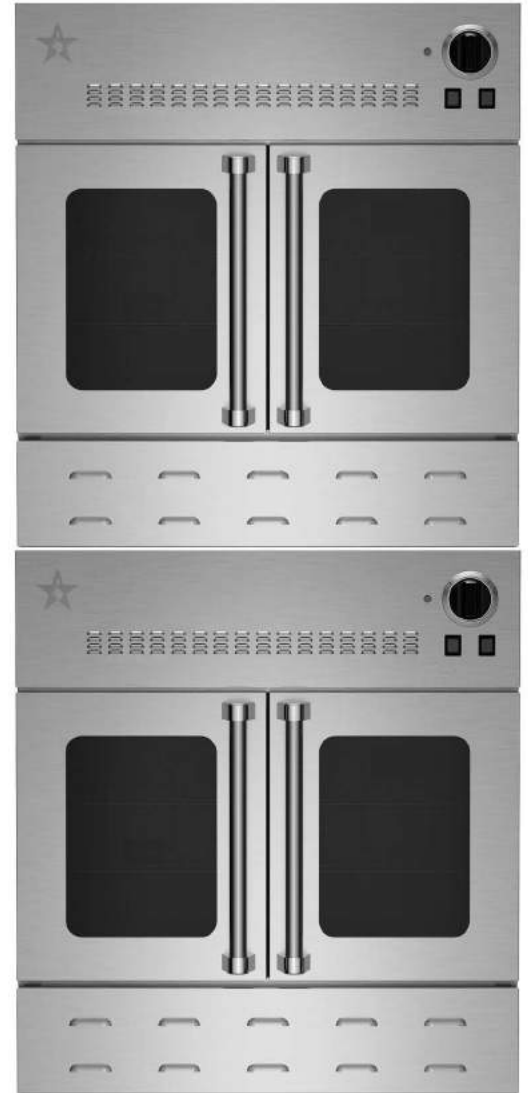
Heavy-duty construction combined with innovative features produce an appliance of uncompromising durability, functionality, and beauty that will be the focal point of your kitchen for years to come!

BlueStar 30" Gas Wall Oven Series

- Extra large oven capacity: 26.25"W x 20"D x 15"H.
- Features French doors.
- Available in single and stackable versions.
- Powerful 25,000 BTU burner within each oven.
- 15,000 BTU ceramic infrared broiler.
- Heat assist element standard for quick start-ups and 3,000 BTU of additional power.
- Accommodates a full size commercial 18" x 26" baking sheet.
- Convection oven cooking.
- Available in 190 colors.



▲ Model BWO30AGS in Stainless Steel.



▲ Model BWO30AGS (2) in Stainless Steel with stacking kit.

5 of the 190 available colors:



▲ Ruby Red
RAL 3003



▲ Traffic Yellow
RAL 1023



▲ Cobalt Blue
RAL 5013

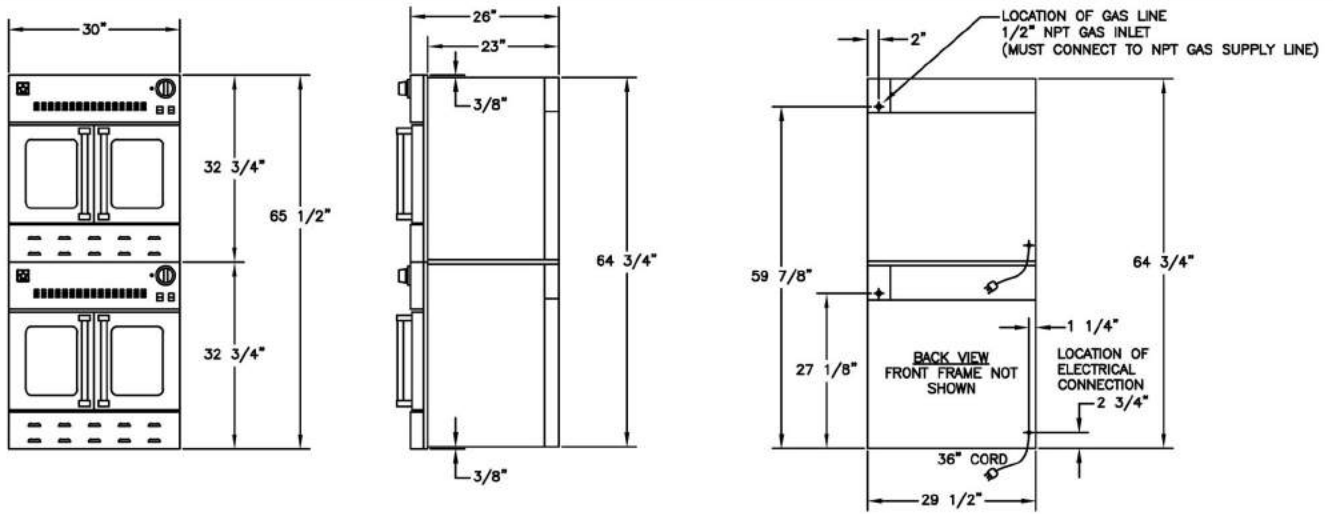
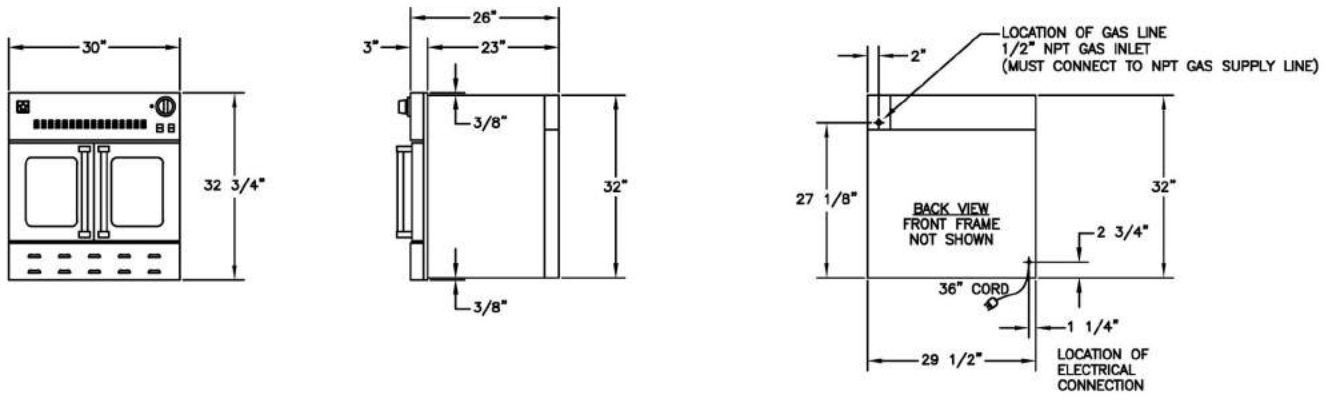


▲ Pure Orange
RAL 2004



▲ Moss Green
RAL 6005

BLUESTAR 30" GAS WALL OVEN SERIES



SPECIFICATIONS

Single Oven Dimensions: 30"W x 26"D x 32.75"H

Oven Interior: 26.25"W x 20"D x 15"H

Oven Burner Rating: 25,000 BTUs

Infrared Broiler Rating: 15,000 BTUs

Oven Heat Assist Element: 3,000 BTUs

Single Oven Electrical Requirements:

120V, 60Hz, 15 AMPS, 1 PH

(Unit must be on a Non-GFI, dedicated outlet)

Operating Gas Pressure: NAT: 5.0" WC, LP: 10.0" WC

Gas Line Size: 1/2"

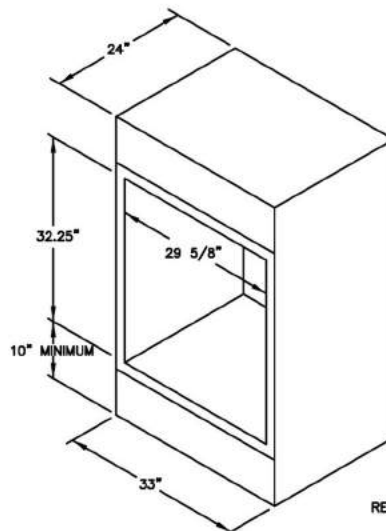
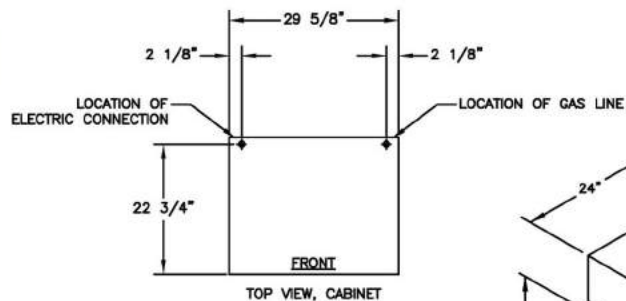
MODEL CONFIGURATIONS

Single Gas Wall Oven

BWO30AGS

DESIGN OPTIONS

• Oven color, knob color, trim finish



RECOMMENDED CABINET WIDTH
FOR 30" OVEN IS 33"

CLEARANCES

