

Induct style into your kitchen with BlueStar's new professional-grade induction range! Bring the precision and speed of induction cooking home with burners that offer exceptional control plus an oversized convection oven.

PRODUCT FEATURES

- Nine heat levels for each cooking zone, controlled by knobs that provide precise control and flexibility
- Four cooking zones efficiently transfer heat to cookware and instantaneously respond to burner adjustments
- Highly responsive 3,700 Watt power boost allows for a rapid boil and intense sear
- Gentle keep warm function maintains low and even heat on each zone
- Durable ceramic cooktop surface and seamless backguard cleans quickly & easily, simply wipe down
- Optimized safety features include automatic pan detection, a quick to cool surface and child-safety lock
- Oversized electric convection oven ideal for holiday cooking and entertaining
- Oven accommodates 18" x 26" commercial baking sheet
- 5 oven modes including Bake, Convection Bake, Broil, Convection Broil and Fast Preheat
- Powerful 2,500 Watt Broiler
- Designed and built with commercial-grade materials for lasting performance

SPECIFICATIONS

Overall Dimensions: 29.875"W x 24"D x 36.75"H

Oven Interior: 26.438"W x 20"D x 16 5/8"H

Front Left Burner: 1,850 Watts / 3,000 Watt Boost

Back Left Burner: 1,850 Watts / 3,000 Watt Boost

Front Right Burner: 1,400 Watts / 2,200 Watt Boost

Back Right Burner: 2,300 Watts / 3,700 Watt Boost

Bake Element: 2,500 Watts

Broil Element: 2,500 Watts

Electrical Requirements: 240VAC, 60Hz, 50 AMPS, 1PH

Unit must be on a Non-GFI, dedicated outlet



Model Shown: BSIR30



Model Shown: BSIR30CPLT

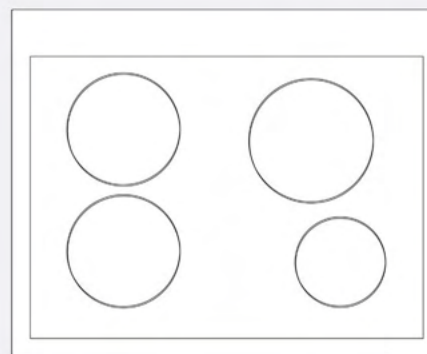
MODEL CONFIGURATION

4 Burners

BSIR30

BURNER CONFIGURATION

1,850 W	2,300 W
3,000 W Boost	3,700 W Boost
7 7/8" Diameter	8 5/8" Diameter



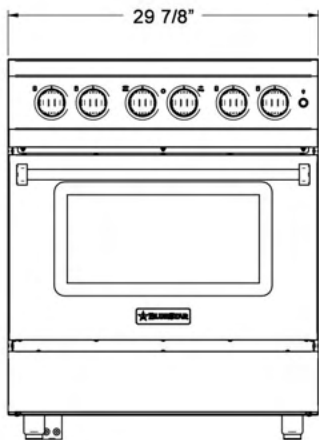
1,850 W	1,400 W
3,000 W Boost	2,200 W Boost
7 7/8" Diameter	6 1/4" Diameter

ADDITIONAL CUSTOMIZATION OPTIONS

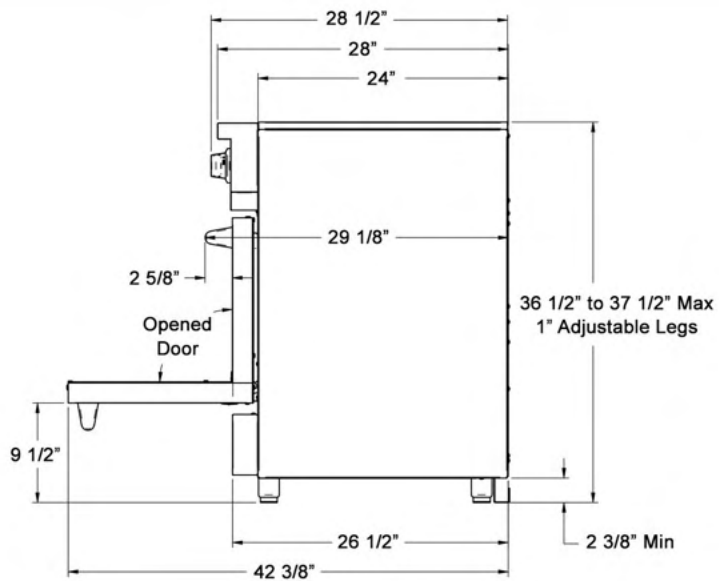
- 1,000+ Colors & Finishes
- 10 metal trim finishes
- Painted knobs in over 190 color options

All specifications subject to change with out notice

FRONT VIEW



SIDE VIEW



BACK VIEW

