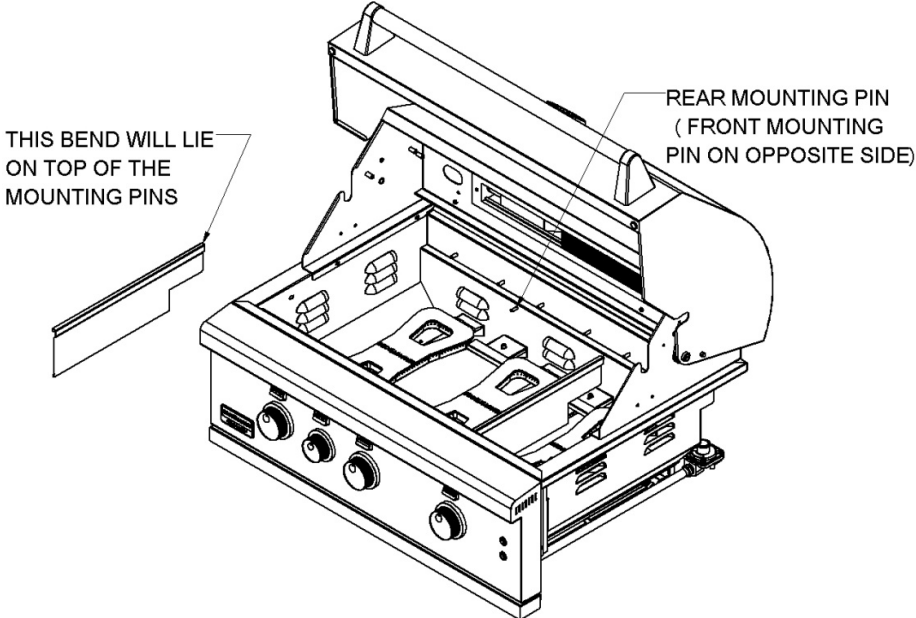




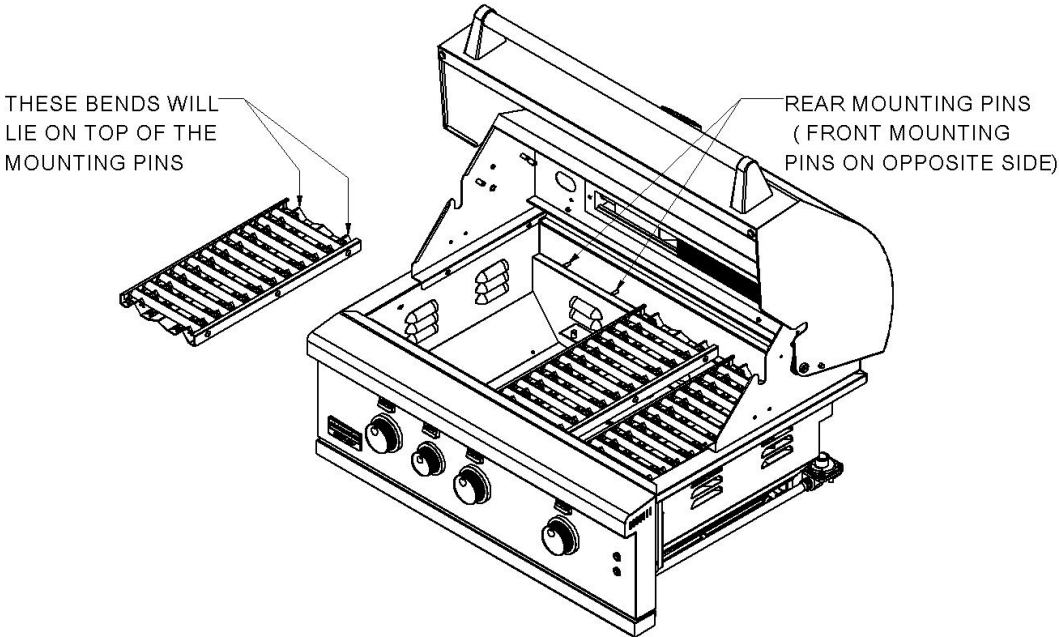
# QUICK START GUIDE

## INSTALLATION OF DIVIDERS, VAPORIZERS, AND WARMING RACK

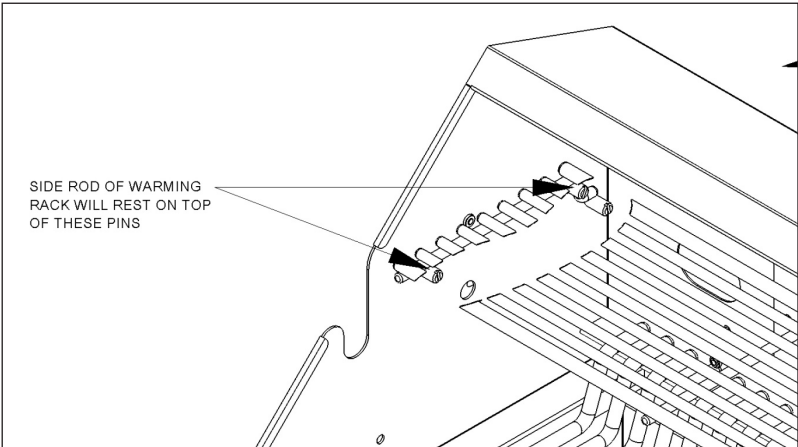
1. ORIENTATE THE DIVIDER AS SHOWN WITH THE NOTCH TOWARDS THE REAR AND PLACE OVER THE MOUNTING PINS.



2. ORIENTATE THE VAPORIZER AS SHOWN AND PLACE OVER THE MOUNTING PINS.



3. PLACE THE RACK SIDE RODS OVER THE PINS IN THE SIDES OF THE GRILL AS SHOWN IN THE CUT-OUT VIEW. NOTE THAT THE BENT END OF THE SIDE ROD IS TOWARDS THE REAR.





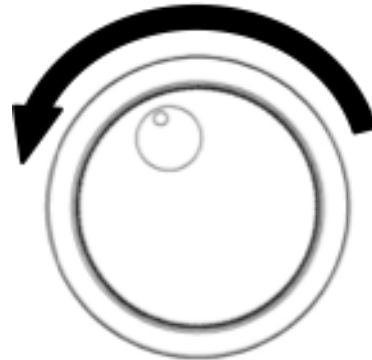
# QUICK START GUIDE

## LIGHTING INSTRUCTIONS FOR FRONT AND REAR BURNERS

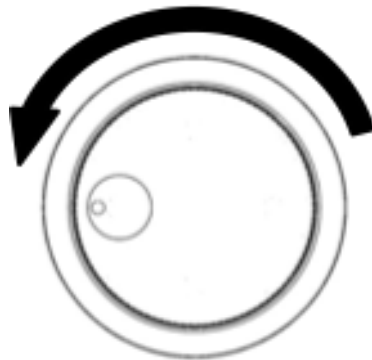
1. PUSH IN ON THE CONTROL KNOB AND TURN SLIGHTLY COUNTERCLOCKWISE WHILE KEEPING THE KNOB PUSHED IN.



2. CONTINUE TO TURN COUNTERCLOCKWISE WHILE PUSHING IN ON THE KNOB. APPROXIMATELY IN THE POSITION SHOWN YOU WILL FEEL A SLIGHT RESISTANCE AND YOU WILL HEAR GAS BEGIN TO FLOW. MAINTAIN THIS POSITION FOR 2 OR 3 SECONDS.



3. AFTER THE GAS HAS BEEN FLOWING FOR 2 TO 3 SECONDS, TURN THE KNOB COUNTERCLOCKWISE WHILE PUSHING IN UNTIL THE KNOB HAS BEEN TURNED A FULL 1/4 TURN. THE PIEZO SHOULD HAVE IGNITED AND LIT THE BURNER. ONCE THE BURNER HAS BEEN LIT, RELEASE THE KNOB. BE SURE THE KNOB HAS BEEN TURNED TO THE POSITION SHOWN, OR THE GAS WILL NOT CONTINUE TO FLOW.



4. IF THE BURNER FAILS TO IGNITE, WAIT FOR 10 SECONDS, RETURN THE KNOB TO ITS ORIGINAL POSITION AND BEGIN AGAIN AT STEP 1.