

Gaggenau

Installation instructions2

Notice de montage15

Instrucciones de instalación28

BS 470/471 612

BS 474/475 612

BS 484/485 612

Combi-steam oven

Four combi-vapeur

Horno combinado de vapor

Table of Contents

▲ Safety Definitions	2
IMPORTANT SAFETY INSTRUCTIONS	3
Appliance Handling Safety	3
Safety Codes and Standards	3
Electric Safety	4
Related Equipment Safety	4
Proposition 65 Warning	4
Transport	5
Before you begin	6
Tools and Parts Needed	6
Parts Included	6
Power Requirements	6
Planning Notes	6
Preparing Kitchen Units	6
Dimensions and Cabinet Requirements	7
General Cabinet Requirements	7
Appliance Dimensions	7
Cabinet Dimensions	8
Removing Packaging	9
Connection to the home network (LAN)	9
Water connection	9
Waste water connection	9
Install Appliance	10
Mount to Cabinet	10
Adjusting the door	11
Three wire connection	12
Combination with an oven	12
Combination with warming drawer, width 24" (60 cm)	14
Combination with warming drawer, width 30" (76 cm)	14
Check the Installation	14
Removal	14
Customer service	14

▲ Safety Definitions

▲ WARNING

This indicates that death or serious injuries may occur as a result of non-observance of this warning.

▲ CAUTION

This indicates that minor or moderate injuries may occur as a result of non-observance of this warning.

NOTICE

This indicates that damage to the appliance or property may occur as a result of non-compliance with this advisory.

Note: This alerts you to important information and/or tips.

IMPORTANT SAFETY INSTRUCTIONS

READ AND SAVE THESE INSTRUCTIONS

IMPORTANT SAFEGUARDS

SAVE THESE INSTRUCTIONS.

WARNING

If the information in this manual is not followed exactly, fire or shock may result causing property damage or personal injury.

WARNING

Do not repair, replace or remove any part of the appliance unless specifically recommended in the manuals. Improper installation, service or maintenance can cause injury or property damage. Refer to this manual for guidance. All other servicing should be done by an authorized service provider.

This appliance is intended for use up to a maximum height of 13,100 feet (4,000 meters) above sea level.

Appliance Handling Safety

Unit is heavy and requires at least two people or proper equipment to move.

Do not lift appliance by door handle.



Hidden surfaces may have sharp edges. Use caution when reaching behind or under appliance.

Safety Codes and Standards

This appliance complies with the latest version of one or more of the following standards:

- CAN/CSA-C22.2 No. 60335-1 Safety of Household and Similar Electrical Appliances - Part 1: General Requirements
- CAN/CSA C22.2 No. 60335-2-6 Household and similar electrical appliances – Safety – Part 2-6: Particular requirements for stationary cooking ranges, hobs, ovens and similar appliances
- UL 858 - Household Electric Ranges
- CAN/CSA C22.2 No. 150 - Microwave Ovens
- UL 923 - Microwave Cooking Appliances
- CSA C22.2 No. 64 - Household Cooking and Liquid-Heating Appliances
- UL 1026 - Electric Household Cooking and Food Serving Appliances

It is the responsibility of the owner and the installer to determine if additional requirements and/or standards apply to specific installations.

IMPORTANT SAFETY INSTRUCTIONS

READ AND SAVE THESE INSTRUCTIONS

Electric Safety

WARNING

Before you plug in an electrical cord or turn on power supply, make sure all controls are in the OFF position.

If required by the National Electrical Code (or Canadian Electrical Code), this appliance must be installed on a separate branch circuit.

Installer – show the owner the location of the circuit breaker or fuse. Mark it for easy reference.

INSTALLER: LEAVE THESE INSTRUCTIONS WITH THE APPLIANCE AFTER INSTALLATION IS COMPLETE.

IMPORTANT: SAVE THESE INSTRUCTIONS FOR THE LOCAL ELECTRICAL INSPECTOR'S USE.

Before installing, turn power OFF at the service panel. Lock service panel to prevent power from being turned ON accidentally.

Refer to data plate for more information. See “Data Plate” under “Service” for data plate location.

Be sure your appliance is properly installed and grounded by a qualified technician. Installation, electrical connections and grounding must comply with all applicable codes.

Related Equipment Safety

Remove all tape and packaging before using the appliance. Destroy the packaging after unpacking the appliance. Never allow children to play with packaging material

Never modify or alter the construction of the appliance. For example, do not remove leveling legs, panels, wire covers or anti-tip brackets/screws.

Before starting up the appliance, remove any packaging material and adhesive film from the cooking compartment and the door.

Proposition 65 Warning:

This product may contain a chemical known to the State of California, which can cause cancer or reproductive harm. Therefore, the packaging of your product may bear the following label as required by California:

STATE OF CALIFORNIA PROPOSITION 65 WARNING:

 **WARNING**

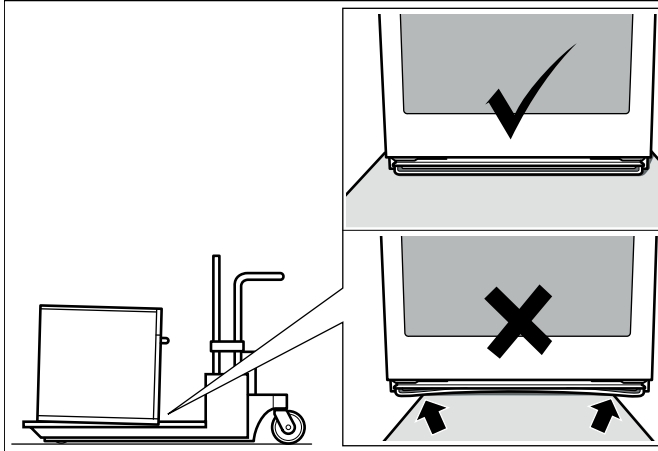
Cancer and Reproductive Harm - www.P65Warnings.ca.gov

IMPORTANT SAFETY INSTRUCTIONS

READ AND SAVE THESE INSTRUCTIONS

Transport

To avoid damage to the oven vent, use the transport method shown in the picture below.



Before you begin

Tools and Parts Needed

- Philips head screwdriver
- 1/8" drill bit and drill
- Measuring tape

Parts Included

- Combi-steam oven
- 1 Torx screw

Power Requirements

The outlet must be properly grounded in accordance with all applicable codes.

Planning Notes

Door hinge not interchangeable.

Distance from furniture body to door front 1.85" (47 mm).

Pay attention to the front protrusion, possibly including the door handle, for opening drawers at the sides.

When planning a corner solution, pay attention to the door opening angle of at least 90°.

No other electrical appliance may be integrated into the cupboard above this appliance.

Do not install the appliance version with the control panel on the bottom above a dishwasher. Ascending steam from the dishwasher can damage the appliance electronics.

Preparing Kitchen Units

Units into which ovens are to be fitted must be heat-resistant up to 195°F (90°C) and adjacent cabinets up to 160°F (70°C).

Connection box must be outside of the installation niche.

Perform cut-out work on the furniture before inserting the appliance. Remove any shavings or the function of the electrical components may be impaired.

Secure freestanding units to the wall using a standard bracket.

Only fit the appliance up to a height that allows accessories to be removed easily.

Dimensions and Cabinet Requirements

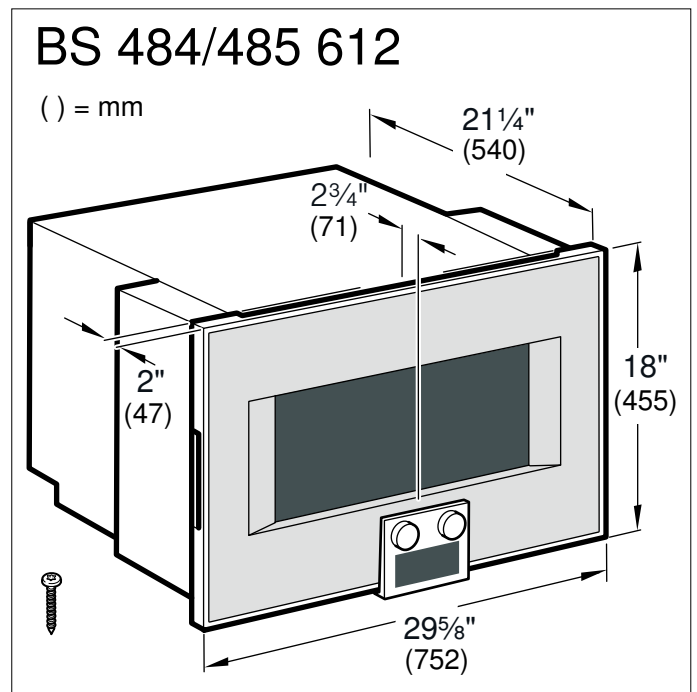
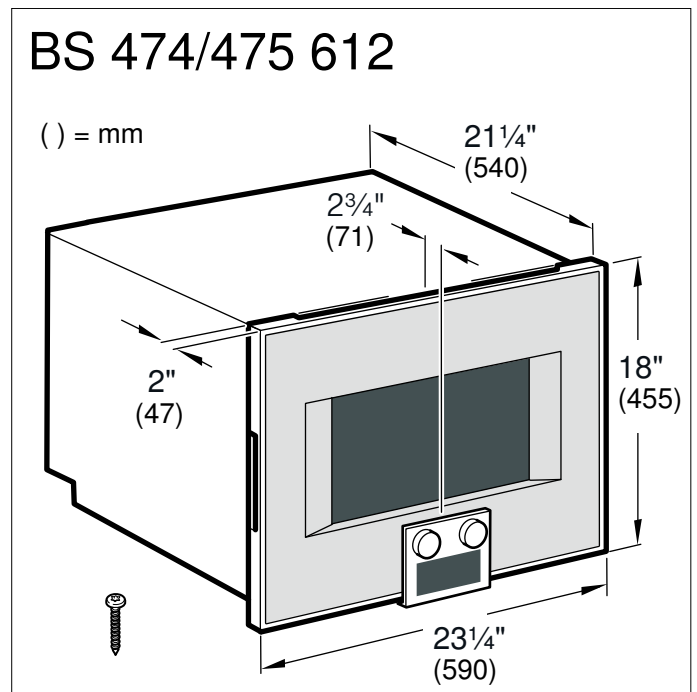
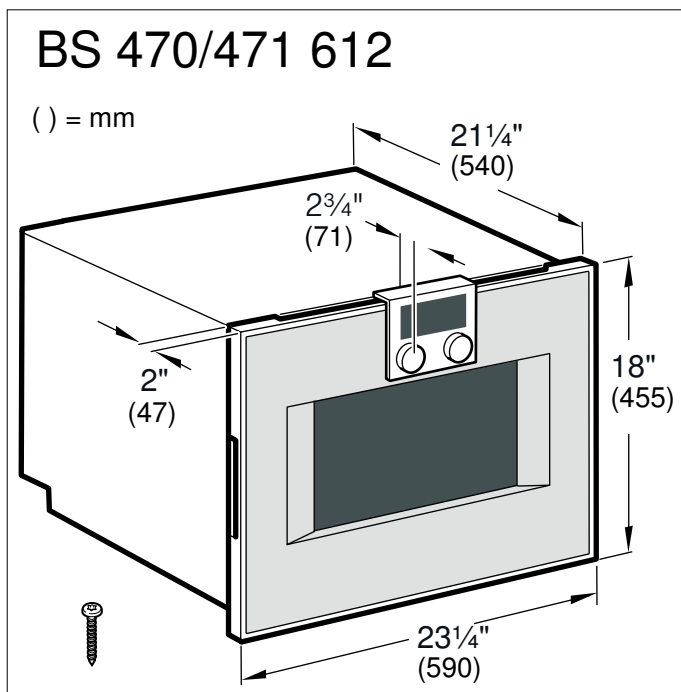
General Cabinet Requirements

Cabinet requirements vary depending on the model to be installed. Please consult the section "Dimensions" for the details pertaining to your particular model.

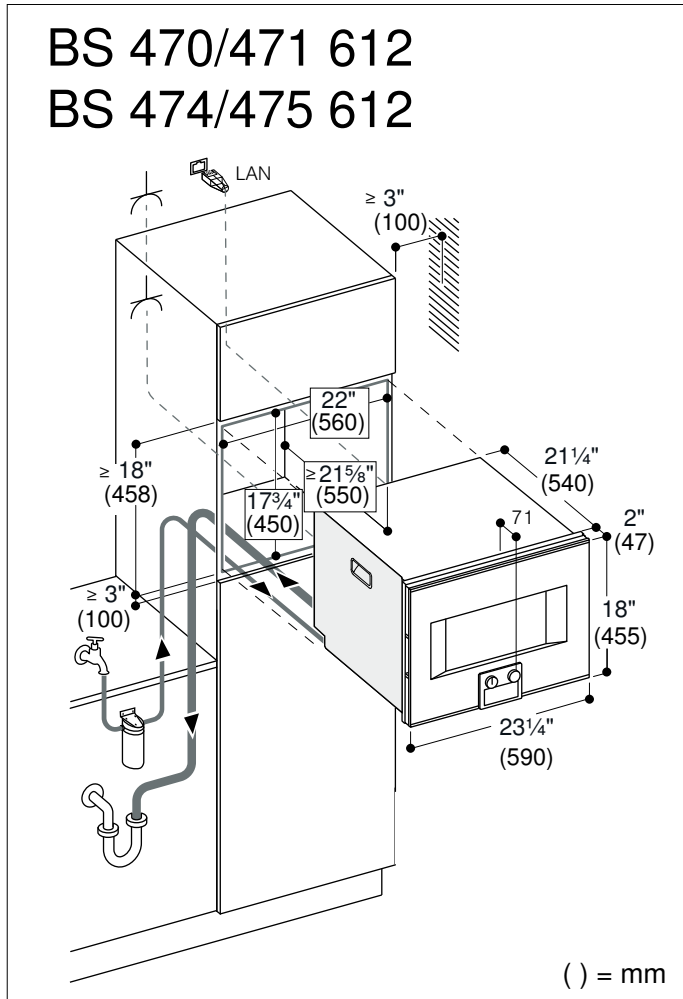
All models require:

- ¼" (6.4 mm) space between the side of the appliance and an adjacent wall or cabinet door when installed at the end of a cabinet run.
- The cabinet base must be flat and capable of supporting the weight of your appliance when in use. See the appropriate weight for your model in the "Dimensions" section pertaining to your particular model.

Appliance Dimensions

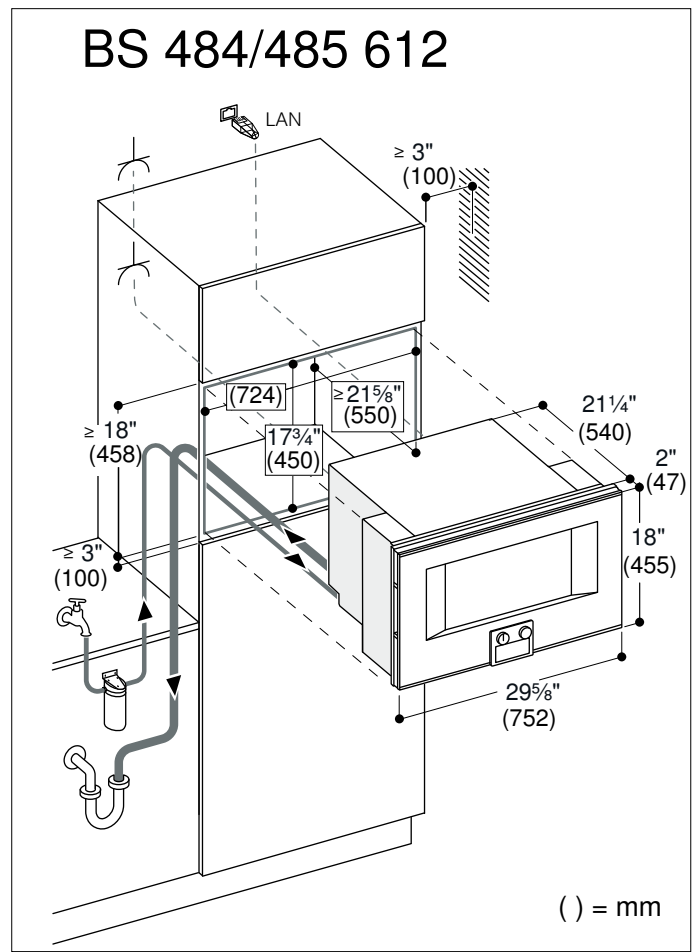


Cabinet Dimensions



NOTICE

The cabinet base must be flat and capable of supporting a weight of at least 102 lbs (46 kg).



NOTICE

The cabinet base must be flat and capable of supporting a weight of at least 115 lbs (52.1 kg).

Removing Packaging

NOTICE

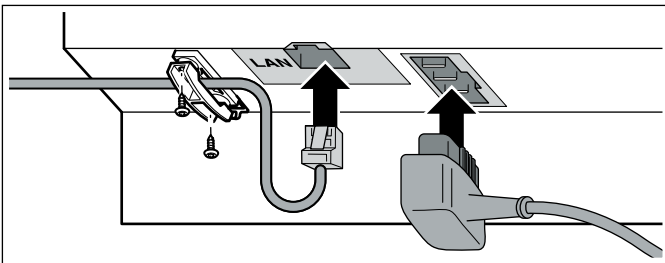
To prevent damage to your floor keep the unit in its packaging base until ready to be placed in the cabinet opening. Do not slide the unit across the flooring.

Different models use different packaging materials. Actual brackets may look differently. Bracket remains in packaging base.

1. Cut straps on outside of box.
2. Remove cardboard box.
3. Remove all top and side cardboard and Styrofoam braces.
4. Place oven in front of cabinets where it is to be installed.

Connection to the home network (LAN)

This appliance is network-compatible and can be connected to the home network using a LAN cable (LAN cable not included). Before installation, plug the LAN cable into the socket on the rear of the appliance and secure it using the strain relief. Connect the LAN cable to a network socket.



Water connection

The appliance is backflow-proof (VDE tested). Connection valves with backflow preventers are not required. Follow the regulations of the local water utility.

Install a suitable descaling system in front of the appliance if the water hardness exceeds 7 dH.

Only connect the appliance to a cold-water connection:

- Connection $\frac{3}{4}$ " (26.4 mm)
- Water pressure 2-10 bar
- min. 2.6 gal (10 liters)/minute

Note: The water connection for the supply hose must always be accessible (not directly behind the appliance).

Waste water connection

Provide for an odor trap on the drain connection. The connection on the odor trap must always be accessible (not directly behind the appliance).

Important notes on the drain hose

- Do not fit the drain hose at any point higher than the bottom edge of the appliance
- Drain: at least $\varnothing 1\frac{1}{2}$ " (38 mm) inner diameter
- Drain connection: at least 4" (100 mm) lower than the appliance drain
- Do not kink the drain hose
- Do not shorten the included drain hose
- Drain hose: no more than 5.5 yards (5 m) long

Install Appliance

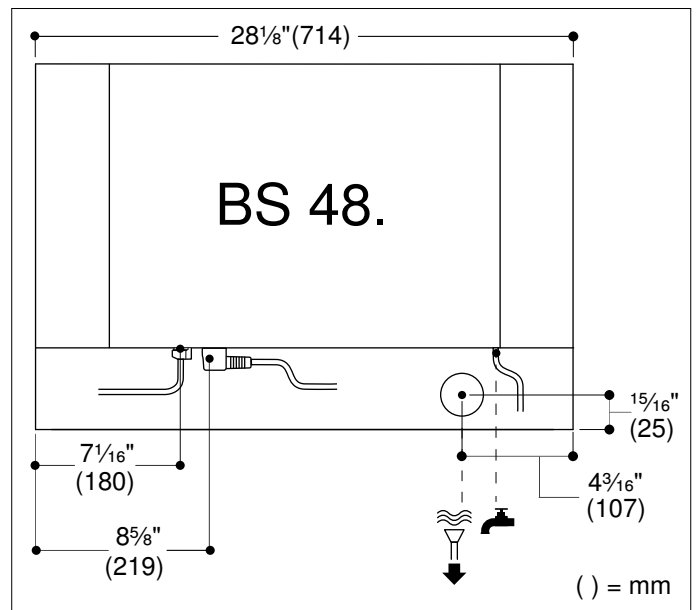
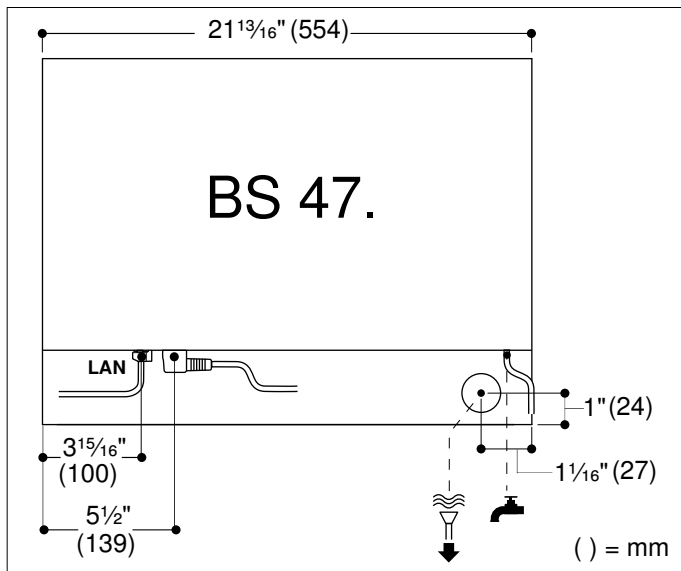
Note: The appliance is heavy. It is advisable to install it with a second person.

NOTICE

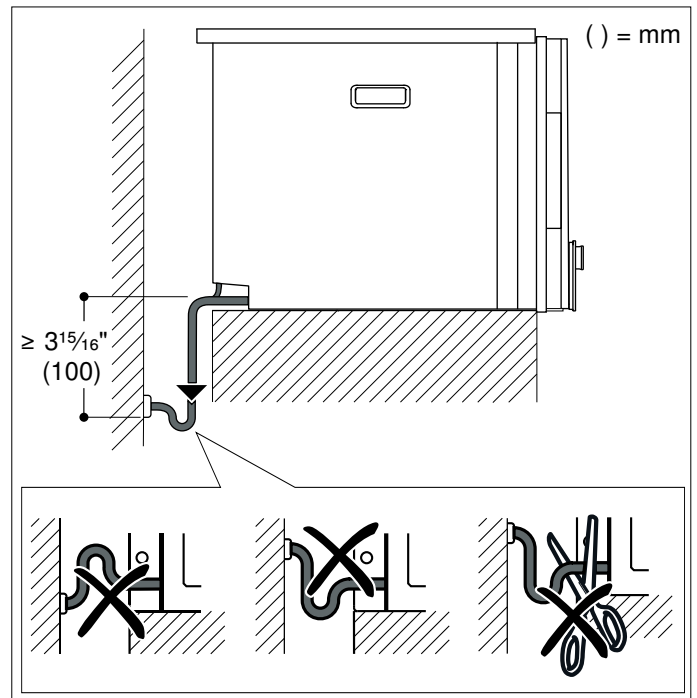
Before installing the appliance, be sure to verify the cabinet dimensions and electrical connections.

Mount to Cabinet

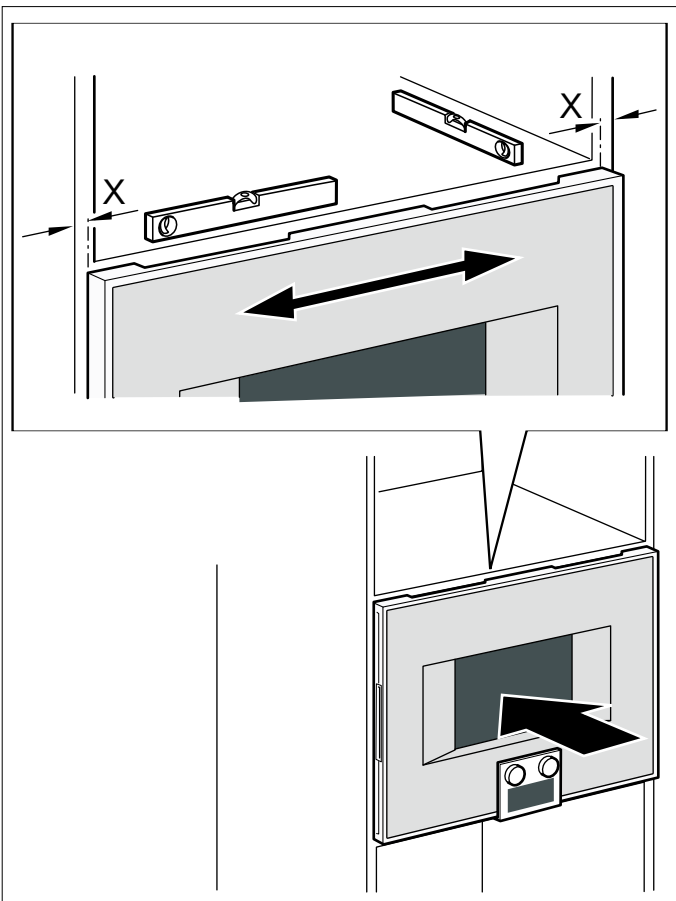
- When installing two appliances next to each other: Both recessed handles must face toward the center.
 - Secure the appliance against tilting in the cupboard if there is not intermediate shelf above the appliance: fasten two commercially available brackets on both sides inside the cupboard (at $17\frac{3}{4}$ " (450 mm) deep, $\frac{3}{16}$ " (5 mm) above appliance height).
 - Before installing, remove the transport brackets for the supply and drain water hoses.
1. Push the appliance fully into the kitchen unit. Route the Combi-steam oven's connecting cable and supply and drain water hoses to the connection points on the rear left in the kitchen unit.



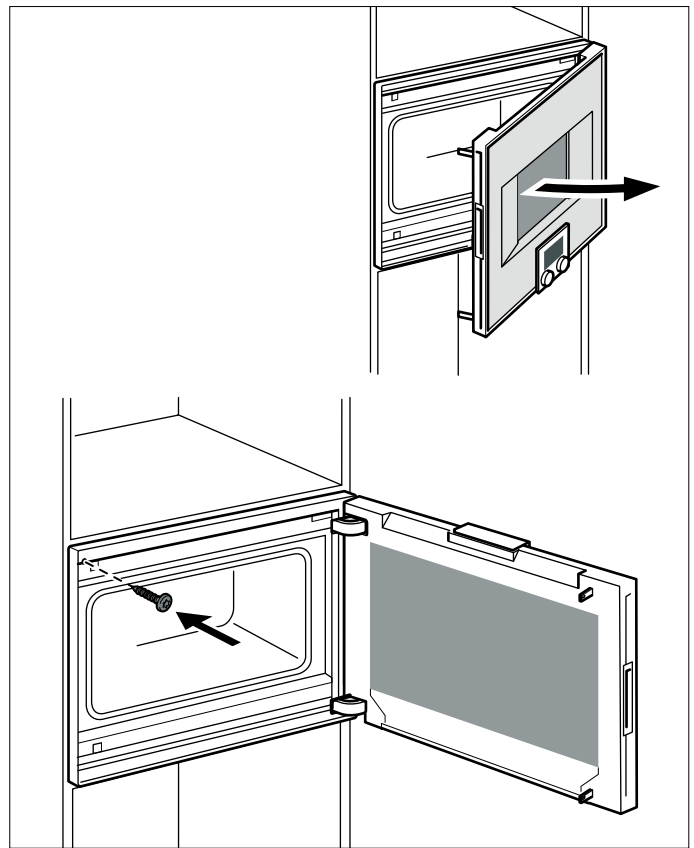
Do not kink or jam connecting cables and hoses or route them over sharp edges.



2. Align the appliance in the center.

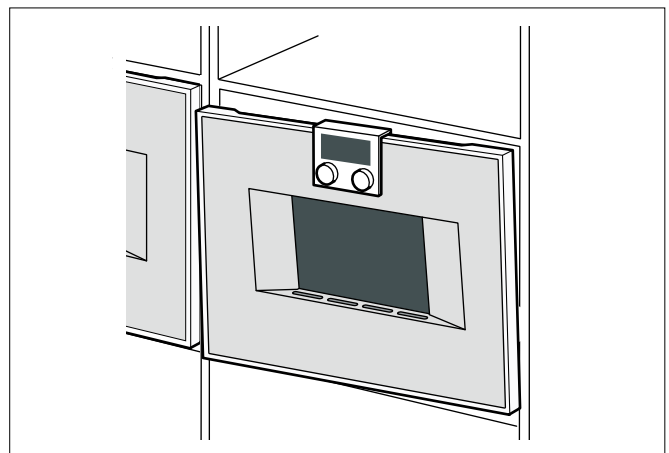


3. Use a spirit level to align the appliance exactly horizontally.
4. Fasten the appliance with the included screw. Remove the transportation lock from the door.

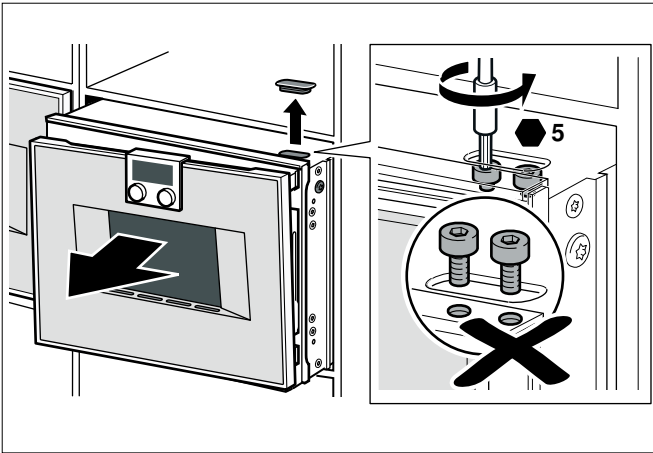


Adjusting the door

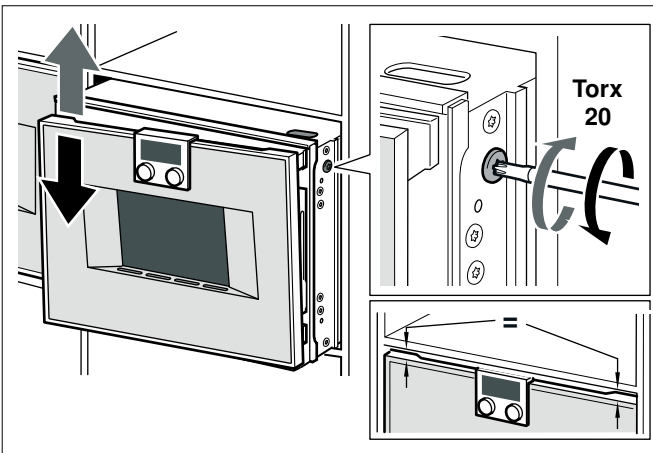
For precise alignment, the appliance door can be slightly adjusted.



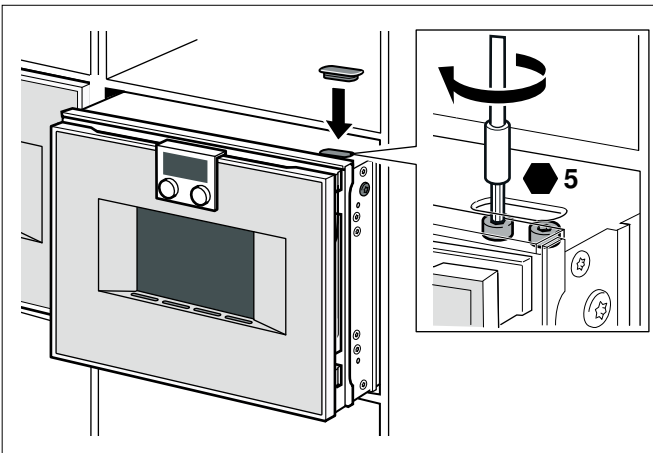
For this purpose, slightly pull out the appliance from the built-in cut-out. At the top of the appliance there is an oval opening located on the hinge side. Remove the cover cap. Slightly loosen both screws (Inbus 5 mm), but do not remove them!



Align the door via the lateral screw (Torx 20). It might be necessary to open and close the door.



Check the alignment and tighten both screws (Inbus 5 mm) again. Attach the cover cap again.



Notes

- The device door is already aligned when the appliance is delivered. You do not normally need to align the door.
- The alignment of the appliance door can be adjusted at the hinge, in order to achieve a precise gap size.
- The height of the door cannot be adjusted.

Three wire connection

BO 450/451-610

1. Connect red wire from oven to red electrical supply wire (hot wire).
2. Connect black wire from oven to black electrical supply wire (hot wire).
3. Connect yellow/green ground oven wire to bare ground electrical supply wire.

Attach flexible conduit to the junction box.

To facilitate serviceability, the flex conduit must not be shortened and should be routed to allow for temporary removal of the oven.

Combination with an oven

Fit the Combi-steam oven first and then the oven.

For an installation depth of 21 5/8" (550 mm), position the water hoses and the connecting cable in the area of the housing cut-out.

The rear of the BO 4.. ovens has a bevelled corner. Route the Combi-steam oven's supply and drain water hoses downwards to the connection points on the rear left in the kitchen unit.

If the hoses are not routed in the corner on the rear left in the kitchen unit, when installing the appliance over an oven the kitchen unit's body must be pulled forward by at least 1 3/8" (35 mm) and side paneling or a trim must be inserted.

Combination with warming drawer, width 24" (60 cm)

Fit the warming drawer first. Pay attention to the warming drawer's installation instructions.

Slide the oven onto the warming drawer and into the built-in cabinet. When sliding it in, do not damage the warming drawer's panel.

Combination with warming drawer, width 30" (76 cm)

Installation BO/BS (width 30" (76 cm)) over warming drawer WS only with dimensionally stable partition floor.

Check the Installation

WARNING

Before you plug in an electrical cord or turn on power supply, make sure all controls are in the OFF position.

Switch on the circuit breaker.

Verify that elements function properly.

Removal

1. Disconnect the appliance from the power supply.
2. Undo the fastening screws.
3. Raise the appliance slightly and pull it out completely.


Customer service

If your appliance needs repairs, our customer service is there for you. We work hard to help solve problems quickly and without unnecessary service calls, getting your appliance back up and running correctly in the least amount of time possible.

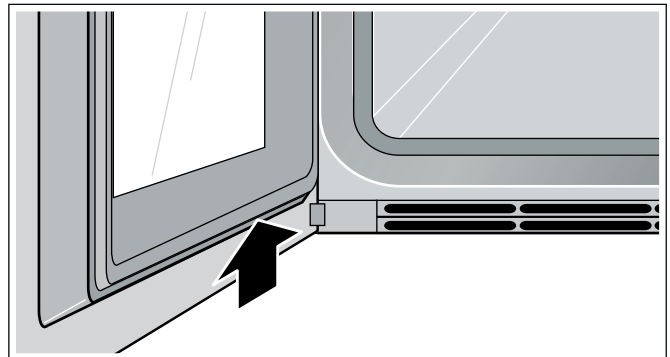
When you call, please indicate the product number (E-Nr.) and serial number (FD-Nr.) so that we can support you in a qualified manner. You will find the type plate with these numbers on the bottom of the appliance. To avoid having to search for a long time when you need it, you can enter your appliance data and the customer support telephone number here.

E-Nr.

FD-Nr.

Customer Service 

Please read the use and care instructions provided with your appliance. Failure to do so may result in an error in using the appliance. This could result in a service call that instead of fixing a mechanical issue is only needed for customer education. Such calls are not covered by the appliance warranty.



Please find the contact data of all countries in the enclosed customer service list.

To book a service visit and product advice

USA 877 442 4436
toll-free

CANADA 877 442 4436
toll-free

Table des matières

▲ Définitions de sécurité	15
IMPORTANTES CONSIGNES DE SÉCURITÉ	16
Sécurité de manutention des appareils	16
Codes et normes de sécurité	16
Sécurité électrique	17
Sécurité apparentée concernant l'équipement	17
Avertissement issu de la proposition 65	18
Transport	18
Avant de commencer	19
Outils et pièces nécessaires	19
Pièces comprises	19
Exigences électriques	19
Notes de planification	19
Préparation des meubles	19
Exigences en matière de dimensions et d'armoire	20
Exigences générales concernant le meuble	20
Dimensions de l'appareil	20
Dimensions de la découpe des armoires	21
Pour enlever l'emballage	22
Connexion au réseau domestique (LAN)	22
Raccordement de l'eau	22
Raccord d'évacuation	22
Installation de l'appareil	23
Fixation à l'armoire	23
Ajustement de la porte	24
Connexion à trois fils	25
Association avec un four	25
Combinaison avec un tiroir chauffant de largeur 24 po (60 cm)	27
Combinaison avec un tiroir chauffant de largeur 30" (76 cm)	27
Vérification de l'installation	27
Dépose	27
Service après-vente	27

▲ Définitions de sécurité

▲ AVERTISSEMENT

Ceci indique que le non-respect de cet avertissement peut entraîner des blessures graves, voire la mort.

▲ ATTENTION

Ceci indique que le non-respect de cet avertissement peut entraîner des blessures légères ou de gravité moyenne.

AVIS

Ceci indique que la non-conformité à cet avis de sécurité peut entraîner des dégâts matériels ou endommager l'appareil.

Remarque : Ceci vous signale des informations et/ou indications importantes.

IMPORTANTES CONSIGNES DE SÉCURITÉ

LIRE ET CONSERVER CES INSTRUCTIONS

CONSIGNES DE SÉCURITÉ IMPORTANTES

CONSERVEZ CES INSTRUCTIONS.

AVERTISSEMENT

Si l'information de ce guide n'est pas suivie exactement, il peut en résulter un incendie ou un choc électrique causant des dommages à la propriété, des blessures ou la mort.

AVERTISSEMENT

Ne réparez, remplacez, ni ne retirez aucune partie de l'appareil, excepté si les manuels recommandent de le faire. Une installation, un entretien ou une inspection incorrects peuvent occasionner des blessures ou des dommages matériels. Reportez-vous au présent manuel pour obtenir des indications. Toute autre intervention doit être effectuée par un technicien agréé.

Cet appareil est conçu pour une utilisation jusqu'à une altitude maximale de 13 100 pieds (4 000 m).

Sécurité de manutention des appareils

Cet appareil est lourd et il faut au moins deux personnes ou l'équipement approprié pour le déplacer.

Ne pas soulever l'appareil par la poignée de la porte.



Certaines surfaces peuvent avoir des bords tranchants. Faire attention en étendant le bras derrière l'appareil ou en dessous.

Codes et normes de sécurité

Cet appareil est conforme aux plus récentes versions de l'une ou plus des normes suivantes :

- CAN/CSA-C22.2 No. 60335-1 Appareils électrodomestiques et analogues - Sécurité - Partie 1: Exigences générales
- CAN/CSA C22.2 No. 60335-2-6 Appareils électrodomestiques et analogues – Sécurité – Partie 2-6 : Exigences particulières pour les cuisinières, les tables de cuisson, les fours et les appareils fixes analogues
- UL 858 - Cuisinières électriques domestiques (Household Electric Ranges)
- CAN/CSA C22.2 No. 150 - Fours à micro-ondes (Microwave Ovens)
- UL 923 - Appareils de cuisson à micro-ondes (Microwave Cooking Appliances)



IMPORTANTES CONSIGNES DE SÉCURITÉ

LIRE ET CONSERVER CES INSTRUCTIONS

- CSA C22.2 No. 64 - Appareils de cuisson domestique et de chauffage des liquides (Household Cooking and Liquid-Heating Appliances)
- UL 1026 - Appareils électriques domestiques pour la cuisson et la préparation des aliments (Electric Household Cooking and Food Serving Appliances)

Il incombe au propriétaire et à l'installateur de déterminer si des exigences et/ou normes additionnelles s'appliquent pour des installations spécifiques.

Sécurité électrique



AVERTISSEMENT

Avant tout raccordement de cordon électrique ou toute mise sous tension, assurez-vous que toutes les commandes sont en position OFF (d'arrêt).

S'il y a lieu, conformément au Code national de l'électricité (ou au Code canadien de l'électricité), cet appareil doit être installé sur un circuit de dérivation séparé.

Installateur – Indiquer au propriétaire l'emplacement du disjoncteur ou du fusible. Identifier sa position pour pouvoir le retrouver facilement.

INSTALLATEUR : LAISSEZ CES INSTRUCTIONS AVEC L'APPAREIL APRÈS UNE FOIS L'INSTALLATION TERMINÉE.

IMPORTANT : CONSERVER CES INSTRUCTIONS POUR L'USAGE DE L'INSPECTEUR ÉLECTRIQUE LOCAL.

Avant l'installation, mettre l'appareil hors service au panneau de service. Verrouiller le panneau d'entrée d'électricité pour éviter que le courant ne soit accidentellement rétabli.

Pour plus d'informations, se reporter à la plaque signalétique. Pour connaître l'emplacement de la plaque signalétique, voir "Plaque signalétique" sous "Entretien".

S'assurer que l'appareil est installé et mis à la terre par un technicien qualifié. L'installation, les connexions électriques et la mise à la terre doivent être conformes à tous les codes applicables.

Sécurité apparentée concernant l'équipement

Retirer le ruban adhésif et l'emballage avant d'utiliser l'appareil. Détruire l'emballage après avoir déballé l'appareil. Ne jamais laisser les enfants jouer avec les matériaux de conditionnement.

Ne jamais modifier ni altérer la configuration de l'appareil. Par exemple, ne pas retirer les pieds de nivellement, les panneaux, les couvercles de câblage ou les fixations/vis antibasculement.

Avant d'allumer l'appareil, retirez tout matériel d'emballage ou pellicule adhésive du compartiment de cuisson et de la porte.

IMPORTANTES CONSIGNES DE SÉCURITÉ LIRE ET CONSERVER CES INSTRUCTIONS

Avertissement issu de la proposition 65 :

Ce produit pourrait contenir un produit chimique reconnu par l'État de la Californie comme cancérigène ou ayant des effets nocifs sur la reproduction. Par conséquent, l'emballage de votre produit pourrait porter l'étiquette suivante, comme requis par la Californie :

AVERTISSEMENT ISSUE DE LA PROPOSITION 65 DE L'ÉTAT DE LA CALIFORNIE :



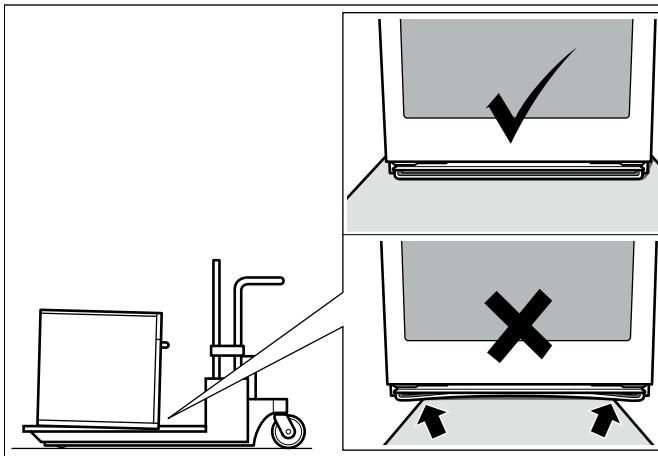
AVERTISSEMENT

Cancer et dommages à la reproduction

www.P65Warnings.ca.gov

Transport

Pour éviter tout dommage à l'événement du four, utiliser la méthode de transport illustrée ci-dessous.



Avant de commencer

Outils et pièces nécessaires

- Tournevis cruciforme
- Mèche de 1/8 po (3 mm) et perceuse
- Ruban à mesurer

Pièces comprises

- Four combi-vapeur
- 1 vis Torx

Exigences électriques

La prise doit être correctement reliée à la terre selon tous les codes applicables.

Notes de planification

Charnière de porte non interchangeable.

Distance entre le corps d'ameublement et l'avant de la porte : 1,85" (47 mm).

Pour l'ouverture latérale des tiroirs, faites attention au retrait avant, y compris éventuellement à la poignée de porte.

Lors de la planification d'une solution d'angle, tenez compte de l'angle d'ouverture de la porte qui est d'au moins 90.

Aucun autre appareil électrique ne peut être intégré dans l'armoire au-dessus de cet appareil.

N'installez pas la version de l'appareil avec le panneau de commande au-dessus d'un lave-vaisselle. La vapeur ascendante du lave-vaisselle peut endommager les composants électroniques de l'appareil.

Préparation des meubles

Les meubles d'encastrement doivent résister à une température allant jusqu'à 90°C, la façade des meubles voisins jusqu'à 70°C.

La prise de raccordement doit se trouver en dehors de la niche.

Réaliser les travaux de découpe sur le meuble avant la mise en place de l'appareil. Retirer les copaux susceptibles de gêner le fonctionnement des composants électriques.

Les meubles non fixés doivent être fixés au mur au moyen d'une équerre usuelle du commerce.

Encastrer l'appareil à une hauteur qui permette de retirer sans problème les accessoires.

Exigences en matière de dimensions et d'armoire

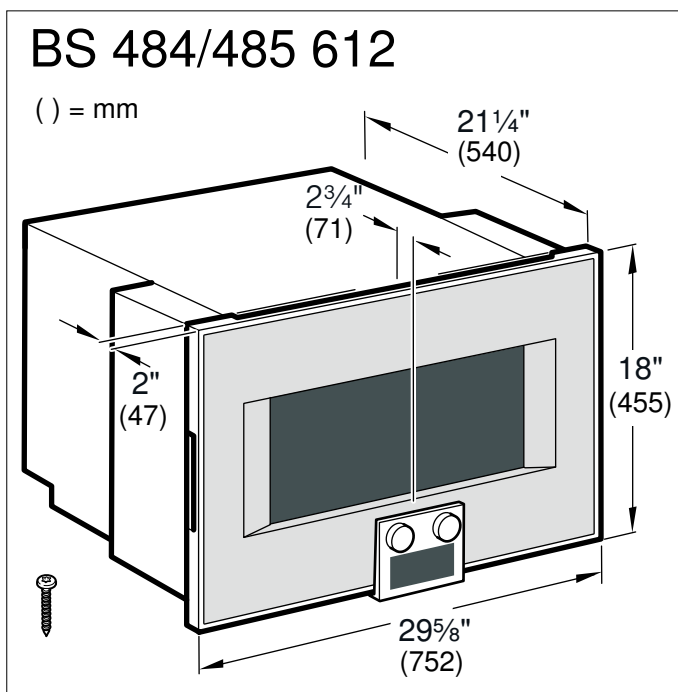
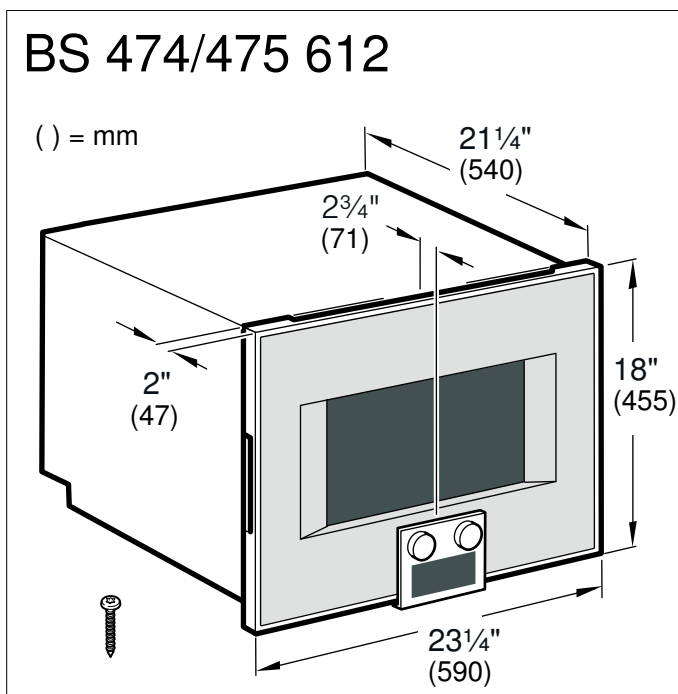
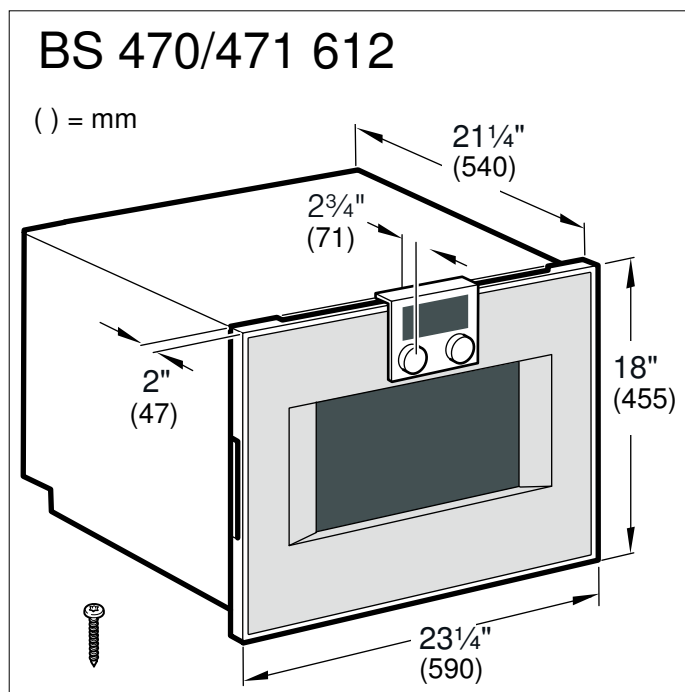
Exigences générales concernant le meuble

Les exigences concernant le meuble dépendent du modèle à poser. Veuillez consulter le chapitre "Dimensions" pour obtenir des précisions sur votre modèle.

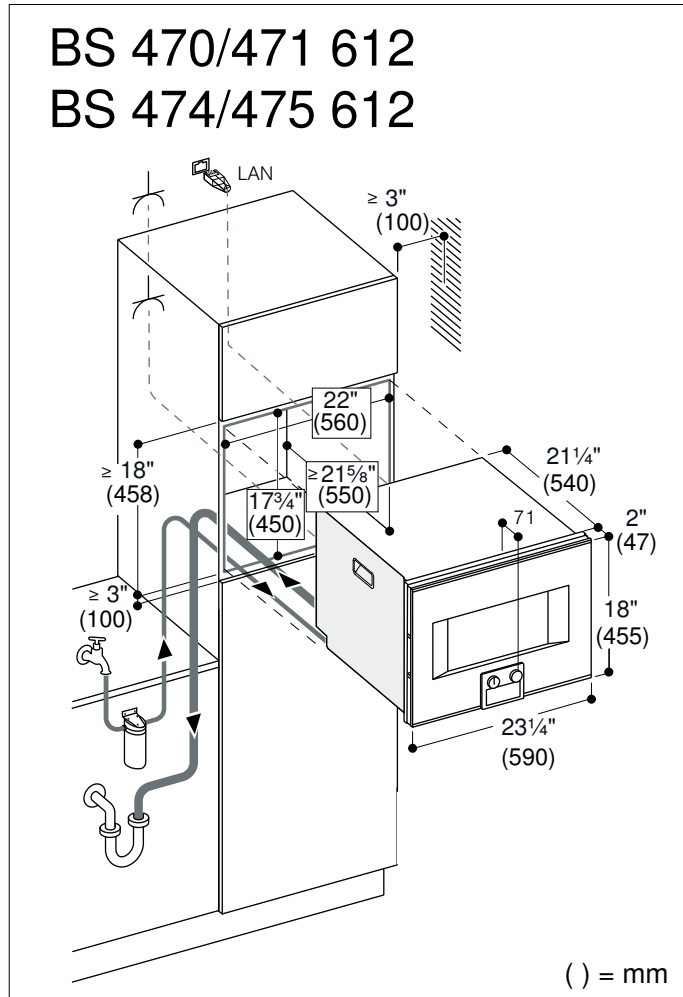
Tous les modèles exigent :

- Un espace de ¼ po (6.4 mm) entre la paroi latérale du four et le mur adjacent ou la porte de l'armoire s'il l'unité est installée à la fin d'une série d'armoire.
- Le socle du meuble doit être plat et doit pouvoir supporter le poids de l'appareil lorsqu'il est en service. Pour connaître le poids exact de votre modèle, consultez le chapitre "Dimensions".

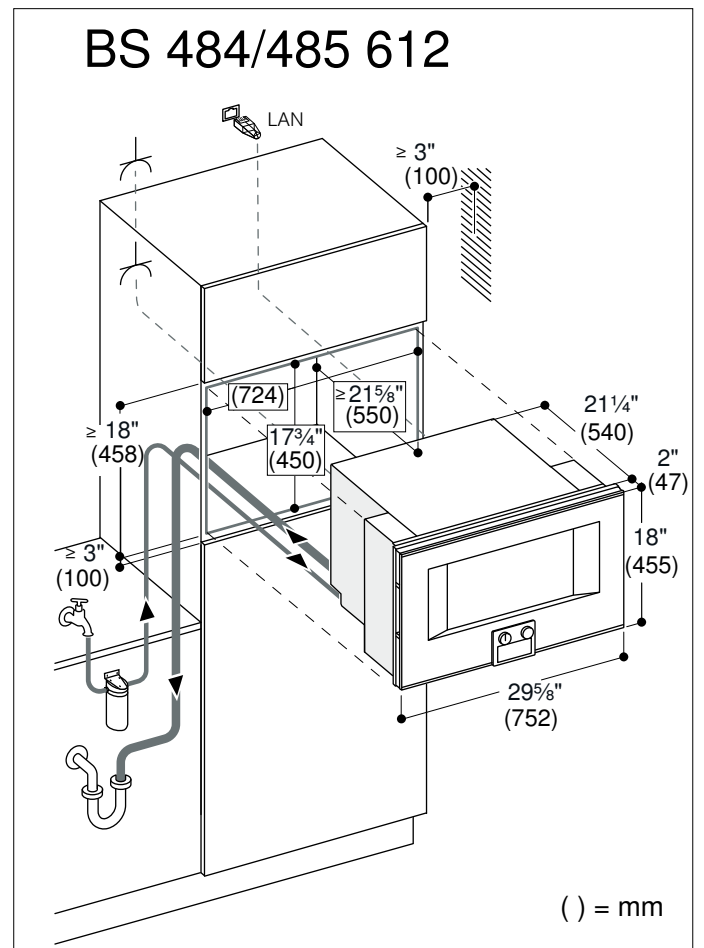
Dimensions de l'appareil



Dimensions de la découpe des armoires

**AVIS**

Le socle du coffret doit être plate et apte à soutenir un poids d'au moins 102 lb (46 kg).

**AVIS**

Le socle du coffret doit être plate et apte à soutenir un poids d'au moins 115 lb (52.1 kg).

Pour enlever l'emballage

AVIS

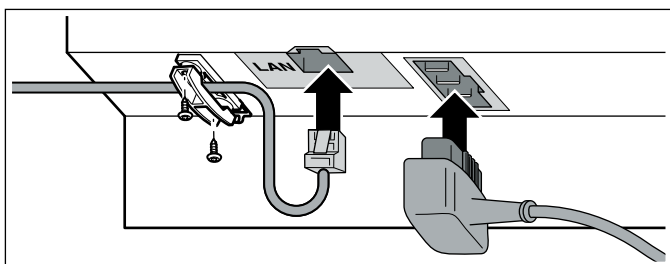
Pour éviter d'endommager le plancher, laissez l'unité dans la portion inférieure de l'emballage jusqu'au moment de le placer dans l'ouverture de l'armoire. Ne pas faire glisser l'unité sur le plancher.

Différents emballages sont employés selon les modèles. Les supports peuvent avoir l'air différents. Les supports restent dans la base de l'emballage.

1. Couper les attaches à l'extérieur de la boîte.
2. Enlever la boîte de carton.
3. Retirer le carton sur le dessus et sur les côtés ainsi que les pièces d'arrimage en styromousse.
4. Placez le four devant l'armoire à l'endroit où il sera installé.

Connexion au réseau domestique (LAN)

Cette appliance est compatible avec le réseau et peut être connectée au réseau domestique à l'aide d'un câble LAN (câble de LAN non fourni). Avant de procéder à l'installation, branchez le câble de LAN dans la prise située à l'arrière de l'appareil et fixez-le avec le serre-câble. Connectez le câble de LAN à une prise réseau.



Raccordement de l'eau

L'apppliance est anti-refoulement (testée par VDE). Les robinets de raccordement avec clapets antirefoulement ne sont pas nécessaires. Respectez les règlements du service public d'eau.

Si la dureté de l'eau dépasse 7 dH, installez un système de détartrage approprié devant l'appareil.

Branchez l'appareil uniquement à un raccordement d'eau froide :

- Raccordement 3/4 po (26,4 mm)
- Pression d'eau 2-10 bar
- Min. 2,6 gal (10 litres/minute)

Remarque : Le raccordement d'eau pour le tuyau d'alimentation doit toujours être accessible (et non directement derrière l'appareil).

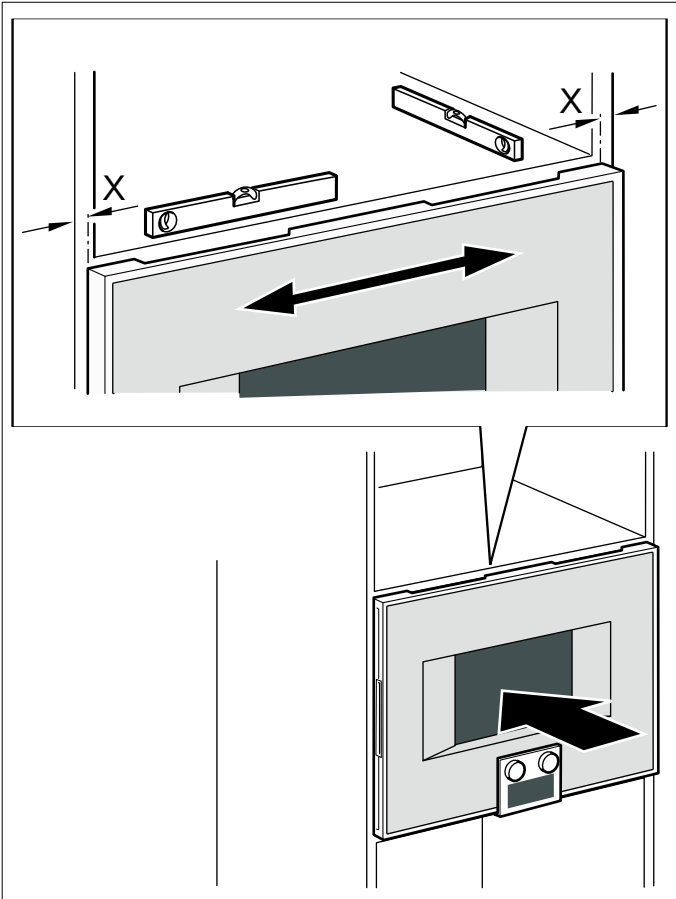
Raccord d'évacuation

Prévoir un siphon au niveau du branchement d'évacuation. Le branchement au siphon doit rester accessible à tout moment (ne pas le placer juste derrière l'appareil).

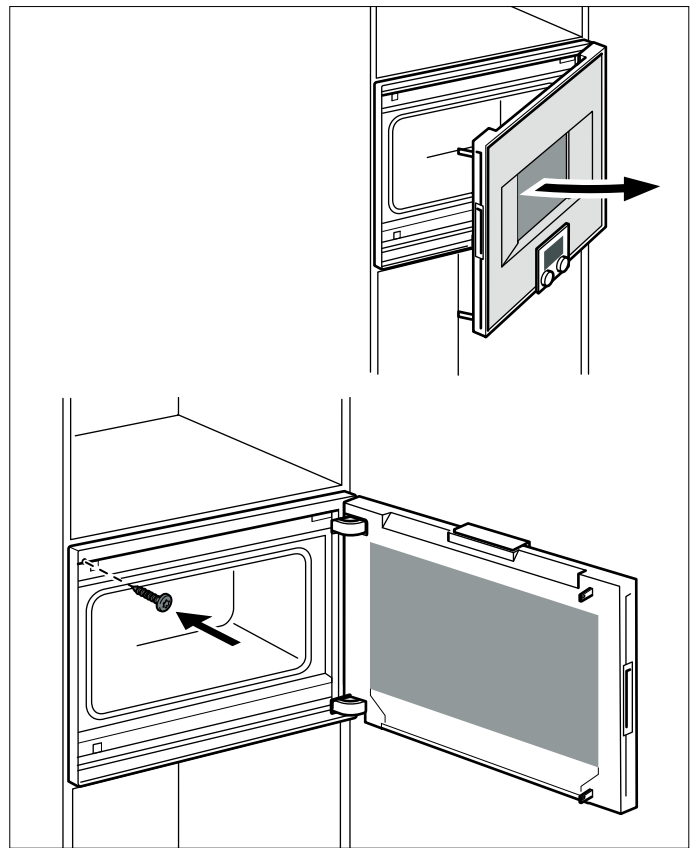
Remarques importantes concernant le tuyau souple d'évacuation

- Le tuyau souple d'évacuation ne doit à aucun endroit se situer au-dessus du bord inférieur de l'appareil.
- Sortie diamètre intérieur minimal $\varnothing 38$ mm
- Raccord d'évacuation : au moins 100 mm plus bas que la sortie de l'appareil
- Ne pas couder le tuyau souple d'évacuation.
- Ne pas raccourcir le tuyau d'évacuation fourni.
- Tuyau souple d'évacuation : longueur maximale 5 m

2. Alignez l'appareil au centre.

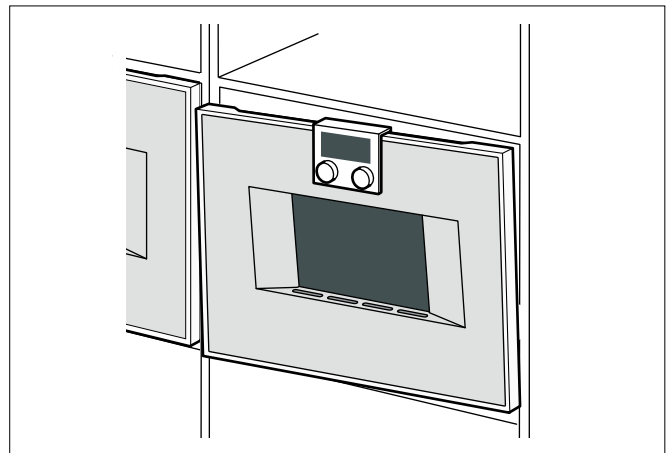


3. Utilisez un niveau à bulle pour positionner l'appareil de façon précise à l'horizontale.
4. Fixez l'appareil à l'aide de la vis fournie. Retirez le verrou de transport de la porte.

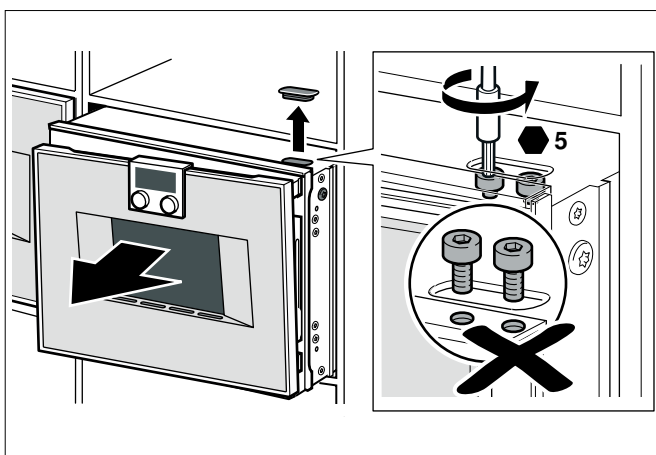


Ajustement de la porte

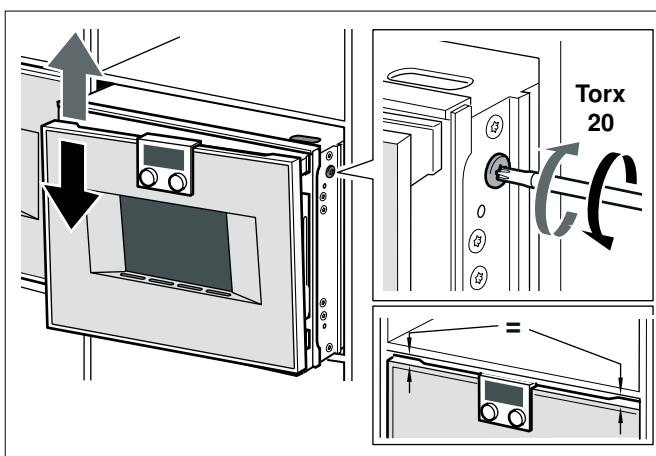
La porte de l'appareil peut être légèrement ajustée pour obtenir un alignement exact.



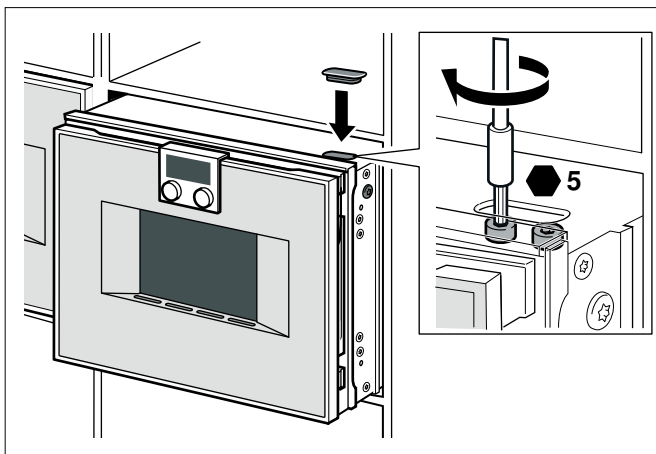
Pour ce faire, extraire légèrement l'appareil de la niche d'encastrement. Une ouverture ovale se trouve sur le côté charnière du dessus de l'appareil. Retirez le capuchon de protection. Desserrez légèrement les vis (Inbus 5 mm), mais ne pas les retirer!



Ajustez la porte sur les vis latérales (Torx 20); il peut être nécessaire d'ouvrir et de refermer la porte.



Vérifiez l'alignement puis resserrez les deux vis (Inbus 5 mm). Remplacez le capuchon de protection.



Remarques

- La porte de l'appareil est ajustée dans son état de livraison. Il n'est normalement pas nécessaire d'ajuster la porte.
- L'orientation de la porte de l'appareil peut être ajustée au niveau de la charnière, afin d'obtenir la mesure d'intervalle exacte.
- La porte ne peut pas être ajustée en hauteur.

Connexion à trois fils

BO 450/451-610

1. Branchez le fil rouge du four au fil d'alimentation électrique rouge (fil chaud).
2. Branchez le fil noir du four au fil d'alimentation électrique noir (fil chaud).
3. Branchez le fil de mise à la terre jaune/vert du four au fil de mise à la terre de l'alimentation électrique.

Fixez le câble flexible au boîtier de raccordement.

Pour faciliter l'entretien et la réparation, le conduit flexible ne doit pas être raccourci et doit être acheminé de façon à permettre la dépose temporaire du four.

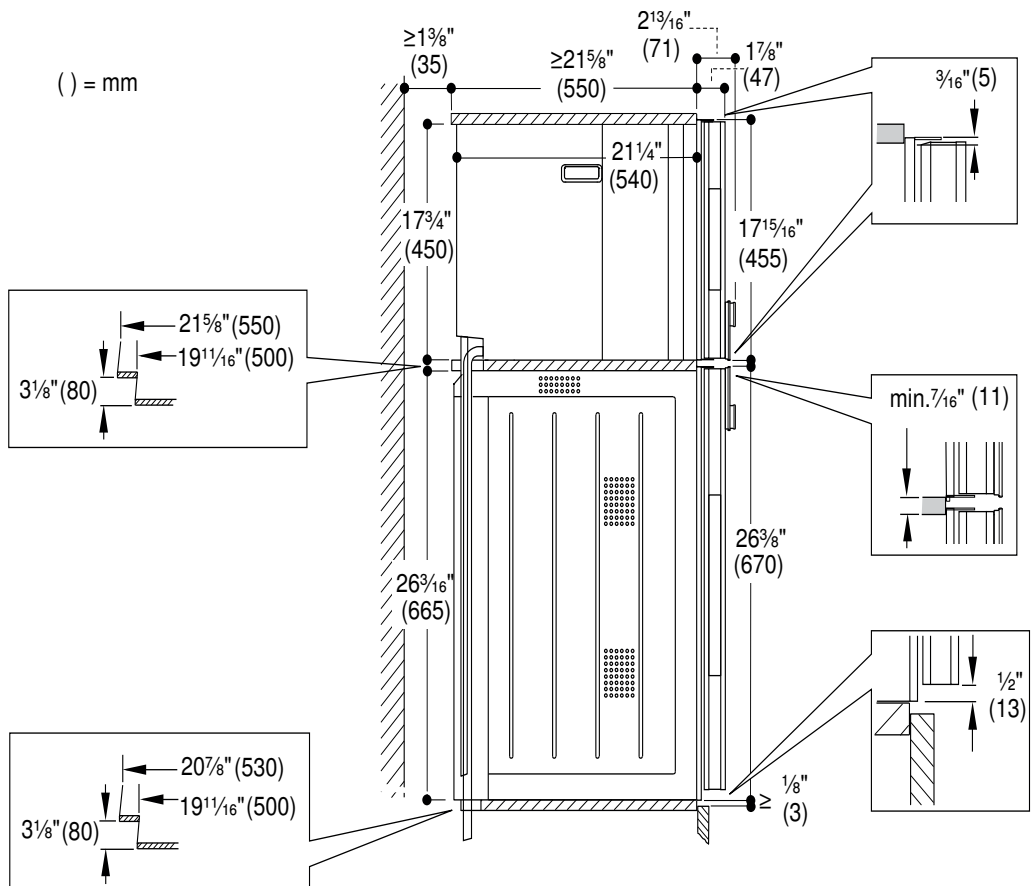
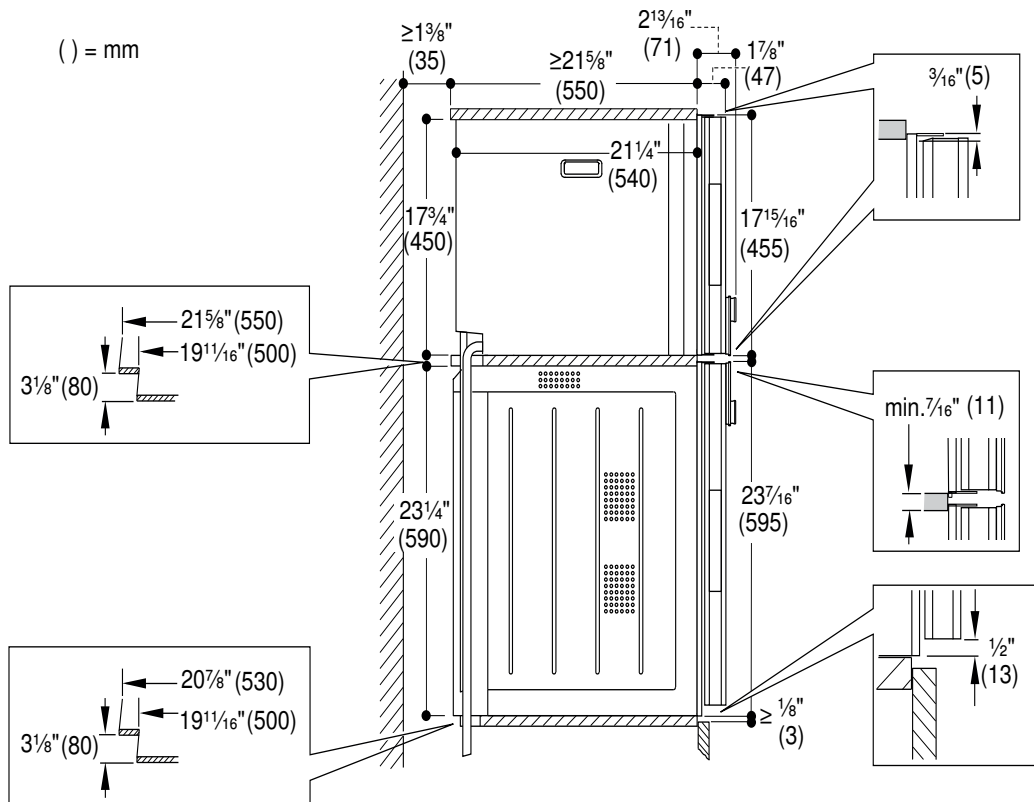
Association avec un four

Poser d'abord le four à vapeur, puis le four classique.

Pour une profondeur d'encastrement de 550 mm, positionner les tuyaux souples d'eau et le cordon d'alimentation électrique dans la zone où le boîtier est évidé.

L'arrière des fours BO 4.. comporte un coin coupé. Faire entrer les tuyaux souples d'alimentation et d'évacuation du four à vapeur du côté arrière gauche dans le meuble et les faire descendre jusqu'aux points de branchement.

Si les tuyaux souples ne passent pas par le coin arrière gauche du meuble, il faut, au moment de poser l'appareil au-dessus d'un four, avancer le corps du meuble d'au moins 35 mm et installer un panneau latéral ou un cache.



Combinaison avec un tiroir chauffant de largeur 24 po (60 cm)

Monter d'abord le tiroir chauffant WS. Respecter les instructions de montage du tiroir chauffant.

Introduire le four dans le meuble d'encastrement sur le tiroir chauffant. En l'introduisant, ne pas endommager le bandeau du tiroir chauffant.

Combinaison avec un tiroir chauffant de largeur 30" (76 cm)

Encastrement BO/BS (largeur 76 cm) au-dessus du tiroir chauffant WS uniquement avec un faux-plancher indéformable.

Vérification de l'installation

⚠ AVERTISSEMENT

Avant tout raccordement de cordon électrique ou toute mise sous tension, assurez-vous que toutes les commandes sont en position OFF (d'arrêt).

Mettre le disjoncteur en circuit.

Vérifier que les éléments fonctionnent correctement.

Dépose

1. Mettre l'appareil hors tension.
2. Desserrer les vis de fixation.
3. Soulever légèrement puis tirer entièrement l'appareil.

Service après-vente

Si votre appareil doit être réparé, notre service après-vente est à votre disposition. Nous trouvons toujours une solution adaptée, y compris pour éviter les visites inutiles de techniciens.

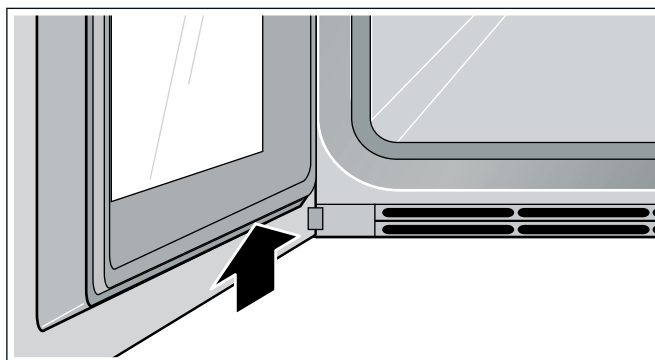
Lors de votre appel, indiquez le numéro du produit (n° E) et le numéro de série (n° FD) afin que nous puissions vous donner une réponse précise. La plaquette d'identification comportant ces numéros se trouve sur le dessous de l'appareil. Pour ne pas avoir à chercher longtemps en cas de besoin, vous pouvez inscrire ici les références de l'appareil et le numéro de téléphone du service après-vente.

N° E

N° FD

Service après-vente ☎

N'oubliez pas qu'en cas de fausse manœuvre, la visite d'un technicien d'après-vente n'est pas gratuite, même pendant la garantie.



Vous trouverez les données de contact pour tous les pays dans l'annuaire ci-joint du service après-vente.

Demande de réparation et conseils en cas de dysfonctionnement

CA 877 442 4436
toll-free

Índice

▲ Definiciones de seguridad	28
INSTRUCCIONES DE SEGURIDAD IMPORTANTES	29
Seguridad de manejo del electrodoméstico	29
Códigos y normas de seguridad	29
Seguridad eléctrica	30
Seguridad de los equipos relacionados	30
Advertencia en virtud de la Proposición 65	31
Transporte	31
Antes de empezar	32
Herramientas y piezas necesarias	32
Piezas incluidas	32
Requisitos de electricidad	32
Notas para la planificación	32
Preparar los muebles empotrables	32
Dimensiones y requisitos del gabinete	33
Requisitos generales del gabinete	33
Dimensiones del electrodoméstico	33
Dimensiones del hueco para el gabinete	34
Quitar el embalaje	35
Conexión a la red de internet doméstica (LAN)	35
Toma de agua	35
Conexión de aguas residuales	35
Montaje del electrodoméstico	36
Monte el electrodoméstico en el gabinete	36
Ajustar la puerta	37
Conexión a tres cables	38
Combinación con horno	38
Combinación con cajón calentador (anchura 24")	40
Combinación con cajón calentador (anchura 30")	40
Pruebe la instalación	40
Desmontaje	40
Servicio de Atención al Cliente	40

▲ Definiciones de seguridad

▲ ADVERTENCIA

Esto indica que pueden producirse heridas graves o incluso la muerte si no se cumple con esta advertencia.

▲ ATENCION

Esto indica que pueden producirse heridas leves o moderadas si no se cumple con esta advertencia.

AVISO

Esto indica que pueden producirse daños en el aparato o en los bienes si no se cumple con este aviso.

Nota: Esto alerta sobre información o sugerencias importantes.

INSTRUCCIONES DE SEGURIDAD IMPORTANTES

LEA Y CONSERVE ESTAS INSTRUCCIONES

PROTECCIONES IMPORTANTES

CONSERVE ESTAS INSTRUCCIONES.

ADVERTENCIA

Si no sigue la información de este manual exactamente, se puede ocasionar un incendio o una descarga eléctrica que puede causar daños materiales o lesiones personales.

ADVERTENCIA

No reparar, sustituir ni quitar ninguna pieza del electrodoméstico a menos que se recomiende de forma específica en los manuales. Una instalación, servicio o mantenimiento inadecuados pueden causar lesiones o daños materiales. Consultar este manual para recibir ayuda. Todos los demás servicios debe realizarlos un agente autorizado.

Este aparato está previsto para ser utilizado a una altura máxima de 13,100 pies (4,000 metros) sobre el nivel del mar.

Seguridad de manejo del electrodoméstico

La unidad es pesada y se requieren al menos dos personas o un equipo adecuado para trasladarla.

No levante el electrodoméstico tomándolo del asa de la puerta.



Las superficies ocultas pueden tener bordes filosos. Proceda con cuidado al intentar tomar el electrodoméstico por la parte trasera o desde abajo.

Códigos y normas de seguridad

Este electrodoméstico cumple con la última versión de una o varias de las siguientes normas:

- CAN/CSA-C22.2 No. 60335-1 Seguridad de Aparatos Eléctricos de Uso Doméstico y Similares, Parte 1: Requisitos Generales (Safety of Household and Similar Electrical Appliances - General Requirements)
- CAN/CSA C22.2 No. 60335-2-6 Seguridad de Aparatos Eléctricos de Uso Doméstico y Similares - Seguridad - Parte 2-6: Requisitos Particulares para Estufas de Cocción, Parrilas, Hornos y Aparatos Similares Fijos (Household and similar electrical appliances – Safety – Part 2-6: Particular requirements for stationary cooking ranges, hobs, ovens and similar appliances)



INSTRUCCIONES DE SEGURIDAD IMPORTANTES

LEA Y CONSERVE ESTAS INSTRUCCIONES

- UL 858 - Estufas eléctricas de uso doméstico (Household Electric Ranges)
- CAN/CSA C22.2 N.º 150 - Hornos de microondas (Microwave Ovens)
- UL 923 - Electrodomésticos de cocción por microondas (Microwave Cooking Appliances)
- CSA C22.2 N.º 64 - Electrodomésticos para cocinar y para calentar líquidos de uso doméstico (Household Cooking and Liquid-Heating Appliances)
- UL 1026 - Electrodomésticos para cocinar y para servir alimentos eléctricos de uso doméstico (Electric Household Cooking and Food Serving Appliances)

Es responsabilidad del propietario y del instalador determinar si se aplican otros requisitos o normas en instalaciones específicas.

Seguridad eléctrica



ADVERTENCIA

Antes de enchufar un cable eléctrico o activar el suministro eléctrico, asegurarse de que todos los controles están en la posición OFF.

Si el Código Nacional Eléctrico (o el Código Eléctrico Canadiense) así lo requiere, este electrodoméstico debe instalarse en un circuito derivado por separado.

El instalador debe mostrar al propietario la ubicación del disyuntor o el fusible. Márquela para recordarla más fácilmente.

INSTALADOR: DEJE ESTAS INSTRUCCIONES CON EL ELECTRODOMÉSTICO CUANDO HAYA FINALIZADO LA INSTALACIÓN.

IMPORTANTE: CONSERVE ESTAS INSTRUCCIONES PARA USO DEL INSPECTOR DE ELECTRICIDAD LOCAL.

Antes de realizar la instalación, apague la alimentación eléctrica en el panel de servicio. Trabe el panel de servicio para impedir que se encienda accidentalmente la alimentación eléctrica.

Para obtener más información, consulte la placa de datos. Para conocer la ubicación de la placa de datos, consulte la sección "Placa de datos" debajo de "Servicio técnico".

Asegúrese de que el electrodoméstico sea correctamente instalado y conectado a tierra por un técnico calificado. La instalación, las conexiones eléctricas y la conexión a tierra deben cumplir con todos los códigos correspondientes.

Seguridad de los equipos relacionados

Retire toda la cinta y el embalaje antes de usar el electrodoméstico. Destruya el embalaje después de desembalar el electrodoméstico. Nunca deje que los niños jueguen con el material de embalaje.

INSTRUCCIONES DE SEGURIDAD IMPORTANTES

LEA Y CONSERVE ESTAS INSTRUCCIONES

Nunca modifique ni altere la construcción del electrodoméstico. Por ejemplo, no retire las patas niveladoras, paneles, cubiertas para cables ni soportes/ tornillos antivuelco.

Antes de encender el electrodoméstico, retirar cualquier material de embalaje o lámina adhesiva del compartimento de cocción y de la puerta.

Advertencia en virtud de la Proposición 65:

Este producto puede contener un químico que el Estado de California reconoce como potencialmente cancerígeno o causante de daños reproductivos. Por tanto, su producto debe llevar en su embalaje la siguiente etiqueta de conformidad con la legislación de California:

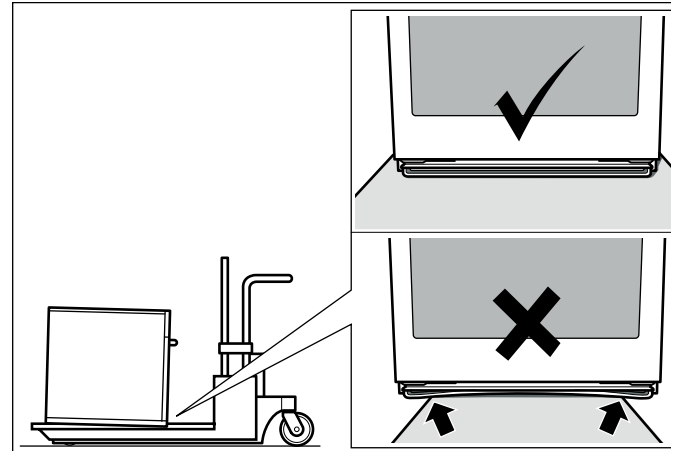
ADVERTENCIA EN VIRTUD DE LA PROPOSICIÓN 65 DEL ESTADO DE CALIFORNIA:

 **ADVERTENCIA**

Cáncer y daño reproductivo - www.P65Warnings.ca.gov

Transporte

Para evitar el daño a la abertura del horno, utiliza el método del transporte mostrado en el dibujo abajo.



Antes de empezar

Herramientas y piezas necesarias

- Destornillador con cabeza Phillips
- Taladro y broca de taladro de 1/8 pulg.
- Cinta métrica

Piezas incluidas

- Horno combinado de vapor
- 1 tornillo Torx

Requisitos de electricidad

La toma de corriente debe tener la conexión a tierra adecuada de conformidad con todos los códigos correspondientes.

Notas para la planificación

Bisagra de la puerta no intercambiable.

Distancia desde el cuerpo de los muebles hasta el frente de la puerta: 1.85" (47 mm).

Poner atención a la protuberancia del frente, eventualmente incluyendo el asa de la puerta, para abrir los cajones laterales.

Al planificar una solución en ángulo, poner atención a que el ángulo de apertura de la puerta sea al menos de 90 °.

No se podrán integrar otros aparatos eléctricos en el gabinete encima de este aparato.

No instalar la versión del aparato con el panel de control en la parte inferior sobre un lavavajillas. El vapor ascendente desde el lavavajillas puede dañar el sistema electrónico del aparato.

Preparar los muebles empotrables

Los muebles empotrados deben poder resistir una temperatura de hasta 195°F (90°C), y la parte frontal de los muebles adyacentes de hasta 160°F (70°C).

La caja de conexión debe estar situada fuera del agujero para el montaje empotrado.

Realizar los trabajos de corte en el mueble antes de colocar el aparato. Retirar las virutas, ya que el funcionamiento de los componentes eléctricos puede verse afectado.

Fijar los muebles a la pared con una escuadra estándar.

No montar el aparato demasiado alto a fin de poder retirar los accesorios sin problemas.

Dimensiones y requisitos del gabinete

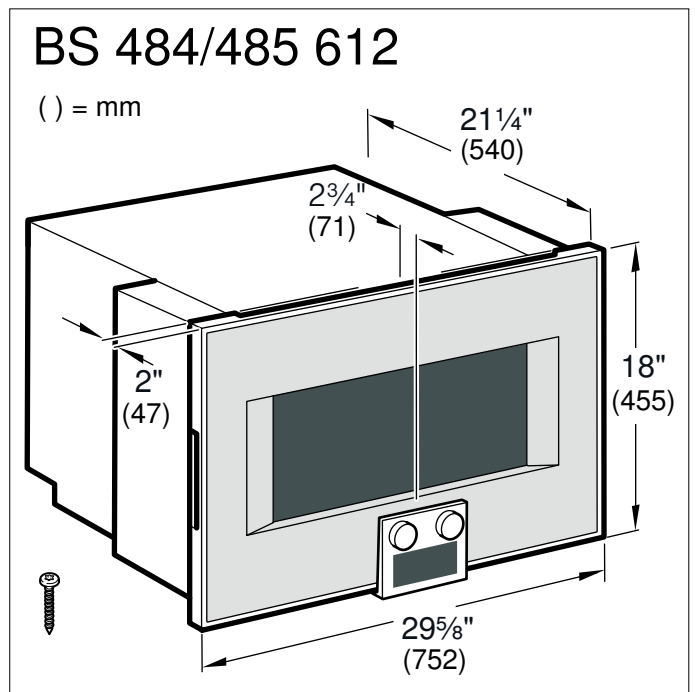
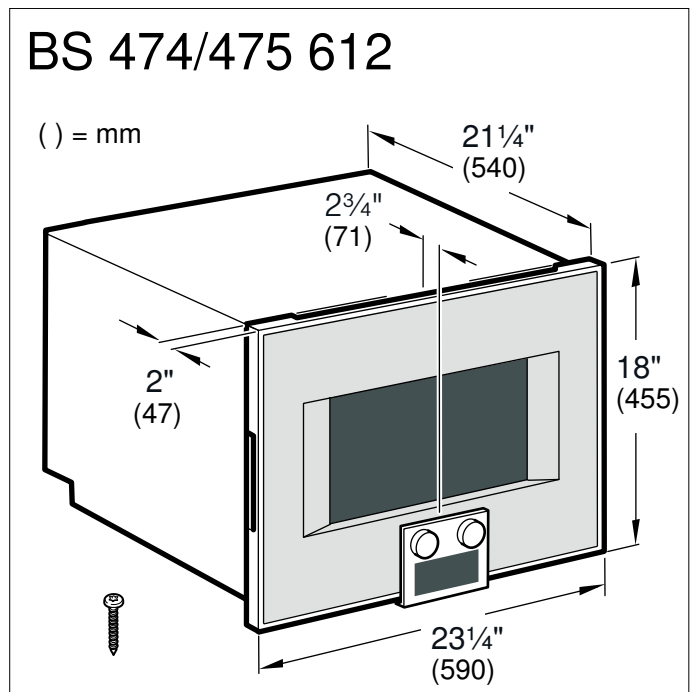
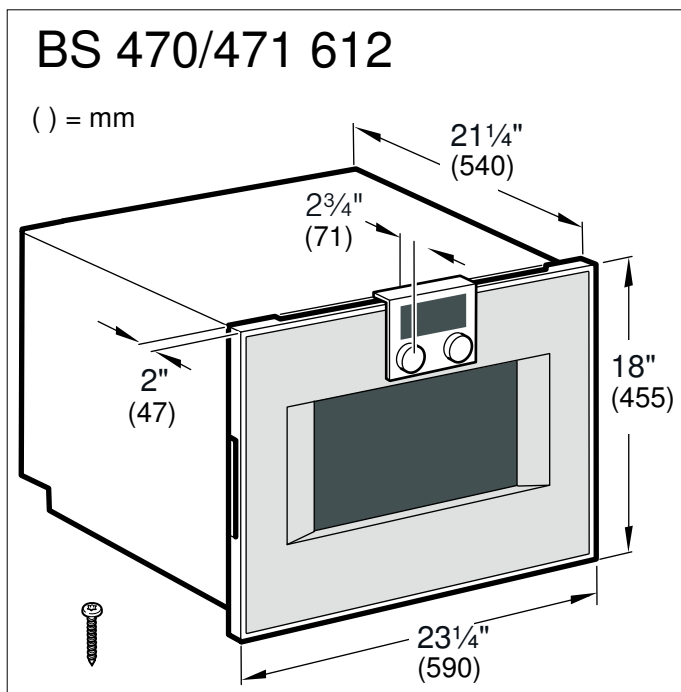
Requisitos generales del gabinete

Los requisitos del gabinete varían según el modelo a instalar. Por favor consulte la sección "Dimensión" para los detalles relativos a su modelo en particular.

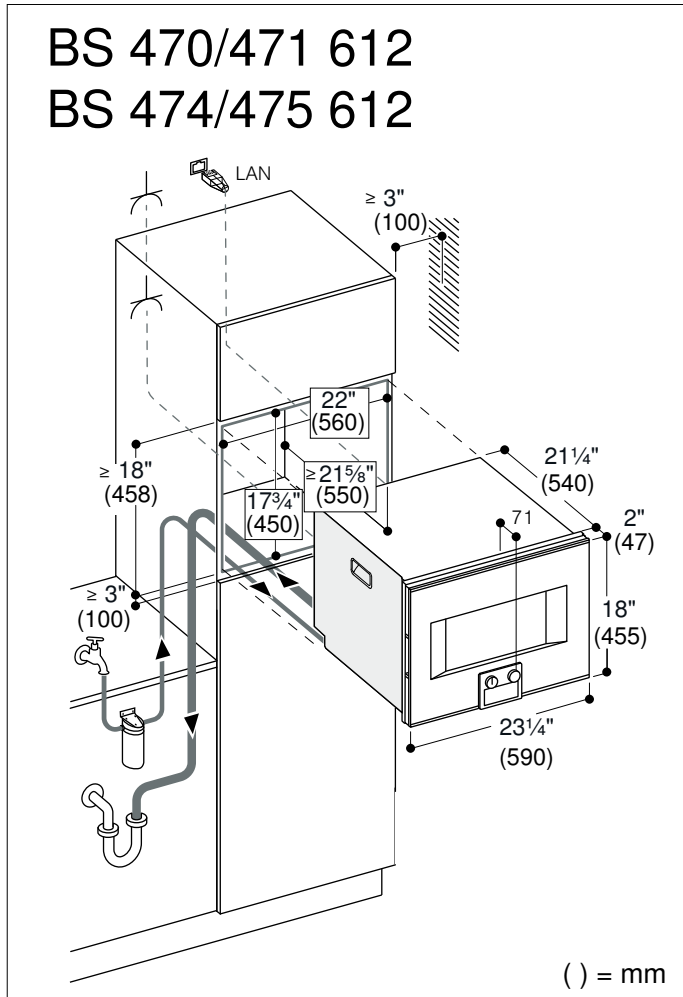
Todos los modelos requieren:

- Un espacio de ¼ pulg. (6.4 mm) entre el costado del horno y una pared adyacente o la puerta del gabinete, cuando está instalado al final de un tramo de gabinetes.
- La base del gabinete debe ser plana y capaz de soportar el peso del aparato cuando esté en uso. Ver el peso adecuado para su modelo en la sección de "Dimensiones" relativas a su modelo en particular.

Dimensiones del electrodoméstico

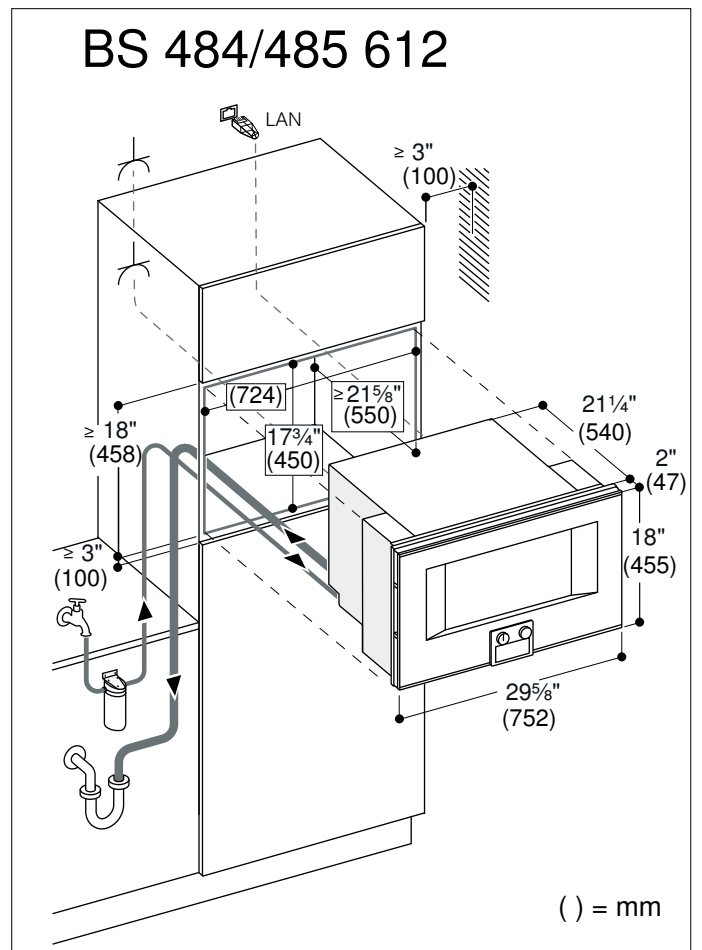


Dimensiones del hueco para el gabinete



AVISO

La base del gabinete debe ser plana y capaz de sostener un peso de por lo menos 102 lb (46 kg).



AVISO

La base del gabinete debe ser plana y capaz de sostener un peso de por lo menos 115 lb (52.1 kg).

Quitar el embalaje

AVISO

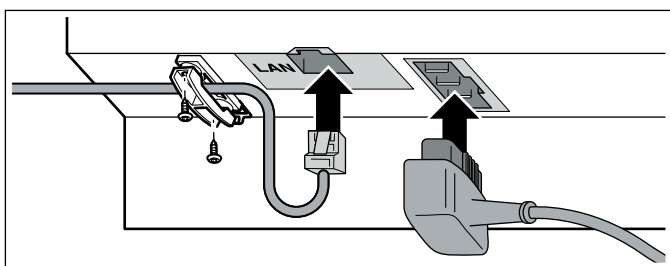
Para evitar que se dañe su piso, mantenga la unidad en su base de embalaje hasta que esté lista para ser colocada en la abertura del gabinete. No arrastre la unidad por el piso.

Los distintos modelos utilizan distintos materiales de embalaje. Es posible que los soportes reales tengan un aspecto distinto. El soporte permanece en la base de embalaje.

1. Corte las correas que se encuentran fuera de la caja.
2. Retire la caja de cartón.
3. Retire todas las abrazaderas superiores y laterales de cartón y Styrofoam.
4. Coloque el horno delante de los gabinetes, en el lugar donde se instalará.

Conexión a la red de internet doméstica (LAN)

Este aparato es compatible con conexión a internet y puede conectarse a la red doméstica mediante un cable LAN (cable no incluido). Antes de la instalación debe conectarse el cable LAN a la toma situada en la parte posterior del aparato y asegurarlo utilizando el antitracción. Conectar el cable LAN a la toma de red.



Toma de agua

El aparato está fabricado a prueba de flujos de retorno (probado por VDE). No se necesitan válvulas de conexión con inhibidores del flujo de retorno. Cumplir las regulaciones de la utilidad de agua local.

Instalar un sistema de descalcificación adecuado en la parte anterior del aparato si la dureza del agua supera los 7 dH.

Conectar el aparato solamente a una toma de agua fría:

- Conexión ¼" (26.4 mm)
- Presión de agua 2-10 bar
- mín. 2.6 gal (10 litros)/minuto

Nota: La conexión a toma de agua para la manguera de entrada debe ser accesible en todo momento (no directamente detrás del aparato).

Conexión de aguas residuales

Prever un sifón para la conexión de aguas residuales. La conexión al sifón tiene que estar siempre accesible (no directamente detrás del equipo).

Notas importantes sobre la manguera de desagüe

- No coloque la manguera de desagüe en ningún lugar más alta que el borde inferior del equipo.
- Flujo: mín. $\varnothing 1\frac{1}{2}$ " (38 mm) diámetro interior
- Conexión de agua de desagüe: mínimo 4" (100 mm) por debajo de la salida del equipo.
- No doble la manguera de desagüe
- No acorte la manguera de desagüe incluida
- Manguera de desagüe: no más de 5.5 yards (5 m) de longitud

Montaje del electrodoméstico

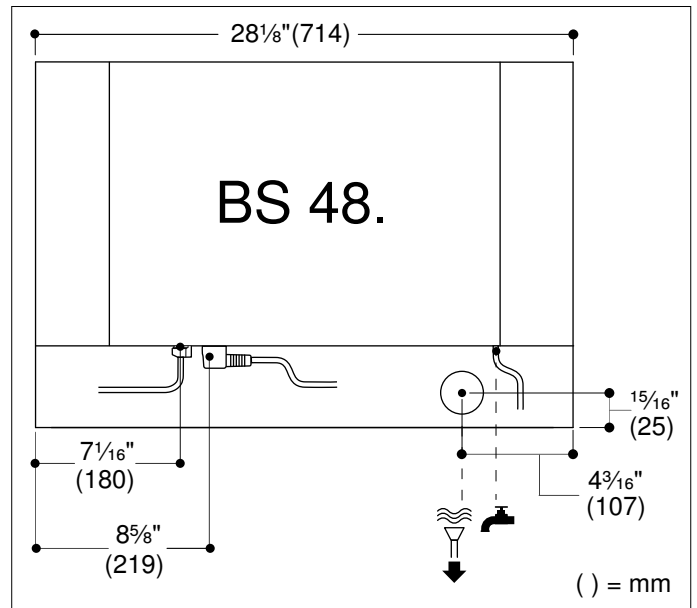
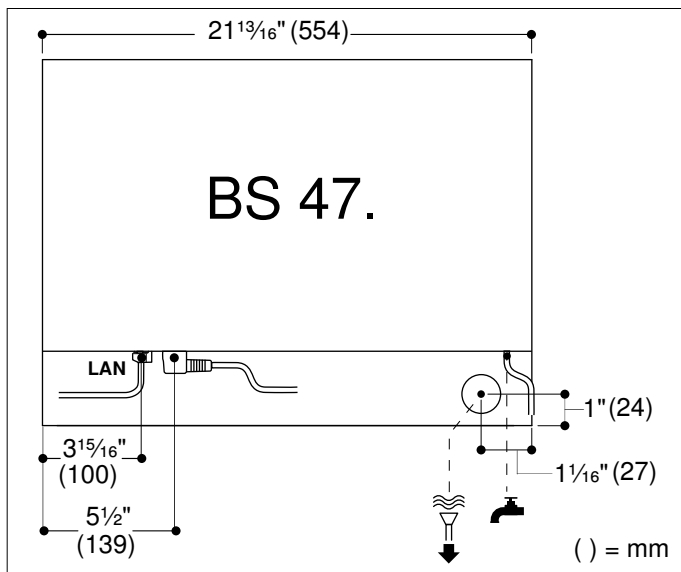
Nota: El aparato pesa demasiado. Se aconseja dos personas para insertarlo.

AVISO

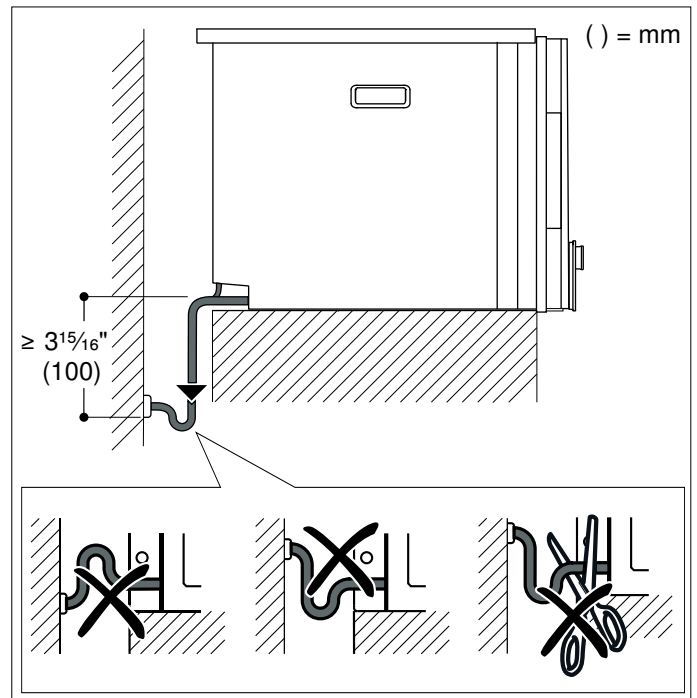
Antes de instalar el aparato, asegúrese de verificar las dimensiones del gabinete y las conexiones eléctricas.

Monte el electrodoméstico en el gabinete

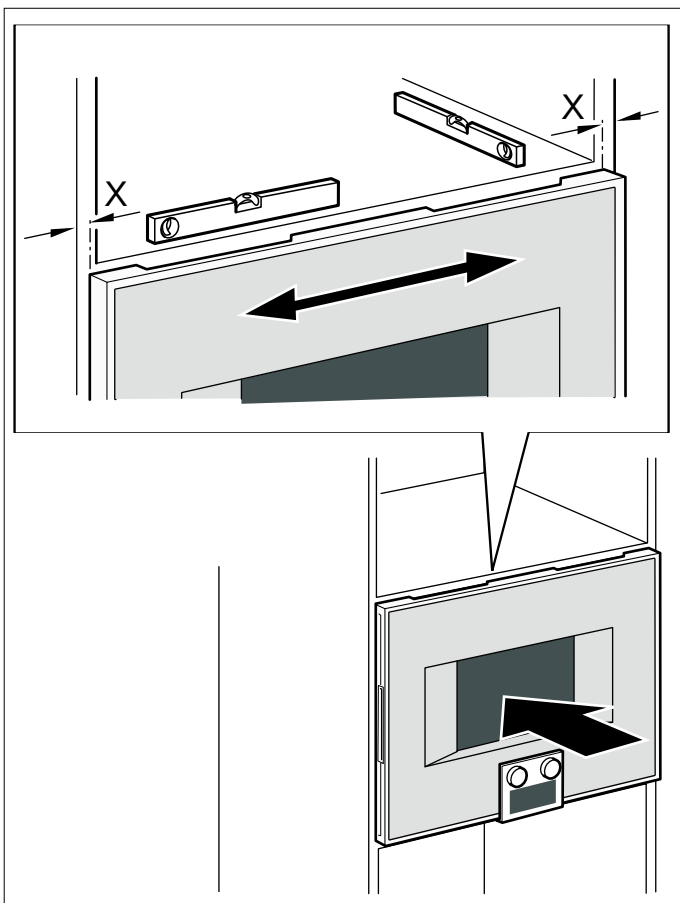
- Al instalar dos aparatos contiguos uno al otro: ambas asas empotradas deben mirar hacia el centro.
 - Asegurar el aparato contra la inclinación en el gabinete si no hay una repisa intermedia sobre el aparato: fijar dos soportes disponibles en el mercado a ambos lados en el interior del gabinete (a $17\frac{3}{4}$ " (450 mm) de profundidad, y $\frac{3}{16}$ " (5 mm) sobre la altura del aparato).
 - Antes de instalar, retirar los soportes de transportes para el suministro y mangueras de drenado de agua.
1. Empujar el aparato completamente dentro del mueble de la cocina. Guiar el cable de conexión y las mangueras de agua de entrada y salida del horno combinado de vapor a los puntos de conexión en la parte posterior izquierda del mueble de la cocina.



No retorcer ni forzar los cables de conexión y las mangueras ni encaminarlas sobre bordes afilados.

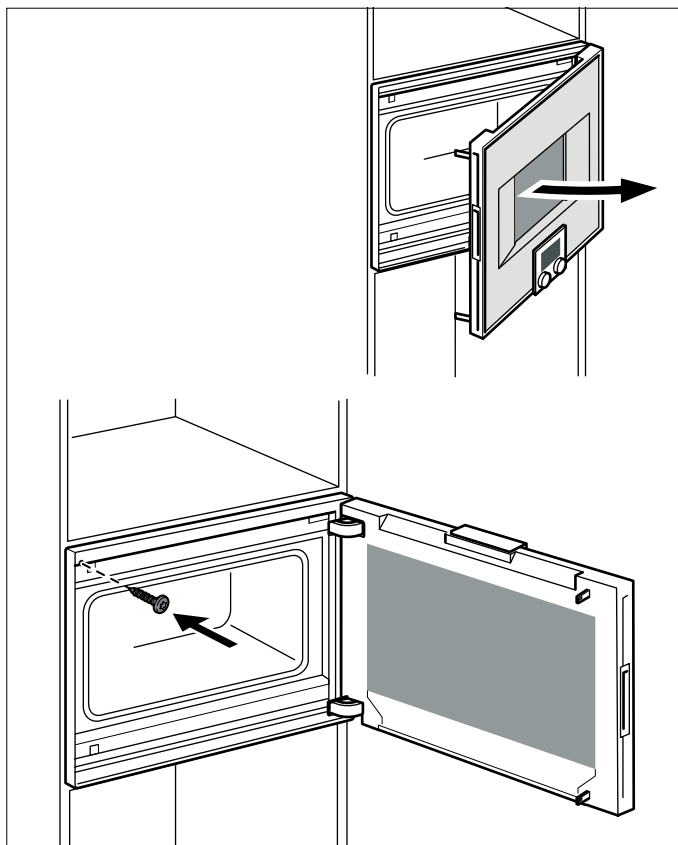


2. Alinear el aparato en el centro.



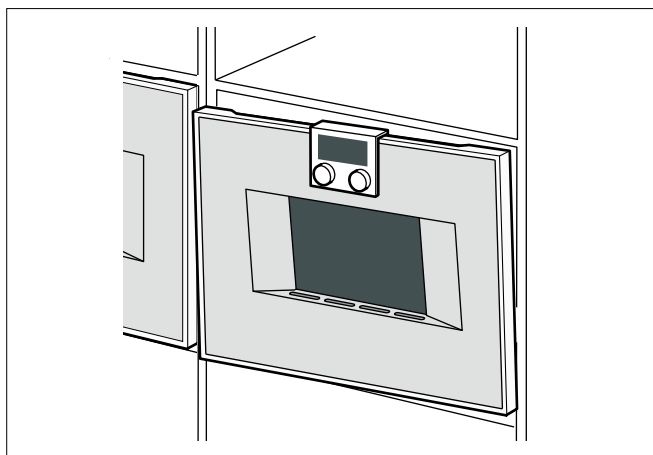
3. Utilizar un nivel de burbuja para nivelar el aparato de forma completamente horizontal.

4. Asegurar el aparato con el tornillo suministrado. Quitar el bloqueo de transporte de la puerta.

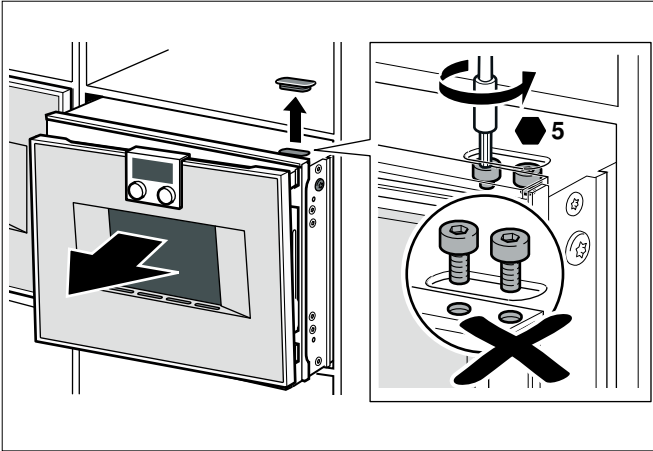


Ajustar la puerta

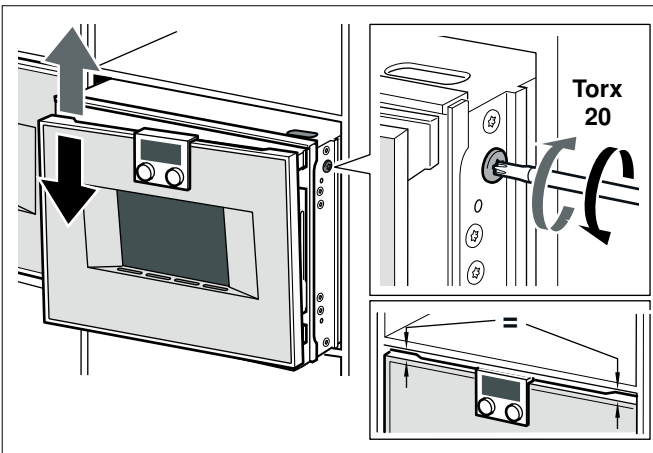
La puerta del electrodoméstico se puede ajustar para alinearla de forma exacta.



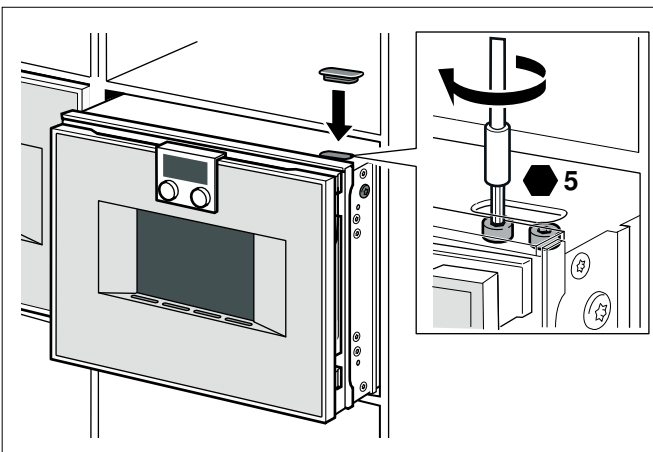
Para ello, extraer el electrodoméstico ligeramente del hueco de encastre. En la parte superior del electrodoméstico, en el lado de las bisagras, se encuentra una abertura ovalada. Retirar la tapa. Aflojar los dos tornillos (Allen 5 mm) sin llegar a desenroscarlos.



Alinear la puerta mediante los tornillos laterales (Torx 20); para ello, puede ser necesario abrir y volver a cerrar la puerta.



Comprobar la alineación y apretar los dos tornillos (Allen 5 mm). Volver a colocar la tapa.



Notas

- La puerta del electrodoméstico ya viene ajustada de fábrica. Normalmente no es necesario ajustar la puerta.
- La alineación de la puerta del electrodoméstico puede realizarse mediante las bisagras para conseguir un ajuste exacto.
- La altura de la puerta no es ajustable.

Conexión a tres cables

BO 450/451-610

1. Conecte el cable rojo del horno al cable rojo del suministro eléctrico (cable con corriente).
2. Conecte el cable negro del horno al cable negro del suministro eléctrico (cable con corriente).
3. Conecte el cable de conexión a tierra amarillo/verde del horno al cable de conexión a tierra desnudo del suministro eléctrico.

Conecte el conducto flexible a la caja de empalme.

Para facilitar las condiciones que permitan realizar un buen servicio técnico, el conducto flexible no debe acortarse y debe enrutarse de manera que permita retirar temporalmente el horno.

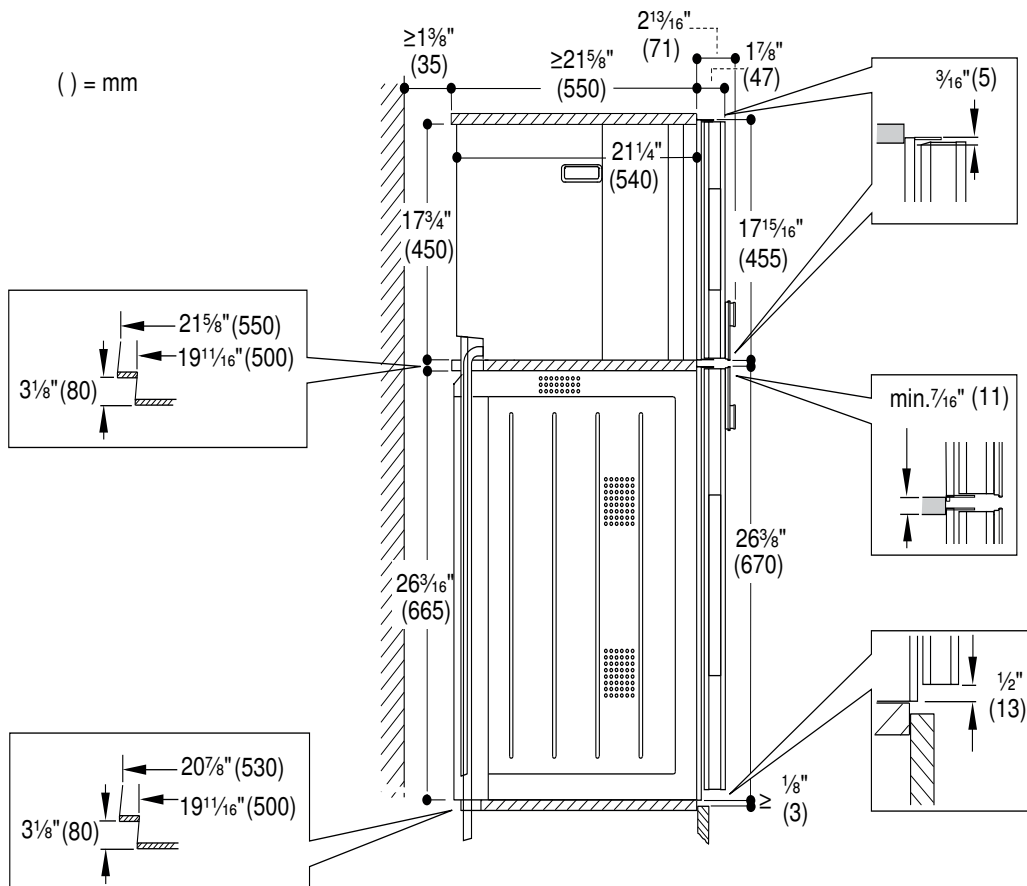
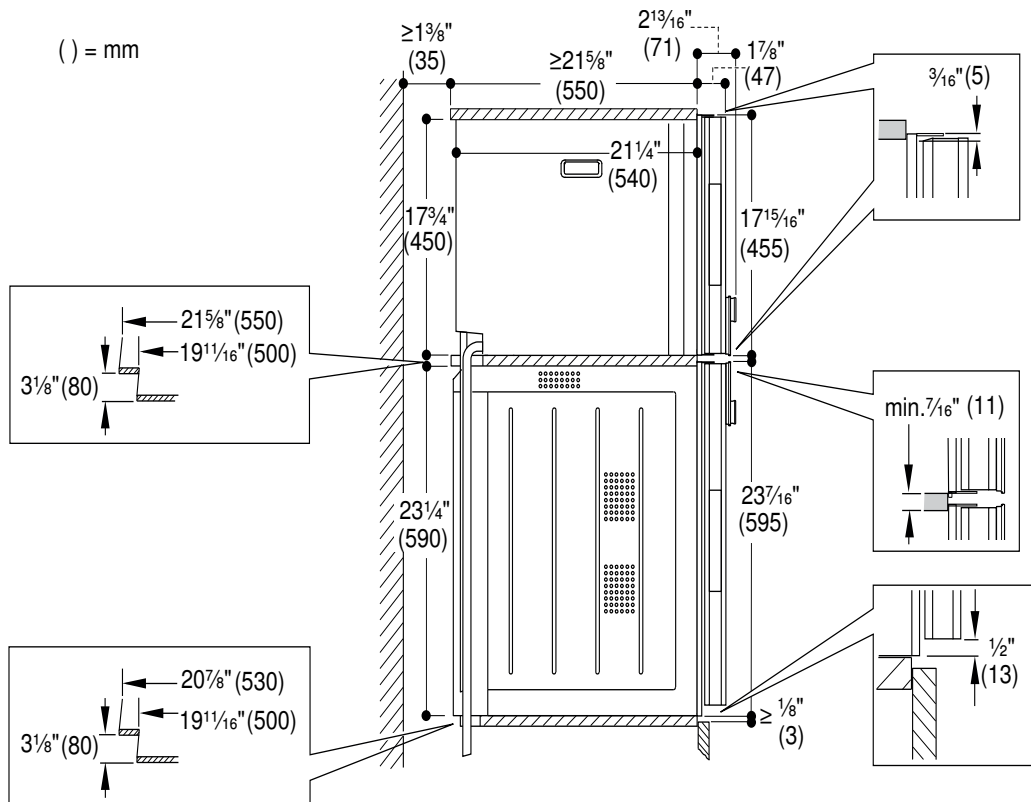
Combinación con horno

Instale primero el horno de vapor y a continuación el horno.

Coloque las mangueras de agua y el cable de conexión en el área del hueco para el gabinete del equipo, tomando en cuenta una profundidad de empotrado de 21 ⁵/₈" (550 mm).

La parte posterior de los hornos BO 4. tiene una esquina biselada. Coloque las mangueras de alimentación de agua y de drenaje del horno de vapor por detrás a la izquierda en el armario para empotrar.

Si las mangueras no se pueden colocar en la esquina por detrás a la izquierda en el mueble de empotrado, al instalar el equipo sobre un horno se tiene que mover el cuerpo del armario por lo menos 1 ³/₈" (35 mm) hacia adelante, y se debe instalar una cubierta o pantalla lateral.



Combinación con cajón calentador (anchura 24")

Montar primero el cajón calentador WS. Observar las instrucciones de instalación del cajón calentador.

Introducir el horno en el cajón calentador en el gabinete empotrado. Al introducir el horno, no dañar la placa del cajón calentador.

Combinación con cajón calentador (anchura 30")

Montaje BO/BS (anchura 30" (76 cm)) sobre cajón calentador WS solo con fondo intermedio dimensionalmente estable.

Pruebe la instalación

ADVERTENCIA

Antes de enchufar un cable eléctrico o activar el suministro eléctrico, asegurarse de que todos los controles están en la posición OFF.

Encienda el disyuntor.

Verifique que los elementos funcionen correctamente.

Desmontaje

1. Desconecte la alimentación eléctrica.
2. Afloje los tornillos de fijación.
3. Eleve ligeramente el equipo y tire de él hacia fuera hasta sacarlo por completo.

Servicio de Atención al Cliente

Si su aparato necesita una reparación, nuestro servicio de atención al cliente estará encantado de ayudarle. Siempre encontramos la solución adecuada, incluso para evitar visitas innecesarias de los técnicos.

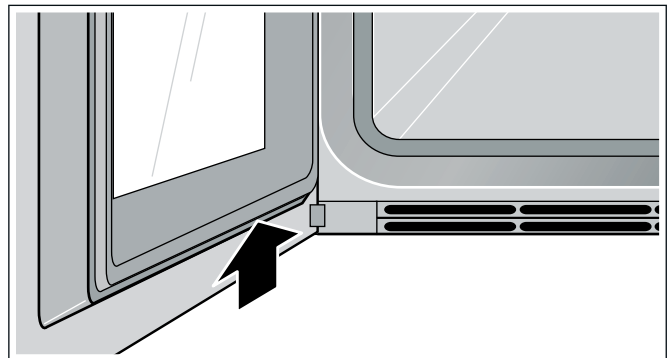
Cuando llame por teléfono, indique la referencia del producto (Nº E) y el número de fabricación (Nº FD) para que podamos ofrecerle un servicio cualificado. La placa de identificación con los números correspondientes los encontrará en la parte inferior del aparato. Para evitar tener que buscar los datos de su aparato cuando los precise, es aconsejable anotarlos aquí conjuntamente con el número de teléfono del Servicio de atención al cliente.

Nº E.

Nº FD.

Servicio de atención al cliente 

Tenga en cuenta que la visita del técnico del servicio de atención al cliente no es gratuito en caso de que el mal funcionamiento sea debido a un manejo incorrecto del aparato.



Las señas de las delegaciones internacionales figuran en la lista adjunta de centros y delegaciones del Servicio de Asistencia Técnica Oficial.

Solicitud de reparación y asesoramiento en caso de averías

US 877 442 4436
toll-free

Gaggenau
BSH Home Appliance Corporation
1901 Main Street, Suite 600
Irvine, CA 92614
1-877-442-4436

www.gaggenau.com/us
© 2020 BSH Home Appliances

Gaggenau Hausgeräte GmbH
Carl-Wery-Straße 34
81739 München
GERMANY



9001474926 (000505)
en-us, es-mx, fr-ca

GAGGENAU