

Gaggenau

Installation instructions.....2
Notice de montage 14
Instrucciones de instalación.....26

BS 470/471 611

BS 474/475 611

BS 484/485 611

Combi-steam oven
Four combi-vapeur
Horno combinado de vapor

Safety Definitions

WARNING

This indicates that death or serious injuries may occur as a result of non-observance of this warning.

CAUTION

This indicates that minor or moderate injuries may occur as a result of non-observance of this warning.

NOTICE: This indicates that damage to the appliance or property may occur as a result of non-compliance with this advisory.

Note: This alerts you to important information and/or tips.

IMPORTANT SAFETY INSTRUCTIONS

READ AND SAVE THESE INSTRUCTIONS

IMPORTANT SAFEGUARDS

SAVE THESE INSTRUCTIONS.

WARNING

If the information in this manual is not followed exactly, fire or shock may result causing property damage or personal injury.

WARNING

Do not repair, replace or remove any part of the appliance unless specifically recommended in the manuals. Improper installation, service or maintenance can cause injury or property damage. Refer to this manual for guidance. All other servicing should be done by an authorized servicer.

Proposition 65 Warning:

This product may contain a chemical known to the State of California, which can cause cancer or reproductive harm. Therefore, the packaging of your product may bear the following label as required by California:

STATE OF CALIFORNIA PROPOSITION 65 WARNING:

 **WARNING**

Cancer and Reproductive Harm - www.P65Warnings.ca.gov

Appliance Handling Safety

Unit is heavy and requires at least two people or proper equipment to move.

Do not lift appliance by door handle.

Hidden surfaces may have sharp edges. Use caution when reaching behind or under appliance.

Safety Codes and Standards

This appliance complies with the latest version of one or more of the following standards:

- CAN/CSA C22.2 No. 61 - Household Cooking Ranges
- UL 858 - Household Electric Ranges
- CAN/CSA C22.2 No. 150 - Microwave Ovens
- UL 923 - Microwave Cooking Appliances
- CSA C22.2 No. 64 - Household Cooking and Liquid-Heating Appliances
- UL 1026 - Electric Household Cooking and Food Serving Appliances

It is the responsibility of the owner and the installer to determine if additional requirements and/or standards apply to specific installations.

Electric Safety

WARNING

Before you plug in an electrical cord or turn on power supply, make sure all controls are in the OFF position.

If required by the National Electrical Code (or Canadian Electrical Code), this appliance must be installed on a separate branch circuit.

Installer – show the owner the location of the circuit breaker or fuse. Mark it for easy reference.

INSTALLER: LEAVE THESE INSTRUCTIONS WITH THE APPLIANCE AFTER INSTALLATION IS COMPLETE.

IMPORTANT: SAVE THESE INSTRUCTIONS FOR THE LOCAL ELECTRICAL INSPECTOR'S USE.

Before installing, turn power OFF at the service panel. Lock service panel to prevent power from being turned ON accidentally.

Refer to data plate for more information. See “Data Plate” under “Service” for data plate location.

Be sure your appliance is properly installed and grounded by a qualified technician. Installation, electrical connections and grounding must comply with all applicable codes.

IMPORTANT SAFETY INSTRUCTIONS

READ AND SAVE THESE INSTRUCTIONS

Related Equipment Safety

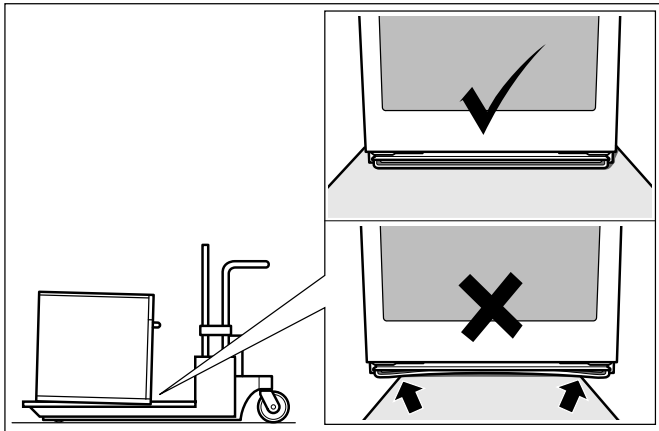
Remove all tape and packaging before using the appliance. Destroy the packaging after unpacking the appliance. Never allow children to play with packaging material

Never modify or alter the construction of the appliance. For example, do not remove leveling legs, panels, wire covers or anti-tip brackets/screws.

Before starting up the appliance, remove any packaging material and adhesive film from the cooking compartment and the door.

Transport

To avoid damage to the oven vent, use the transport method shown in the picture below.



Before you begin

Tools and parts needed

- Philips head screwdriver
- 1/8" drill bit and drill
- Measuring tape

Parts included

- Combi-steam oven
- 1 Torx screw

Power Requirements

The outlet must be properly grounded in accordance with all applicable codes.

Planning notes

Door hinge not interchangeable.

Distance from furniture body to door front 1.85" (47 mm).

Distance from furniture body to outer edge of door handle 3.7" (94 mm) after retrofitting the handle (special accessory).

Pay attention to the front protrusion, possibly including the door handle, for opening drawers at the sides.

When planning a corner solution, pay attention to the door opening angle of at least 90°.

No other electrical appliance may be integrated into the cupboard above this appliance.

Do not install the appliance version with the control panel on the bottom above a dishwasher. Ascending steam from the dishwasher can damage the appliance electronics.

You can order the following installation accessories

- GZ 010 011: Extension of the supply and drain hose (length 6.6 ft / 2 m)
- GF 111 700: Descaling system

Provide the descaling system when connecting the appliance if the water hardness exceeds 7 dh in order to reduce the calcification of the appliance.

Preparing Kitchen Units

Units into which ovens are to be fitted must be heat-resistant up to 195°F (90°C) and adjacent cabinets up to 160°F (70°C).

Connection box must be outside of the installation niche.

Perform cut-out work on the furniture before inserting the appliance. Remove any shavings or the function of the electrical components may be impaired.

Secure freestanding units to the wall using a standard bracket.

Only fit the appliance up to a height that allows accessories to be removed easily.

Dimensions and Cabinet Requirements

General Cabinet Requirements

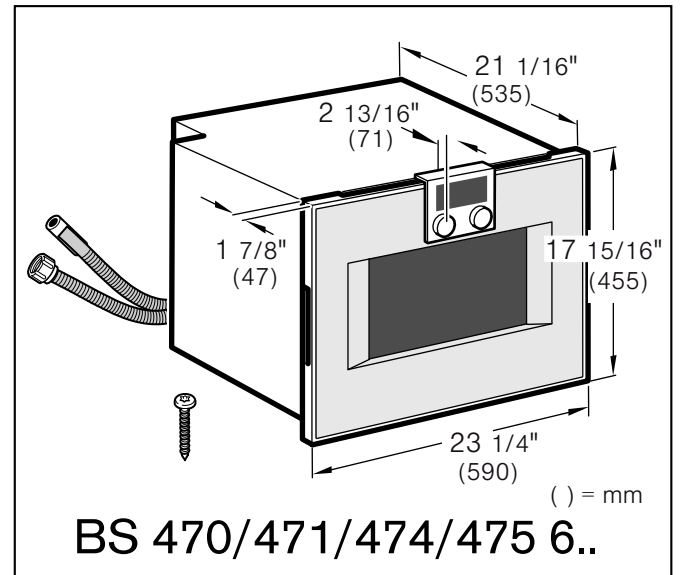
Cabinet requirements vary depending on the model to be installed. Please consult the section "Dimensions" for the details pertaining to your particular model.

All models require:

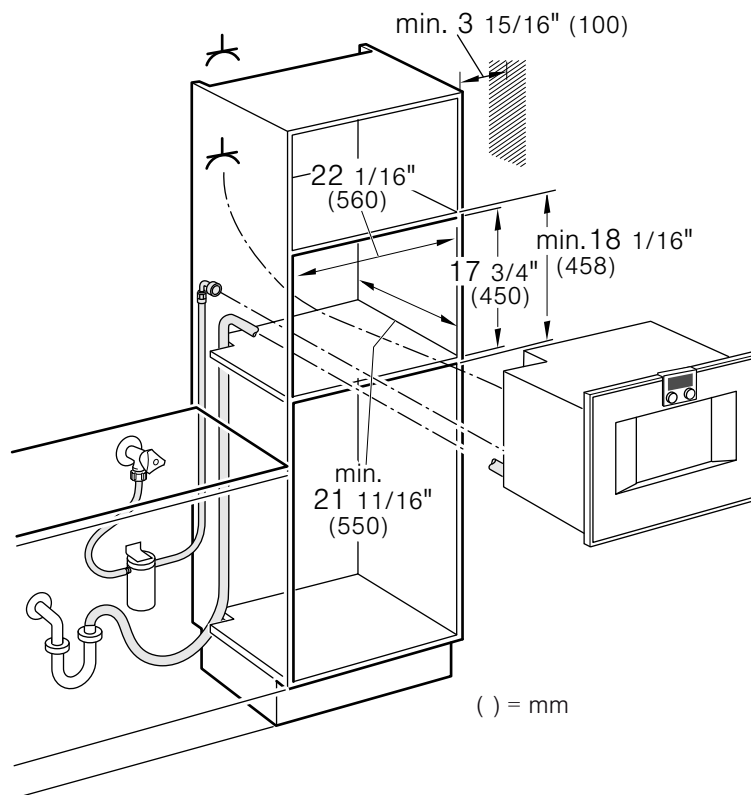
- 1/4" (6.4 mm) space between the side of the appliance and an adjacent wall or cabinet door when installed at the end of a cabinet run.
- The cabinet base must be flat and capable of supporting the weight of your appliance when in use. See the appropriate weight for your model in the "Dimensions" section pertaining to your particular model.

Dimensions for 24" Wall-Mounted Units

Appliance Dimensions



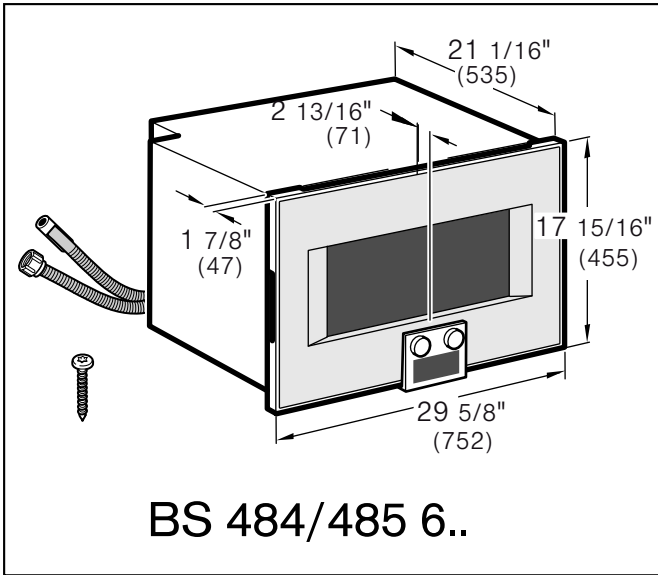
Cabinet Dimensions



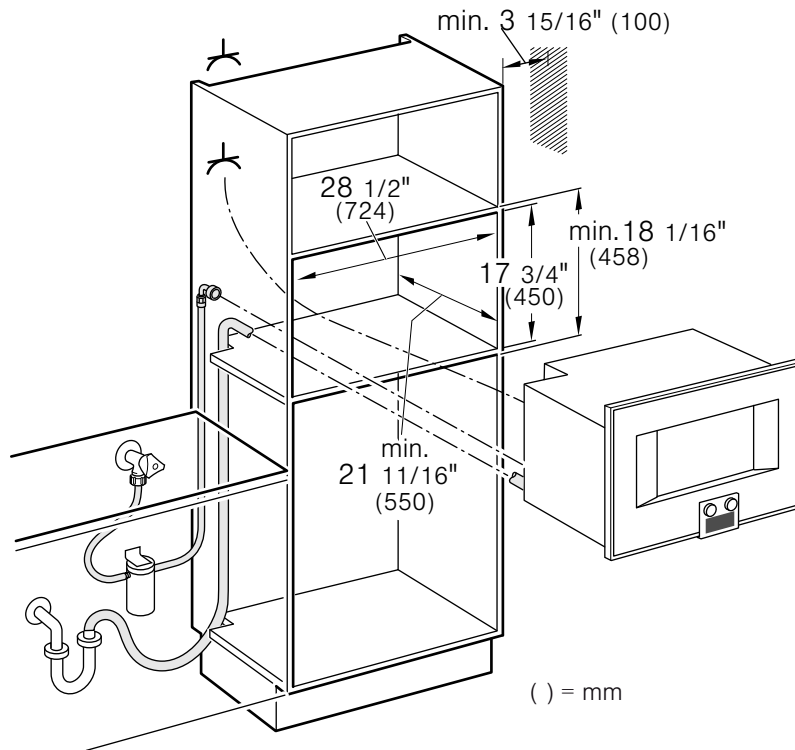
NOTICE: The cabinet base must be flat and capable of supporting a weight of at least 102 lbs (46 kg).

Dimensions for 30" Wall-Mounted Units

Appliance Dimensions



Cabinet Dimensions



NOTICE: The cabinet base must be flat and capable of supporting a weight of at least 115 lbs (52.1 kg).

Removing Packaging

NOTICE: To prevent damage to your floor keep the unit in its packaging base until ready to be placed in the cabinet opening. Do not slide the unit across the flooring.

Different models use different packaging materials. Actual brackets may look differently. Bracket remains in packaging base.

- 1 Cut straps on outside of box.
- 2 Remove cardboard box.
- 3 Remove all top and side cardboard and Styrofoam braces.
- 4 Place oven in front of cabinets where it is to be installed.

Water connection

The appliance is backflow-proof (DVGW tested). Connection valves with backflow preventers are not required. Follow the regulations of the local water utility.

Install a suitable descaling system in front of the appliance if the water hardness exceeds 7 dH. We recommend the GF 111 100 descaling system (available as a special accessory).

Only connect the appliance to a cold-water connection:

- Connection ¾" (26.4 mm)
- Water pressure 2-10 bar
- min. 2.6 gal (10 liters)/minute

Notes

- Mount the supply hose on the appliance with the terminal bracket. **Tighten the plastic union nut only by hand!**
- The water connection for the supply hose must always be accessible (not directly behind the appliance).

Waste water connection

Provide for an odor trap on the drain connection. The connection on the odor trap must always be accessible (not directly behind the appliance).

Important notes on the drain hose

- Do not fit the drain hose at any point higher than the bottom edge of the appliance
- Drain: at least $\varnothing 1.6''$ (40 mm) inner diameter
- Drain connection: at least 4'' (100 mm) lower than the appliance drain
- Do not kink the drain hose
- Do not shorten the included drain hose
- Drain hose: no more than 5.5 yards (5 m) long
- Remove the transport lock from the drain hose (metal clip) on the rear of the appliance

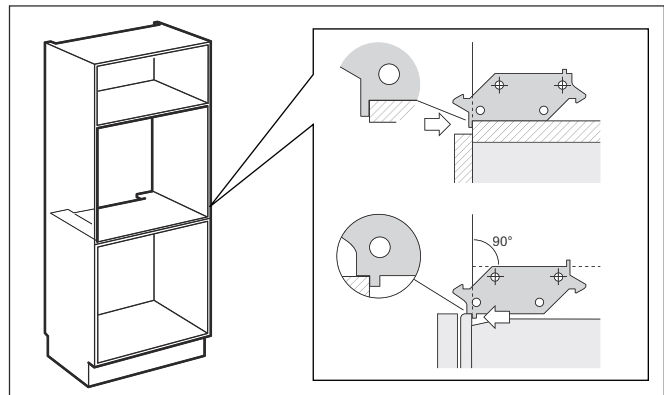
Install Appliance

Note: The appliance is heavy. It is advisable to install it with a second person.

NOTICE: Before installing the appliance, be sure to verify the cabinet dimensions and electrical connections.

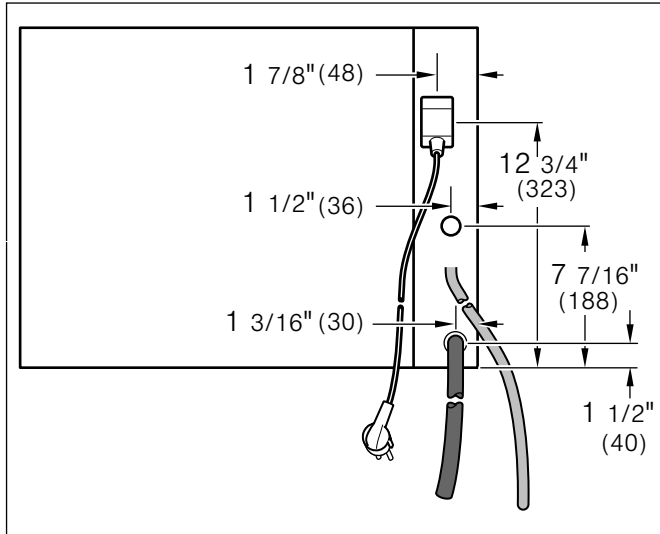
Mount to Cabinet

Use the included retaining plate and two screws to fasten on the side bottom of the hinge side in the installation cabinet. Mark the screw midpoint, the retaining plate must be positioned precisely. Depending on the installation situation, on partition floor or heating drawer WS4..., turn the retaining plate by 180°. When pushed into the cupboard, the appliance snaps into the retaining plate.

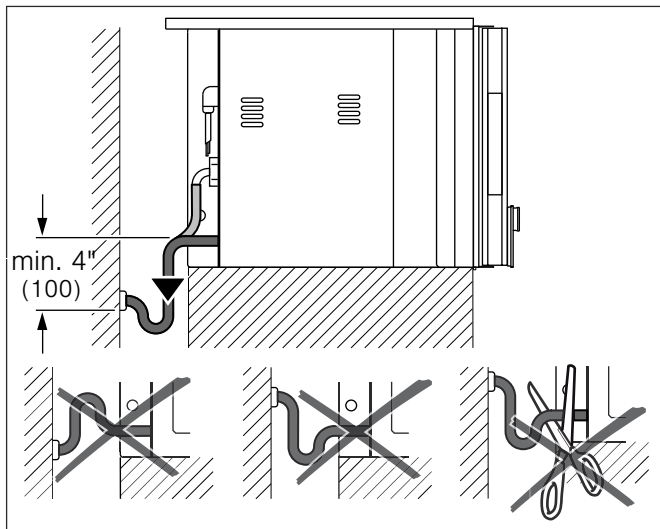


Secure the appliance against tilting in the cupboard if there is not intermediate shelf above the appliance: fasten two commercially available brackets on both sides inside the cupboard (at $17 \frac{3}{4}''$ (450 mm) deep, $\frac{3}{16}''$ (5 mm) above appliance height).

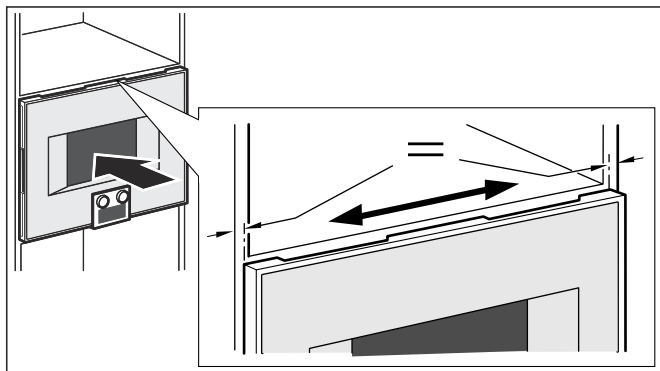
- 1 Push the appliance fully into the kitchen unit. Route the Combi-steam oven's connecting cable and supply and drain water hoses to the connection points on the rear left in the kitchen unit.



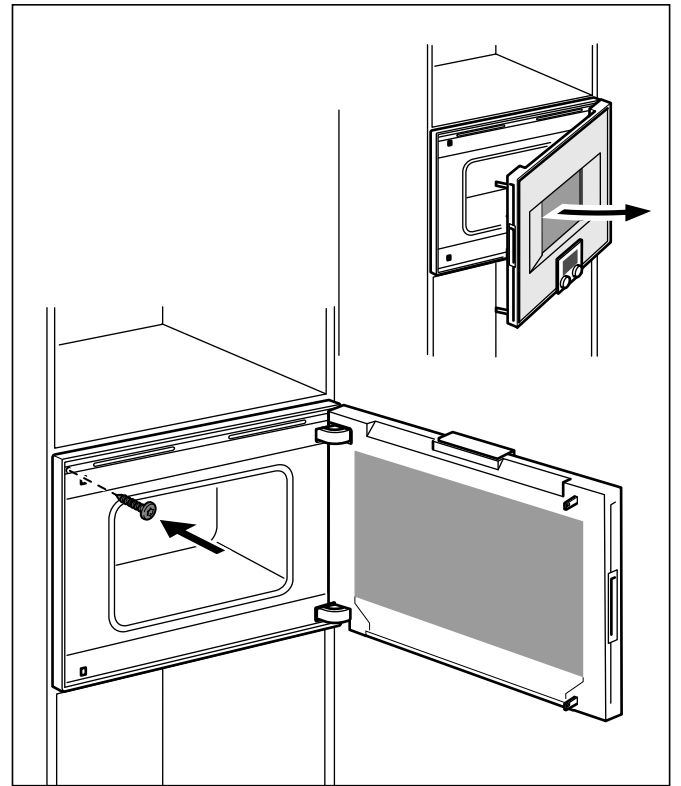
Do not kink or jam connecting cables and hoses or route them over sharp edges.



- 2 Align the appliance in the center. An air gap of $\frac{3}{16}$ " (5 mm) is required between the appliance and adjoining furniture frontages.

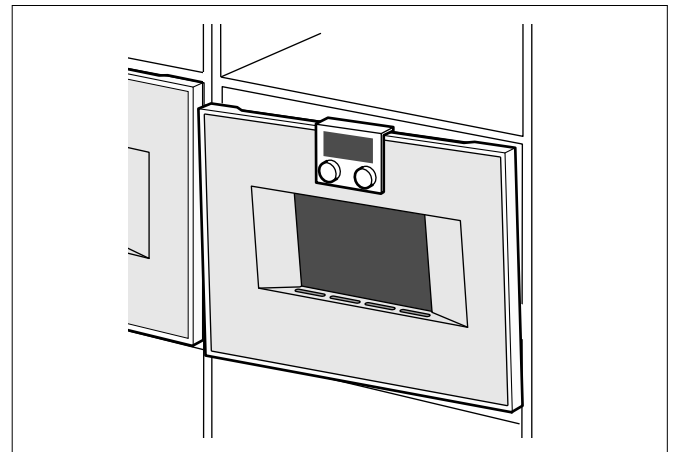


- 3 Use a spirit level to align the appliance exactly horizontally.
- 4 Fasten the appliance with the included screw. Remove transportation lock from the door.

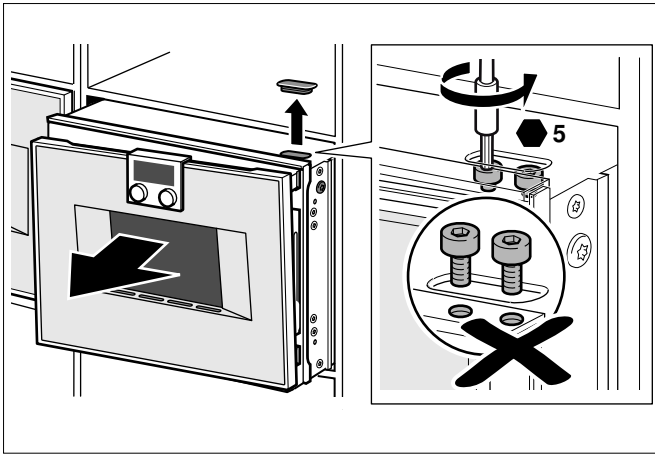


Adjusting the door

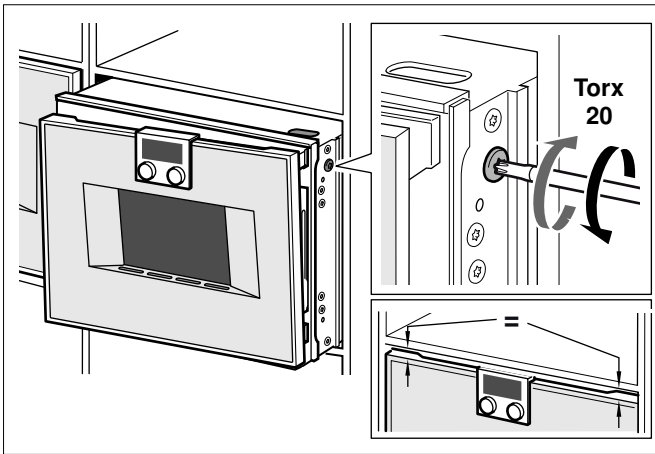
For precise alignment, the appliance door can be easily adjusted.



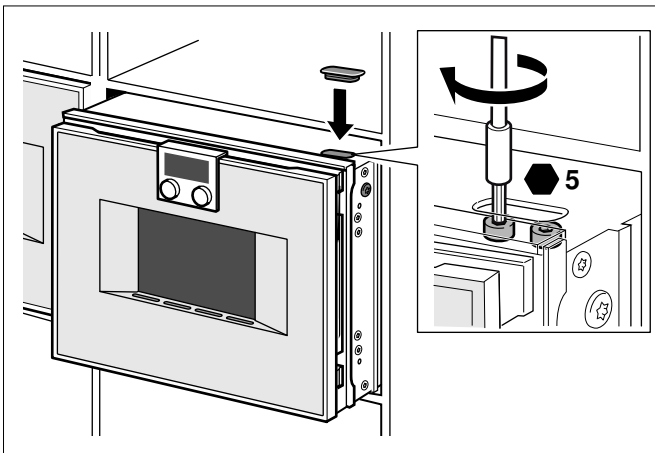
For this purpose, slightly pull out the appliance from the built-in cut-out. At the top of the appliance there is an oval opening located on the hinge side. Remove the cover cap. Slightly loosen both screws (Inbus 5 mm), but do not remove them!



Align the door via the lateral screw (Torx 20).



Tighten both screws (Inbus 5 mm) again. Attach the cover cap again.



Notes

- The alignment of the appliance door can be adjusted via the upper hinge, in order to achieve a precise gap size of the top edge of the door to the upper air output.
- The height of the door cannot be adjusted.
- The device door is already aligned when the appliance is delivered. You do not normally need to align the door.

Three wire connection

BO 450/451-610

- 1 Connect red wire from oven to red electrical supply wire (hot wire).
- 2 Connect black wire from oven to black electrical supply wire (hot wire).
- 3 Connect yellow/green ground oven wire to bare ground electrical supply wire.

Attach flexible conduit to the junction box.

To facilitate serviceability, the flex conduit must not be shortened and should be routed to allow for temporary removal of the oven.

Combination with an oven

In the case of the BS 474/475 and BS 484/485 appliance versions, the control panel is at the bottom. As a result, these models are particularly suitable for installation over a Gaggenau Series BO 4.. oven.

Fit the Combi-steam oven first and then the oven.

For an installation depth of 21 ⁵/₈" (550 mm), position the water hoses and the connecting cable in the area of the housing cut-out.

The rear of the BO 4.. ovens has a bevelled corner. Route the Combi-steam oven's connecting cable and supply and drain water hoses downwards to the connection points on the rear left in the kitchen unit.

If the hoses are not routed in the corner on the rear left in the kitchen unit, when installing the appliance over an oven the kitchen unit's body must be pulled forward by at least 1 3/8" (35 mm) and side paneling or a trim must be inserted.

Check the Installation

▲ WARNING

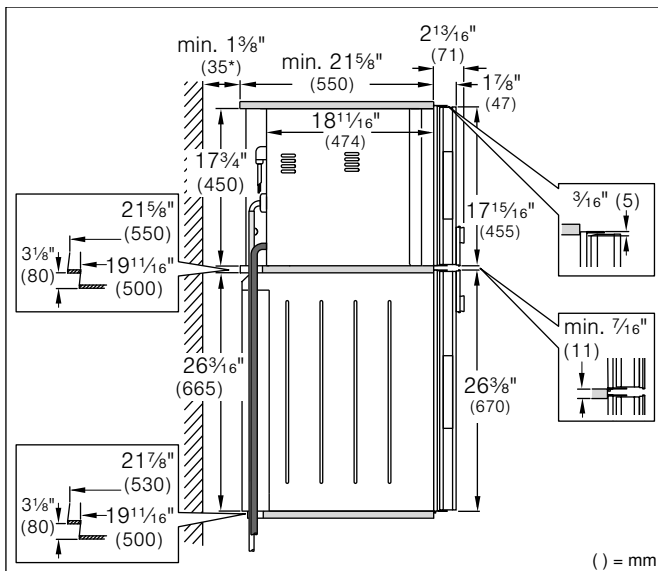
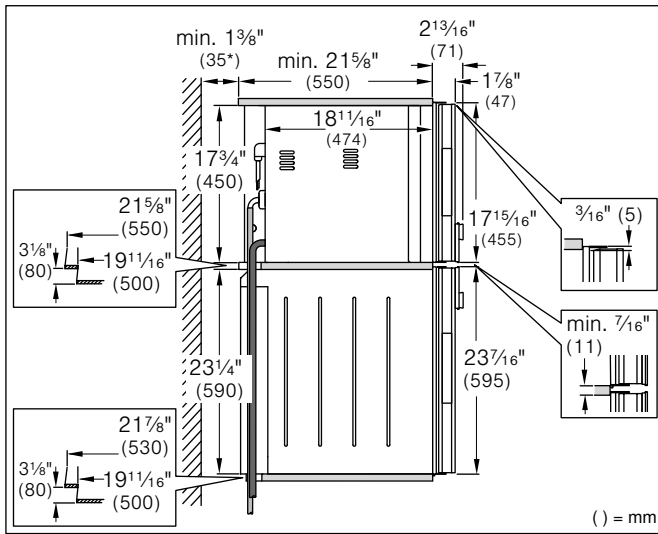
Before you plug in an electrical cord or turn on power supply, make sure all controls are in the OFF position.

Switch on the circuit breaker.

Verify that elements function properly.

Removal

- 1 Disconnect the appliance from the power supply.
- 2 Undo the fastening screws.
- 3 Raise the appliance slightly and pull it out completely.



Combination with warming drawer, width 24" (60 cm)

Fit the warming drawer first. Pay attention to the warming drawer's installation instructions.

Slide the oven onto the warming drawer and into the built-in cabinet. When sliding it in, do not damage the warming drawer's panel.

Combination with warming drawer, width 30" (76 cm)

Installation BO/BS (width 30" (76 cm)) over warming drawer WS only with dimensionally stable partition floor.

Customer service

If your appliance needs repairs, our customer service is there for you. We work hard to help solve problems quickly and without unnecessary service calls, getting your appliance back up and running correctly in the least amount of time possible.

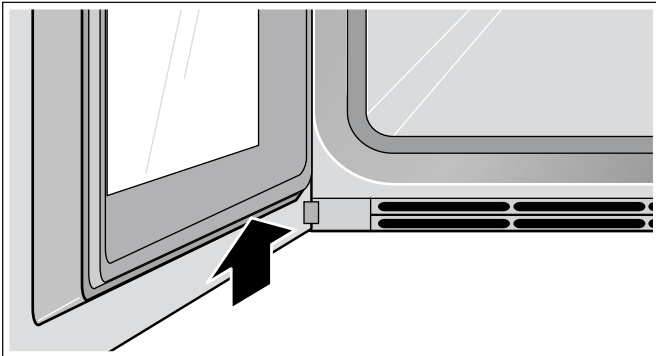
When you call, please indicate the product number (E-Nr.) and serial number (FD-Nr.) so that we can support you in a qualified manner. You will find the type plate with these numbers on the bottom of the appliance. To avoid having to search for a long time when you need it, you can enter your appliance data and the customer support telephone number here.

E-Nr.

FD-Nr.

Customer Service ☎

Please read the use and care instructions provided with your appliance. Failure to do so may result in an error in using the appliance. This could result in a service call that instead of fixing a mechanical issue is only needed for customer education. Such calls are not covered by the appliance warranty.



Please find the contact data of all countries in the enclosed customer service list.

To book a service visit and product advice

USA 877 442 4436
 toll-free

CANADA 877 442 4436
 toll-free

Définitions de sécurité

AVERTISSEMENT

Ceci indique que le non-respect de cet avertissement peut entraîner des blessures graves, voire la mort.

ATTENTION

Ceci indique que le non-respect de cet avertissement peut entraîner des blessures légères ou de gravité moyenne.

AVIS : Ceci indique que la non-conformité à cet avis de sécurité peut entraîner des dégâts matériels ou endommager l'appareil.

Remarque : Ceci vous signale des informations et/ou indications importantes.

IMPORTANTES CONSIGNES DE SÉCURITÉ

LIRE ET CONSERVER CES INSTRUCTIONS

CONSIGNES DE SÉCURITÉ IMPORTANTES

CONSERVEZ CES INSTRUCTIONS.

AVERTISSEMENT

Si l'information de ce guide n'est pas suivie exactement, il peut en résulter un incendie ou un choc électrique causant des dommages à la propriété, des blessures ou la mort.

AVERTISSEMENT

Ne réparez, remplacez, ni ne retirez aucune partie de l'appareil, excepté si les manuels recommandent de le faire. Une installation, un entretien ou une inspection incorrects peuvent occasionner des blessures ou des dommages matériels. Reportez-vous au présent manuel pour obtenir des indications. Toute autre intervention doit être effectuée par un technicien agréé.

Avertissement issu de la proposition 65 :

Ce produit pourrait contenir un produit chimique reconnu par l'État de la Californie comme cancérigène ou ayant des effets nocifs sur la reproduction. Par conséquent, l'emballage de votre produit pourrait porter l'étiquette suivante, comme requis par la Californie :

AVERTISSEMENT ISSU DE LA PROPOSITION 65 DE L'ÉTAT DE LA CALIFORNIE :



AVERTISSEMENT

Cancer et dommages à la reproduction -
www.P65Warnings.ca.gov

Sécurité de manutention des appareils

Cet appareil est lourd et il faut au moins deux personnes ou l'équipement approprié pour le déplacer.

Ne pas soulever l'appareil par la poignée de la porte.

Certaines surfaces peuvent avoir des bords tranchants. Faire attention en étendant le bras derrière l'appareil ou en dessous.

Codes et normes de sécurité

Cet appareil est conforme aux plus récentes versions de l'une ou plus des normes suivantes :

- CAN/CSA C22.2 No. 61 - Cuisinières pour usage ménager (Household Cooking Ranges)
- UL 858 - Cuisinières électriques domestiques (Household Electric Ranges)
- CAN/CSA C22.2 No. 150 - Fours à micro-ondes (Microwave Ovens)
- UL 923 - Appareils de cuisson à micro-ondes (Microwave Cooking Appliances)
- CSA C22.2 No. 64 - Appareils de cuisson domestique et de chauffage des liquides (Household Cooking and Liquid-Heating Appliances)
- UL 1026 - Appareils électriques domestiques pour la cuisson et la préparation des aliments (Electric Household Cooking and Food Serving Appliances)

Il incombe au propriétaire et à l'installateur de déterminer si des exigences et/ou normes additionnelles s'appliquent pour des installations spécifiques.

IMPORTANTES CONSIGNES DE SÉCURITÉ

LIRE ET CONSERVER CES INSTRUCTIONS

Sécurité électrique

AVERTISSEMENT

Avant tout raccordement de cordon électrique ou toute mise sous tension, assurez-vous que toutes les commandes sont en position OFF (d'arrêt).

S'il y a lieu, conformément au Code national de l'électricité (ou au Code canadien de l'électricité), cet appareil doit être installé sur un circuit de dérivation séparé.

Installateur – Indiquer au propriétaire l'emplacement du disjoncteur ou du fusible. Identifier sa position pour pouvoir le retrouver facilement.

INSTALLATEUR : LAISSEZ CES INSTRUCTIONS AVEC L'APPAREIL APRÈS UNE FOIS L'INSTALLATION TERMINÉE.

IMPORTANT : CONSERVER CES INSTRUCTIONS POUR L'USAGE DE L'INSPECTEUR ÉLECTRIQUE LOCAL.

Avant l'installation, mettre l'appareil hors service au panneau de service. Verrouiller le panneau d'entrée d'électricité pour éviter que le courant ne soit accidentellement rétabli.

Pour plus d'informations, se reporter à la plaque signalétique. Pour connaître l'emplacement de la plaque signalétique, voir "Plaque signalétique" sous "Entretien".

S'assurer que l'appareil est installé et mis à la terre par un technicien qualifié. L'installation, les connexions électriques et la mise à la terre doivent être conformes à tous les codes applicables.

Sécurité apparentée concernant l'équipement

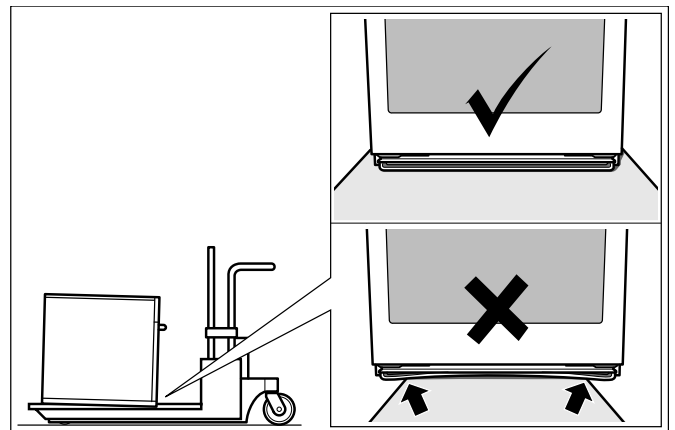
Retirer le ruban adhésif et l'emballage avant d'utiliser l'appareil. Détruire l'emballage après avoir déballé l'appareil. Ne jamais laisser les enfants jouer avec les matériaux de conditionnement.

Ne jamais modifier ni altérer la configuration de l'appareil. Par exemple, ne pas retirer les pieds de nivellement, les panneaux, les couvercles de câblage ou les fixations/vis antibasculement.

Avant d'allumer l'appareil, retirez tout matériel d'emballage ou pellicule adhésive du compartiment de cuisson et de la porte.

Transport

Pour éviter tout dommage à l'évent du four, utiliser la méthode de transport illustrée ci-dessous.



Avant de commencer

Outils et pièces nécessaires

- Tournevis cruciforme
- Mèche de 1/8 po (3 mm) et perceuse
- Ruban à mesurer

Pièces comprises

- Four combi-vapeur
- 1 vis Torx

Exigences électriques

La prise doit être correctement reliée à la terre selon tous les codes applicables.

Instructions de conception

Sens d'ouverture de la porte non modifiable.

Distance corps du meuble – façade de la porte 47 mm.

Distance corps du meuble – bord extérieur de la poignée de porte 94 mm (s'il s'agit de la poignée ajoutée, accessoire spécial).

Pour permettre l'ouverture de tiroirs latéraux, tenir compte du débordement avant, y compris de la poignée de porte.

Si une pose en angle est envisagée, tenir compte d'un angle minimum d'ouverture de la porte de 90°.

Aucun autre appareil électrique ne doit être installé dans l'armoire au-dessus de cet appareil.

Ne pas installer la version de l'appareil dont les commandes se situent vers le bas sur un lave-vaisselle. La vapeur s'échappant du lave-vaisselle peut endommager les composants électroniques de l'appareil.

Vous pouvez commander les accessoires d'installation suivants

- GZ 010 011 : rallonge du tuyau d'alimentation/d'écoulement (2 m de longueur)
- GF 111 700 : système de détartrage

Prévoir le système de détartrage lors du raccordement de l'appareil dès lors que la dureté de l'eau dépasse les 7° dH, afin de réduire l'entartrage de l'appareil.

Préparation des meubles

Les meubles d'encastrement doivent résister à une température allant jusqu'à 90°C, la façade des meubles voisins jusqu'à 70°C.

La prise de raccordement doit se trouver en dehors de la niche.

Réaliser les travaux de découpe sur le meuble avant la mise en place de l'appareil. Retirer les copaux susceptibles de gêner le fonctionnement des composants électriques.

Les meubles non fixés doivent être fixés au mur au moyen d'une équerre usuelle du commerce.

Encastrer l'appareil à une hauteur qui permette de retirer sans problème les accessoires.

Exigences en matière de dimensions et d'armoire

Exigences générales concernant le meuble

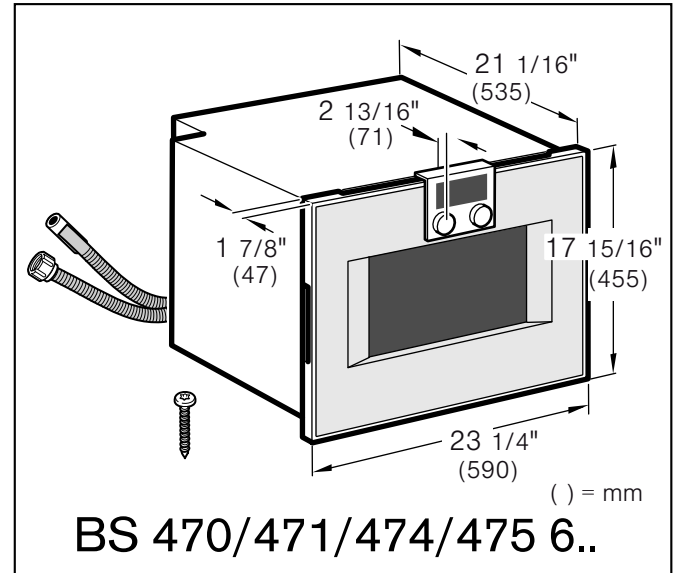
Les exigences concernant le meuble dépendent du modèle à poser. Veuillez consulter le chapitre "Dimensions" pour obtenir des précisions sur votre modèle.

Tous les modèles exigent :

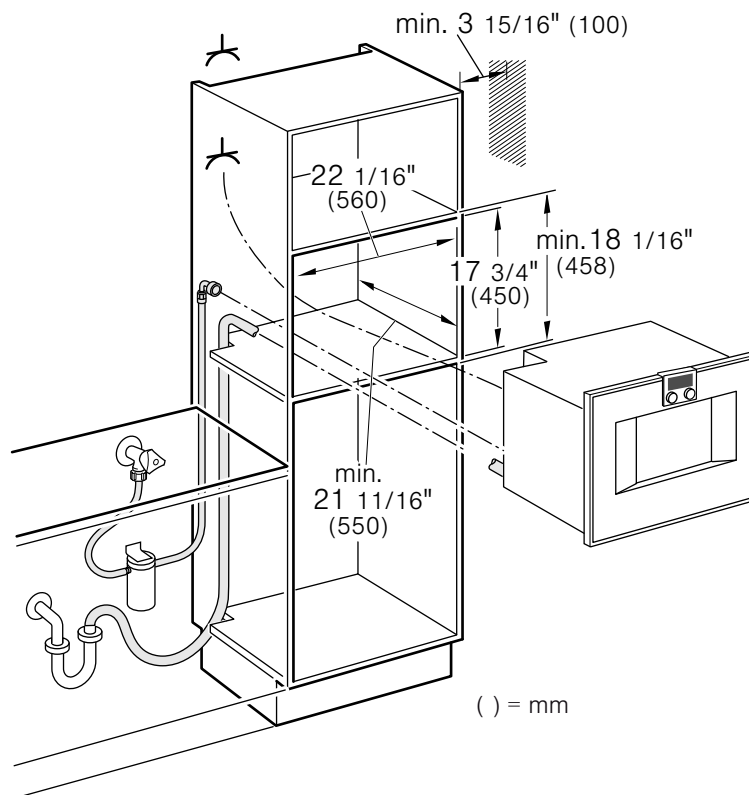
- Un espace de $\frac{1}{4}$ po (6.4 mm) entre la paroi latérale du four et le mur adjacent ou la porte de l'armoire s'il l'unité est installée à la fin d'une série d'armoire.
- Le socle du meuble doit être plat et doit pouvoir supporter le poids de l'appareil lorsqu'il est en service. Pour connaître le poids exact de votre modèle, consultez le chapitre "Dimensions".

Dimensions pour les unités installées au mur de 24 po (60 cm)

Dimensions de l'appareil



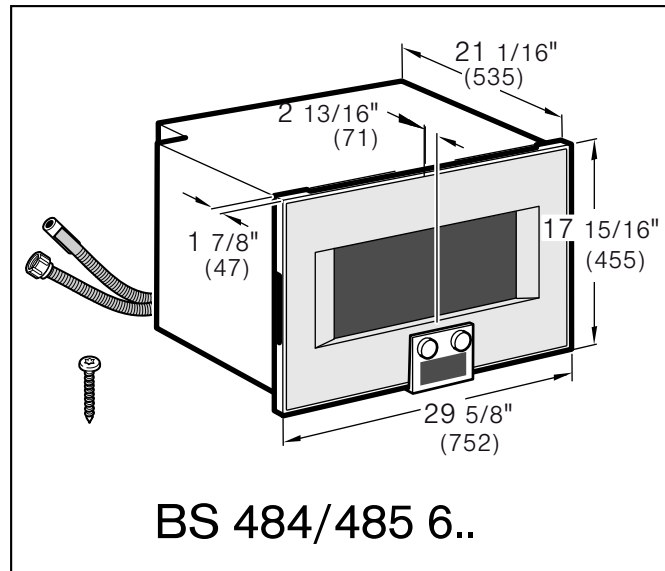
Dimensions de la découpe des armoires



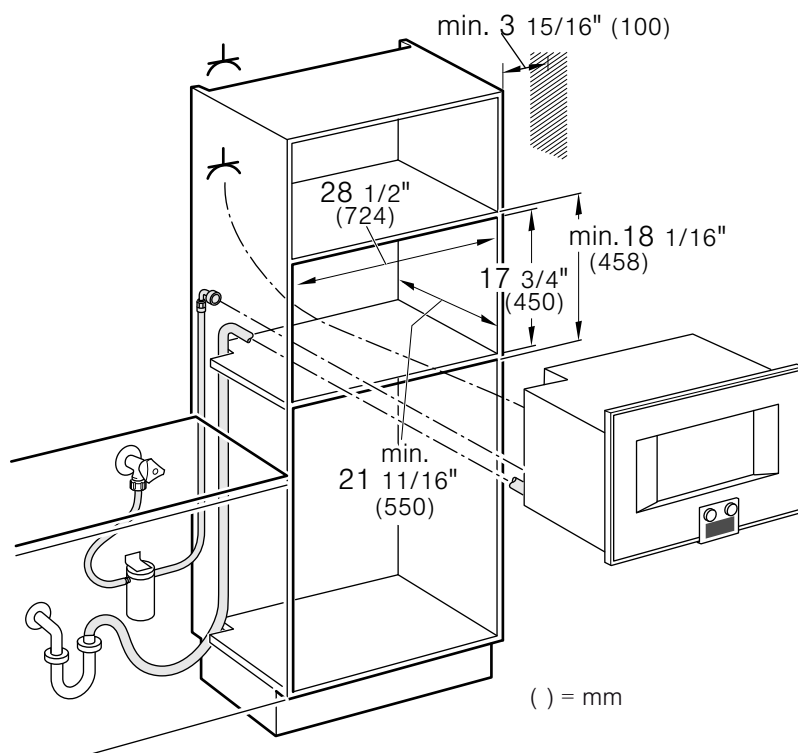
AVIS : Le socle du coffret doit être plate et apte à soutenir un poids d'au moins 102 lb (46 kg).

Dimensions pour les unités installées au mur de 30 po (76 cm)

Dimensions de l'appareil



Dimensions de la découpe des armoires



AVIS : Le socle du coffret doit être plate et apte à soutenir un poids d'au moins 115 lb (52.1 kg).

Pour enlever l'emballage

AVIS : Pour éviter d'endommager le plancher, laissez l'unité dans la portion inférieure de l'emballage jusqu'au moment de le placer dans l'ouverture de l'armoire. Ne pas faire glisser l'unité sur le plancher.

Différents emballages sont employés selon les modèles. Les supports peuvent avoir l'air différents. Les supports restent dans la base de l'emballage.

- 1 Couper les attaches à l'extérieur de la boîte.
- 2 Enlever la boîte de carton.
- 3 Retirer le carton sur le dessus et sur les côtés ainsi que les pièces d'arrimage en styromousse.
- 4 Placez le four devant l'armoire à l'endroit où il sera installé.

Raccordement de l'eau

L'appareil est protégé contre tout refoulement (testé par le DVGW). Aucun dispositif anti-retour n'est nécessaire sur les accessoires de raccordement. Respecter les consignes de l'entreprise de distribution d'eau locale.

Installer une installation de détartrage appropriée en amont de l'appareil si la dureté de l'eau dépasse 7°dH. Nous recommandons le système de détartrage GF 111 100 (disponible en accessoire spécial).

Ne brancher l'appareil qu'à un raccord d'eau froide :

- Raccord ¾ po (26,4 mm)
- Pression d'eau 2-10 bar
- au moins 10 litres/minute

Remarques

- Utiliser le coude de raccordement pour monter le conduit flexible d'alimentation sur l'appareil. **Ne serrer l'écrou de serrage en plastique qu'à la main !**
- Le dispositif de raccordement au conduit flexible d'alimentation doit toujours être accessible (ne pas être situé directement derrière l'appareil).

Raccord d'évacuation

Prévoir un siphon au niveau du branchement d'évacuation. Le branchement au siphon doit rester accessible à tout moment (ne pas le placer juste derrière l'appareil).

Remarques importantes concernant le tuyau souple d'évacuation

- Le tuyau souple d'évacuation ne doit à aucun endroit se situer au-dessus du bord inférieur de l'appareil.
- Sortie diamètre intérieur minimal $\varnothing 40$ mm
- Raccord d'évacuation : au moins 100 mm plus bas que la sortie de l'appareil
- Ne pas couder le tuyau souple d'évacuation.
- Ne pas raccourcir le tuyau d'évacuation fourni.
- Tuyau souple d'évacuation : longueur maximale 5 m
- Retirer la sûreté de transport du tuyau souple d'évacuation (étrier métallique), à l'arrière de l'appareil.

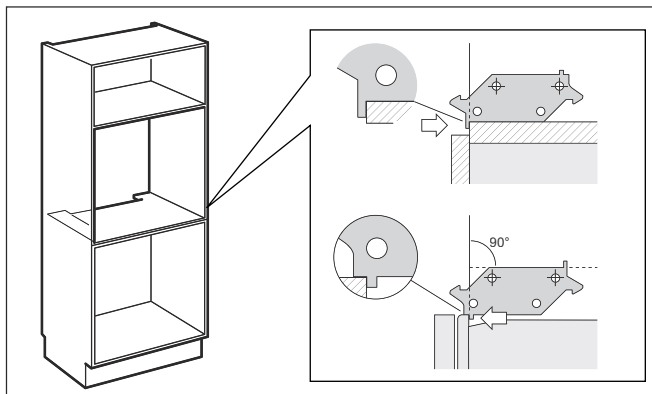
Installation de l'appareil

Remarque : L'appareil est lourd. Pour l'insérer dans la découpe, faite-vous aider par une autre personne.

AVIS : Avant d'installer l'appareil, prendre soin de vérifier la dimension du coffret et les raccordements électriques.

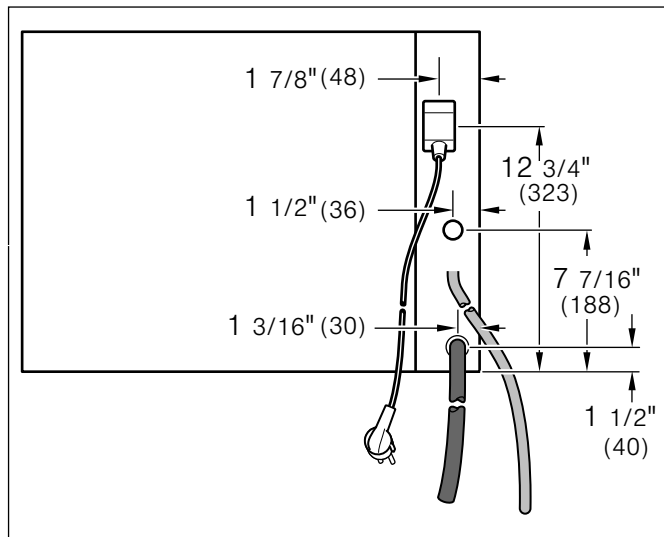
Fixation à l'armoire

La fixation se fait à l'aide de deux vis sur le côté charnière du placard encastrable, de manière latérale et en dessous de la tôle de maintien incluse. Marquer au pointeau le centre des vis, la tôle de maintien doit être positionnée avec précision. Selon les conditions d'installation, tourner la tôle de maintien à 180° sur le fond de séparation ou le tiroir chauffant WS 4.. L'appareil se bloque par encliquetage lors de son insertion dans la tôle de maintien dans l'armoire.

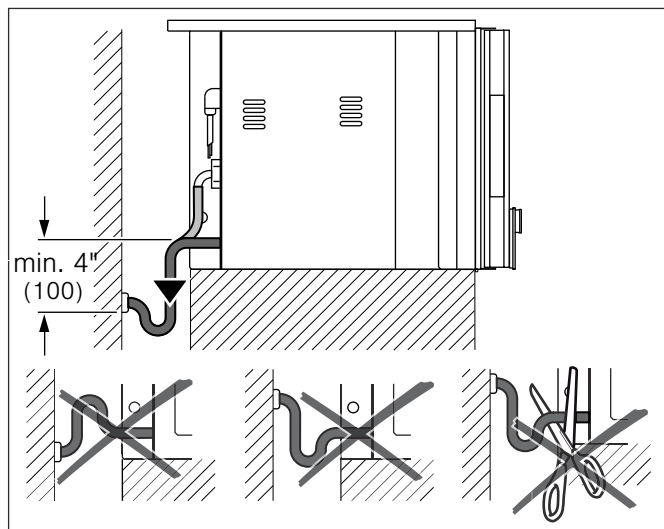


S'il n'y a pas de fond intermédiaire au-dessus de l'appareil, bloquer ce dernier pour l'empêcher de basculer dans le meuble : Fixer deux équerres du commerce des deux côtés du meuble (à $17 \frac{3}{4}$ " (450 mm) de profondeur, et $\frac{3}{16}$ " (5 mm) au-dessus de la hauteur de l'appareil).

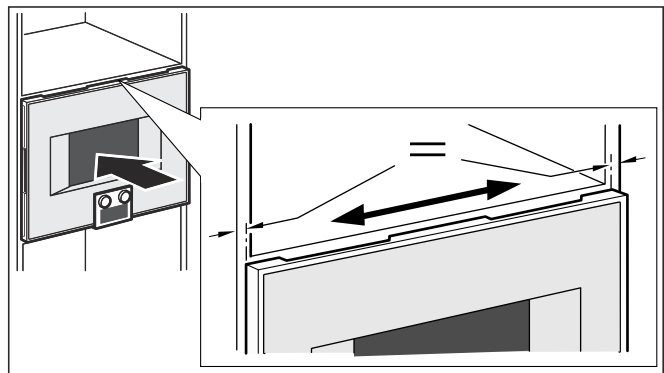
- 1** Insérer complètement l'appareil dans le meuble.
Faire entrer le cordon électrique et les tuyaux souples d'alimentation et d'évacuation du four à vapeur du côté arrière gauche jusqu'aux points de branchement.



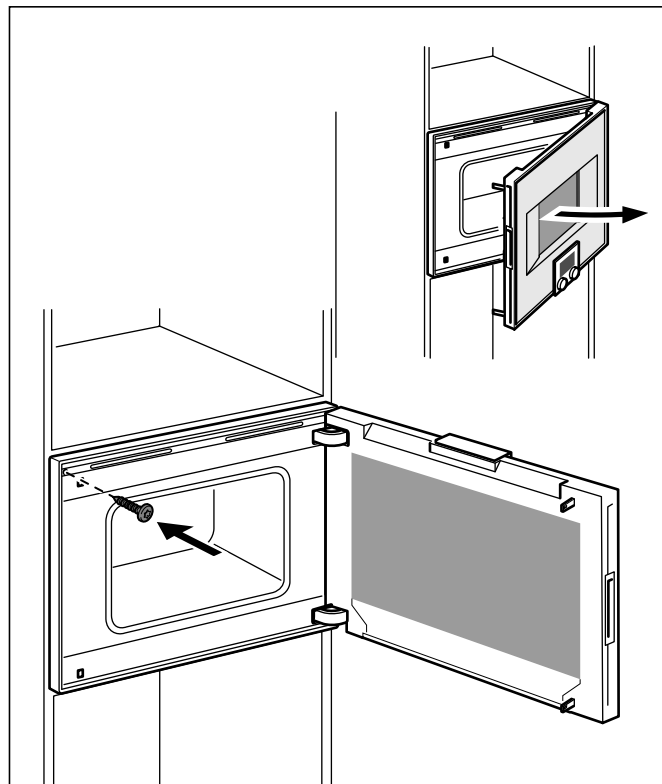
Ne pas couper le cordon électrique et les tuyaux souples, ni les coincer ou les faire passer sur des arêtes vives.



- 2** Centrer l'appareil.
Entre l'appareil et les façades de meubles voisin, il faut laisser un jeu de $\frac{3}{16}$ " (5 mm).

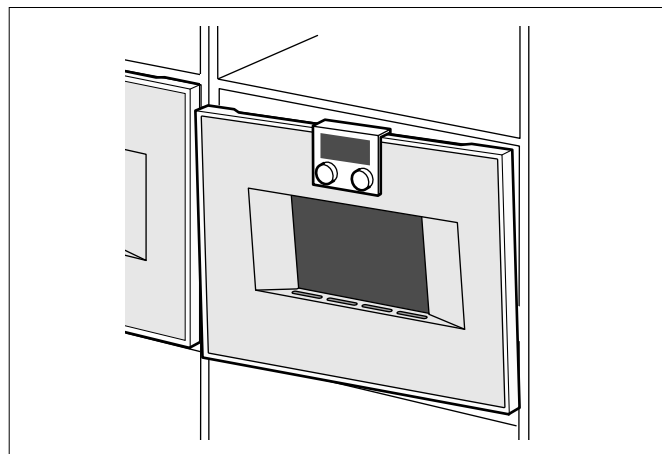


- 3** Ajuster l'appareil à l'horizontale de manière très précise au moyen d'un niveau à bulle.
4 Fixer l'appareil avec la vis fournie. Retirez le verrou de transport de la porte.

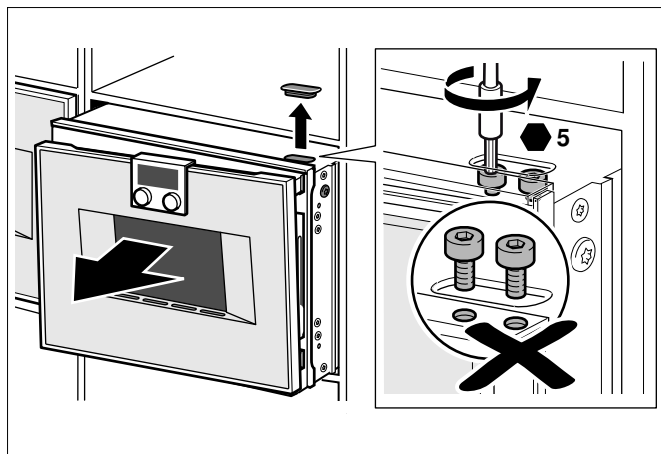


Ajustement de la porte

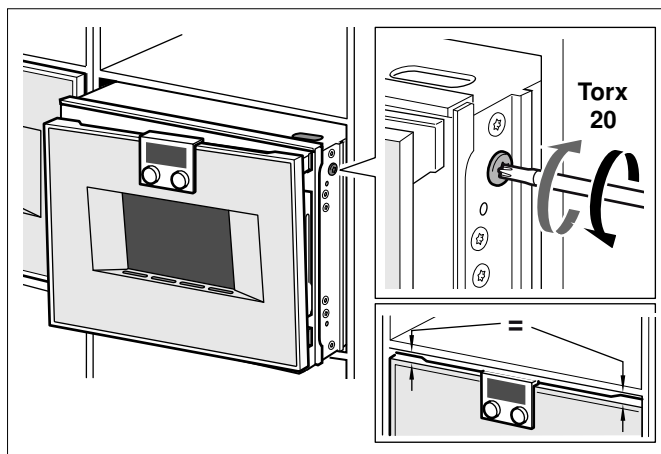
La porte de l'appareil peut être légèrement ajustée pour obtenir un alignement exact.



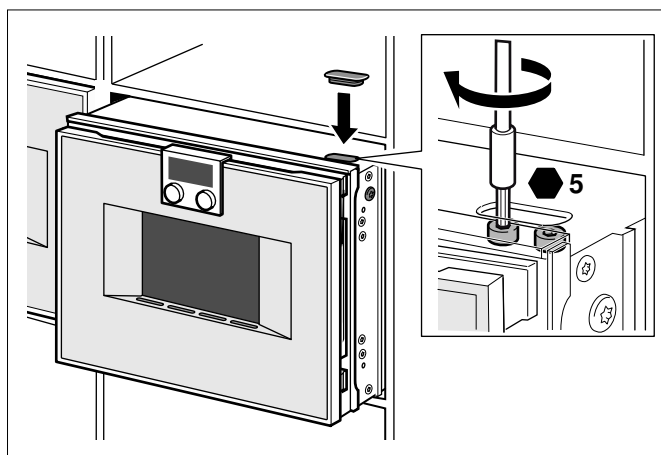
Pour ce faire, extraire légèrement l'appareil de la niche d'encastrement. Une ouverture ovale se trouve sur le côté charnière du dessus de l'appareil. Retirez le capuchon de protection. Desserrez légèrement les vis (Inbus 5 mm), mais ne pas les retirer!



Ajustez la porte sur les vis latérales (Torx 20).



Resserrez les deux vis (Inbus 5 mm). Remplacez le capuchon de protection.



Remarques

- L'orientation de la porte de l'appareil peut être ajustée au niveau de la charnière supérieure, afin

d'obtenir la mesure d'intervalle exacte du bord supérieur de la porte au débit d'air supérieur.

- La porte ne peut pas être ajustée en hauteur.
- La porte de l'appareil est ajustée dans son état de livraison. Il n'est normalement pas nécessaire d'ajuster la porte.

Connexion à trois fils

BO 450/451-610

- 1 Branchez le fil rouge du four au fil d'alimentation électrique rouge (fil chaud).
- 2 Branchez le fil noir du four au fil d'alimentation électrique noir (fil chaud).
- 3 Branchez le fil de mise à la terre jaune/vert du four au fil de mise à la terre de l'alimentation électrique.

Fixez le câble flexible au boîtier de raccordement.

Pour faciliter l'entretien et la réparation, le conduit flexible ne doit pas être raccourci et doit être acheminé de façon à permettre la dépose temporaire du four.

Association avec un four

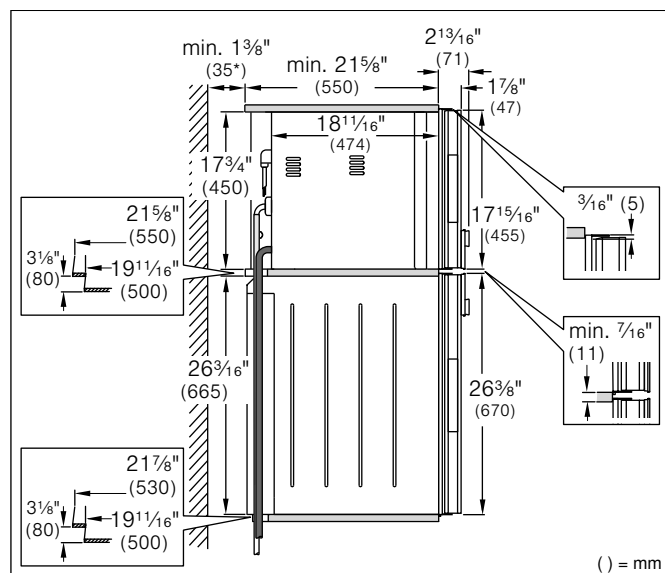
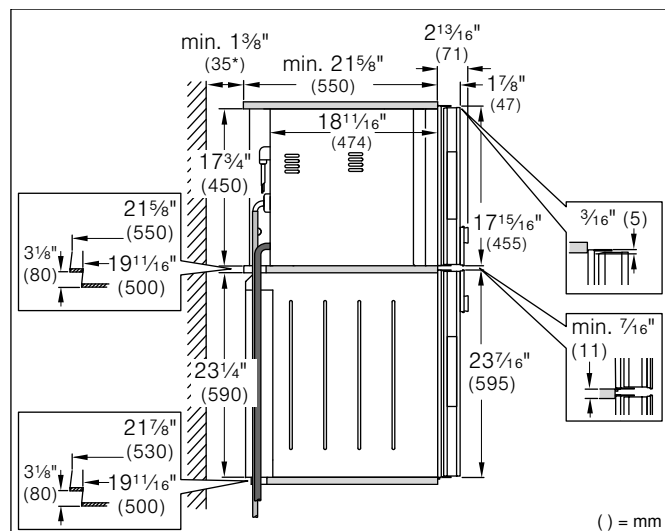
Sur les versions BS 474/475 et BS 484/485 de l'appareil, le panneau de commande est en bas ce qui permet d'installer ces modèles au-dessus d'un four Gaggenau de la série BO 4..

Poser d'abord le four à vapeur, puis le four classique.

Pour une profondeur d'encastrement de 550 mm, positionner les tuyaux souples d'eau et le cordon d'alimentation électrique dans la zone où le boîtier est évidé.

L'arrière des fours BO 4.. comporte un coin coupé. Faire entrer le cordon électrique et les tuyaux souples d'alimentation et d'évacuation du four à vapeur du côté arrière gauche dans le meuble et les faire descendre jusqu'aux points de branchement.

Si les tuyaux souples ne passent pas par le coin arrière gauche du meuble, il faut, au moment de poser l'appareil au-dessus d'un four, avancer le corps du meuble d'au moins 35 mm et installer un panneau latéral ou un cache.



Combinaison avec un tiroir chauffant de largeur 24 po (60 cm)

Monter d'abord le tiroir chauffant WS. Respecter les instructions de montage du tiroir chauffant.

Introduire le four dans le meuble d'encastrement sur le tiroir chauffant. En l'introduisant, ne pas endommager le bandeau du tiroir chauffant.

Combinaison avec un tiroir chauffant de largeur 30" (76 cm)

Encastrement BO/BS (largeur 76 cm) au-dessus du tiroir chauffant WS uniquement avec un faux-plancher indéformable.

Vérification de l'installation

⚠ AVERTISSEMENT

Avant tout raccordement de cordon électrique ou toute mise sous tension, assurez-vous que toutes les commandes sont en position OFF (d'arrêt).

Mettre le disjoncteur en circuit.

Vérifier que les éléments fonctionnent correctement.

Dépose

- 1 Mettre l'appareil hors tension.
- 2 Desserrer les vis de fixation.
- 3 Soulever légèrement puis tirer entièrement l'appareil.

Service après-vente

Si votre appareil doit être réparé, notre service après-vente est à votre disposition. Nous trouvons toujours une solution adaptée, y compris pour éviter les visites inutiles de techniciens.

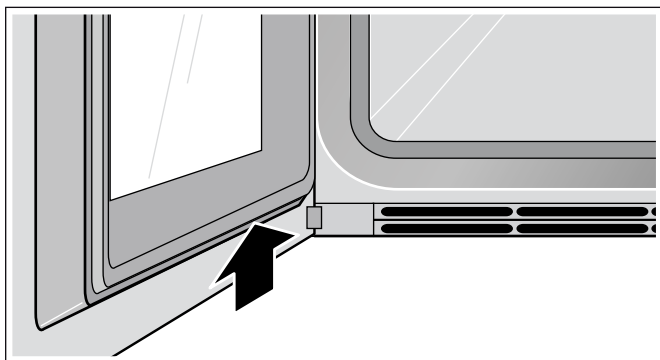
Lors de votre appel, indiquez le numéro du produit (n° E) et le numéro de série (n° FD) afin que nous puissions vous donner une réponse précise. La plaquette d'identification comportant ces numéros se trouve sur le dessous de l'appareil. Pour ne pas avoir à chercher longtemps en cas de besoin, vous pouvez inscrire ici les références de l'appareil et le numéro de téléphone du service après-vente.

N° E

N° FD

Service après-vente ☎

N'oubliez pas qu'en cas de fausse manœuvre, la visite d'un technicien d'après-vente n'est pas gratuite, même pendant la garantie.



Vous trouverez les données de contact pour tous les pays dans l'annuaire ci-joint du service après-vente.

Demande de réparation et conseils en cas de dysfonctionnement

CA 877 442 4436

toll-free

Definiciones de seguridad

ADVERTENCIA

Esto indica que pueden producirse heridas graves o incluso la muerte si no se cumple con esta advertencia.

ATENCION

Esto indica que pueden producirse heridas leves o moderadas si no se cumple con esta advertencia.

AVISO: Esto indica que pueden producirse daños en el aparato o en los bienes si no se cumple con este aviso.

Nota: Esto alerta sobre información o sugerencias importantes.

INSTRUCCIONES DE SEGURIDAD IMPORTANTES

LEA Y CONSERVE ESTAS INSTRUCCIONES

PROTECCIONES IMPORTANTES

CONSERVE ESTAS INSTRUCCIONES.

ADVERTENCIA

Si no sigue la información de este manual exactamente, se puede ocasionar un incendio o una descarga eléctrica que puede causar daños materiales o lesiones personales.

ADVERTENCIA

No reparar, sustituir ni quitar ninguna pieza del electrodoméstico a menos que se recomiende de forma específica en los manuales. Una instalación, servicio o mantenimiento inadecuados pueden causar lesiones o daños materiales. Consultar este manual para recibir ayuda. Todos los demás servicios debe realizarlos un agente autorizado.

Advertencia en virtud de la Proposición 65:

Este producto puede contener un químico que el Estado de California reconoce como potencialmente cancerígeno o causante de daños reproductivos. Por tanto, su producto debe llevar en su embalaje la siguiente etiqueta de conformidad con la legislación de California:

ADVERTENCIA EN VIRTUD DE LA PROPOSICIÓN 65 DEL
ESTADO DE CALIFORNIA:

 **ADVERTENCIA**

Cáncer y daño reproductivo - www.P65Warnings.ca.gov

Seguridad de manejo del electrodoméstico

La unidad es pesada y se requieren al menos dos personas o un equipo adecuado para trasladarla.

No levante el electrodoméstico tomándolo del asa de la puerta.

Las superficies ocultas pueden tener bordes filosos. Proceda con cuidado al intentar tomar el electrodoméstico por la parte trasera o desde abajo.

Códigos y normas de seguridad

Este electrodoméstico cumple con la última versión de una o varias de las siguientes normas:

- CAN/CSA C22.2 No. 61 - Estufas de uso doméstico (Household Cooking Ranges)
- UL 858 - Estufas eléctricas de uso doméstico (Household Electric Ranges)
- CAN/CSA C22.2 N.º 150 - Hornos de microondas (Microwave Ovens)
- UL 923 - Electrodomésticos de cocción por microondas (Microwave Cooking Appliances)
- CSA C22.2 N.º 64 - Electrodomésticos para cocinar y para calentar líquidos de uso doméstico (Household Cooking and Liquid-Heating Appliances)
- UL 1026 - Electrodomésticos para cocinar y para servir alimentos eléctricos de uso doméstico (Electric Household Cooking and Food Serving Appliances)

Es responsabilidad del propietario y del instalador determinar si se aplican otros requisitos o normas en instalaciones específicas.

Seguridad eléctrica

ADVERTENCIA

Antes de enchufar un cable eléctrico o activar el suministro eléctrico, asegurarse de que todos los controles están en la posición OFF.

Si el Código Nacional Eléctrico (o el Código Eléctrico Canadiense) así lo requiere, este electrodoméstico debe instalarse en un circuito derivado por separado.



INSTRUCCIONES DE SEGURIDAD IMPORTANTES

LEA Y CONSERVE ESTAS INSTRUCCIONES

El instalador debe mostrar al propietario la ubicación del disyuntor o el fusible. Márquela para recordarla más fácilmente.

INSTALADOR: DEJE ESTAS INSTRUCCIONES CON EL ELECTRODOMÉSTICO CUANDO HAYA FINALIZADO LA INSTALACIÓN.

IMPORTANTE: CONSERVE ESTAS INSTRUCCIONES PARA USO DEL INSPECTOR DE ELECTRICIDAD LOCAL.

Antes de realizar la instalación, apague la alimentación eléctrica en el panel de servicio. Trabe el panel de servicio para impedir que se encienda accidentalmente la alimentación eléctrica.

Para obtener más información, consulte la placa de datos. Para conocer la ubicación de la placa de datos, consulte la sección "Placa de datos" debajo de "Servicio técnico".

Asegúrese de que el electrodoméstico sea correctamente instalado y conectado a tierra por un técnico calificado. La instalación, las conexiones eléctricas y la conexión a tierra deben cumplir con todos los códigos correspondientes.

Seguridad de los equipos relacionados

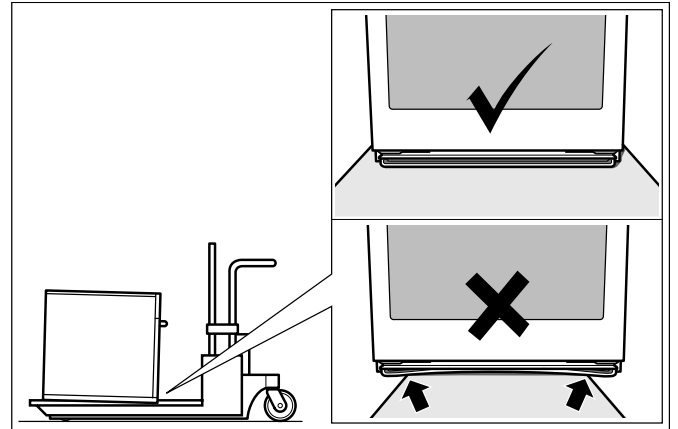
Retire toda la cinta y el embalaje antes de usar el electrodoméstico. Destruya el embalaje después de desembalar el electrodoméstico. Nunca deje que los niños jueguen con el material de embalaje.

Nunca modifique ni altere la construcción del electrodoméstico. Por ejemplo, no retire las patas niveladoras, paneles, cubiertas para cables ni soportes/tornillos antivuelco.

Antes de encender el electrodoméstico, retire cualquier material de embalaje o lámina adhesiva del compartimento de cocción y de la puerta.

Transporte

Para evitar el daño a la abertura del horno, utiliza el método del transporte mostrado en el dibujo abajo.



Antes de empezar

Herramientas y piezas necesarias

- Destornillador con cabeza Phillips
- Taladro y broca de taladro de 1/8 pulg.
- Cinta métrica

Piezas incluidas

- Horno combinado de vapor
- 1 tornillo Torx

Requisitos de electricidad

La toma de corriente debe tener la conexión a tierra adecuada de conformidad con todos los códigos correspondientes.

Indicaciones para planificación

El tope de la puerta no se puede cambiar de lugar.

Distancia desde el cuerpo del mueble hasta la superficie frontal de la puerta: 1.85" (47 mm).

Distancia desde el cuerpo del mueble hasta el canto exterior de la manija de la puerta: 3.7" (94 mm), con la manija superpuesta (accesorio especial).

Tome en cuenta la saliente frontal, incluyendo eventualmente la manija de la puerta, para la abertura de los cajones laterales.

Al planear una solución de esquina, tome en cuenta el ángulo de abertura de la puerta de al menos 90 °.

Sobre este aparato no se debe montar ningún otro aparato eléctrico en el armario.

No montar sobre un lavavajillas el modelo de aparato, que posee el elemento de mando debajo. El vapor que se desprenda del lavavajillas puede dañar el sistema electrónico del aparato.

Se pueden solicitar los siguientes accesorios de instalación

- GZ 010 011: Prolongación de la manguera de entrada y de desagüe (longitud 6.6 ft / 2 m)
- GF 111 700: Filtro descalcificador y anti-sabor

Disponer del sistema descalcificador al conectar el aparato siempre que la dureza del agua supere los 7°dH, con el fin de reducir la aparición de cal en el aparato.

Preparar los muebles empotrables

Los muebles empotrados deben poder resistir una temperatura de hasta 195°F (90°C), y la parte frontal de los muebles adyacentes de hasta 160°F (70°C).

La caja de conexión debe estar situada fuera del agujero para el montaje empotrado.

Realizar los trabajos de corte en el mueble antes de colocar el aparato. Retirar las virutas, ya que el funcionamiento de los componentes eléctricos puede verse afectado.

Fijar los muebles a la pared con una escuadra estándar.

No montar el aparato demasiado alto a fin de poder retirar los accesorios sin problemas.

Dimensiones y requisitos del gabinete

Requisitos generales del gabinete

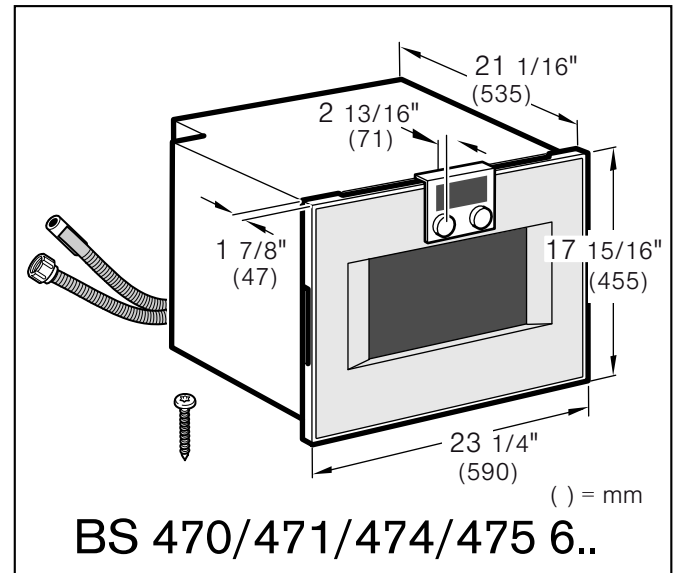
Los requisitos del gabinete varían según el modelo a instalar. Por favor consulte la sección "Dimensión" para los detalles relativos a su modelo en particular.

Todos los modelos requieren:

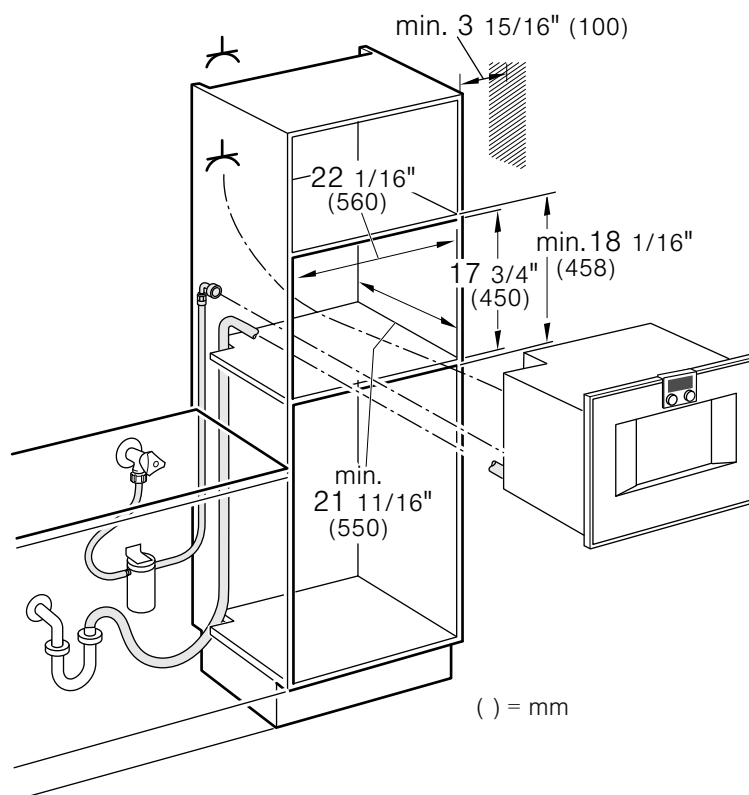
- Un espacio de ¼ pulg. (6.4 mm) entre el costado del horno y una pared adyacente o la puerta del gabinete, cuando está instalado al final de un tramo de gabinetes.
- La base del gabinete debe ser plana y capaz de soportar el peso del aparato cuando esté en uso. Ver el peso adecuado para su modelo en la sección de "Dimensiones" relativas a su modelo en particular.

Dimensiones para unidades montadas a la pared de 24 pulg.

Dimensiones del electrodoméstico



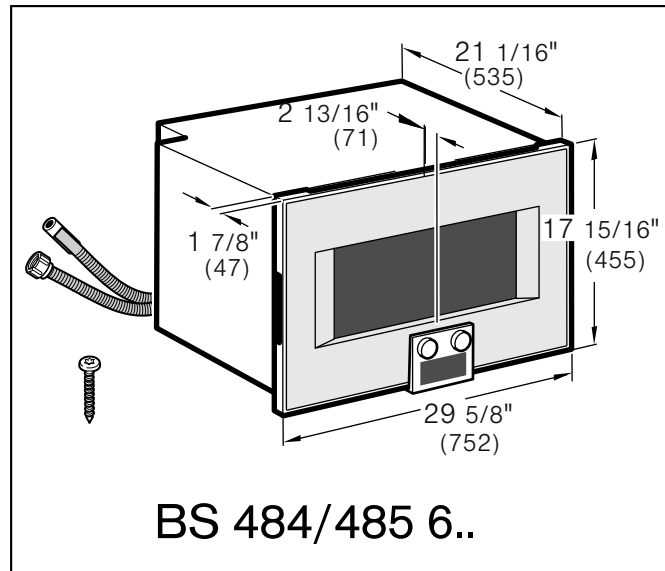
Dimensiones del hueco para el gabinete



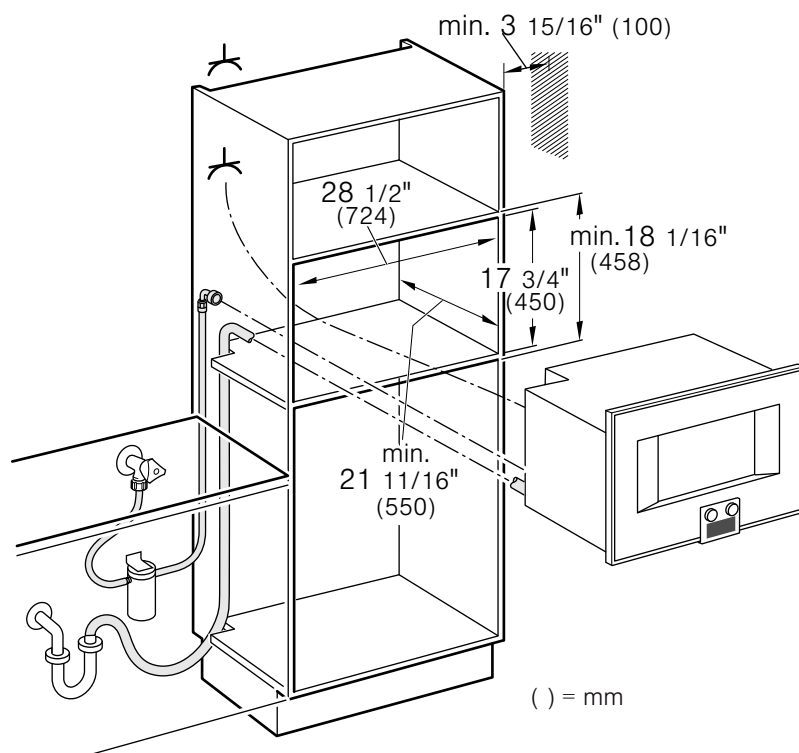
AVISO: La base del gabinete debe ser plana y capaz de sostener un peso de por lo menos 102 lb (46 kg).

Dimensiones para unidades montadas a la pared de 30 pulg.

Dimensiones del electrodoméstico



Dimensiones del hueco para el gabinete



AVISO: La base del gabinete debe ser plana y capaz de sostener un peso de por lo menos 115 lb (52.1 kg).

Quitar el embalaje

AVISO: Para evitar que se dañe su piso, mantenga la unidad en su base de embalaje hasta que esté lista para ser colocada en la abertura del gabinete. No arrastre la unidad por el piso.

Los distintos modelos utilizan distintos materiales de embalaje. Es posible que los soportes reales tengan un aspecto distinto. El soporte permanece en la base de embalaje.

- 1 Corte las correas que se encuentran fuera de la caja.
- 2 Retire la caja de cartón.
- 3 Retire todas las abrazaderas superiores y laterales de cartón y Styrofoam.
- 4 Coloque el horno delante de los gabinetes, en el lugar donde se instalará.

Toma de agua

El electrodoméstico está protegido contra reabsorción (homologación DVGW). No son necesarias las válvulas de conexión con válvulas de retención. Se deben tener en cuenta las disposiciones del proveedor de agua local.

Instalar un sistema descalcificador delante del electrodoméstico en caso de que la dureza del agua supere los 7 °dH. Recomendamos el filtro descalcificador y antisabor GF 111 100 (disponible como accesorio especial).

El electrodoméstico solo debe conectarse a una conexión para toma de agua fría:

- Toma de ¾" (26,4 mm)
- Presión del agua: 2-10 bar
- Mín. 2.6 gal (10 l)/min

Notas

- Montar la manguera de entrada con la escuadra de conexión al electrodoméstico. **Apretar la tuerca de unión de plástico exclusivamente a mano.**
- La toma de agua para la manguera de entrada debe estar siempre accesible (no directamente detrás del electrodoméstico).

Conexión de aguas residuales

Prever un sifón para la conexión de aguas residuales. La conexión al sifón tiene que estar siempre accesible (no directamente detrás del equipo).

Notas importantes sobre la manguera de desagüe

- No coloque la manguera de desagüe en ningún lugar más alta que el borde inferior del equipo .
- Flujo: mín. $\varnothing 1.6''$ (40 mm) diámetro interior
- Conexión de agua de desagüe: mínimo 4" (100 mm) por debajo de la salida del equipo.
- No doble la manguera de desagüe
- No acorte la manguera de desagüe incluida
- Manguera de desagüe: no más de 5.5 yards (5 m) de longitud
- Retire el dispositivo de seguro de transporte de la manguera de desagüe (estribo metálico) de la parte posterior del equipo

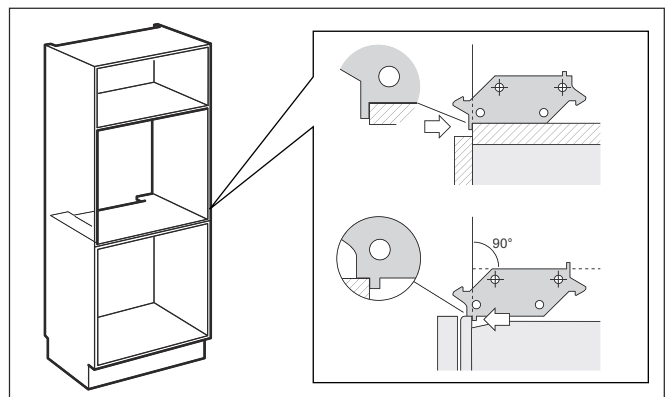
Montaje del electrodoméstico

Nota: El aparato pesa demasiado. Se aconseja dos personas para insertarlo.

AVISO: Antes de instalar el aparato, asegúrese de verificar las dimensiones del gabinete y las conexiones eléctricas.

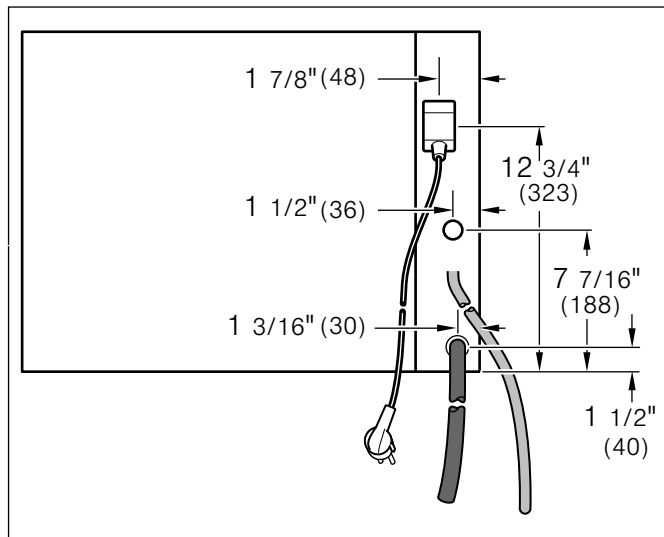
Monte el electrodoméstico en el gabinete

Fijar la chapa de sujeción deseada con dos tornillos en el lateral inferior de la parte articulada del armario empotrado. Marcar el punto central donde irán los tornillos ya que la chapa de sujeción debe colocarse con total exactitud. Según las circunstancias de montaje, girar la chapa de sujeción 180° sobre el fondo intermedio o el cajón calentaplatos WS 4. El aparato se enclava en la chapa de sujeción al introducirlo en el armario.

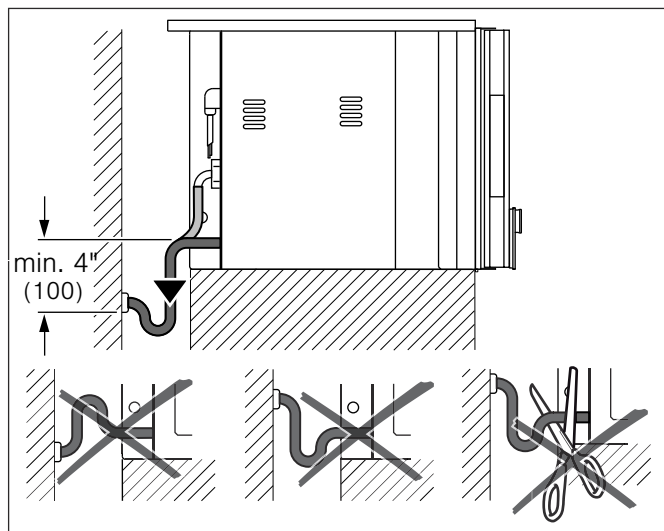


Fijar la unidad en el gabinete contra vuelco si no hay fondo intermedio sobre el equipo: Fije dos soportes disponibles en tiendas en ambos lados del gabinete (en $17 \frac{3}{4}''$ (450 mm) de profundidad $\frac{3}{16}''$ (5 mm) por encima del dispositivo).

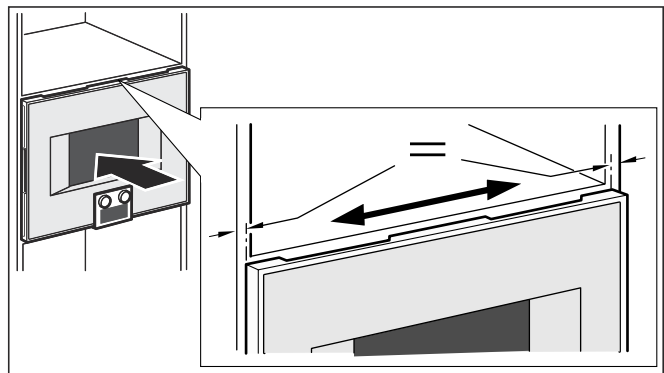
- 1 Inserte el equipo totalmente en el mueble para empotrar. Coloque en sus conexiones el cable de conexión y las mangueras de alimentación de agua y de drenaje del horno de vapor por detrás a la izquierda en el armario para empotrar.



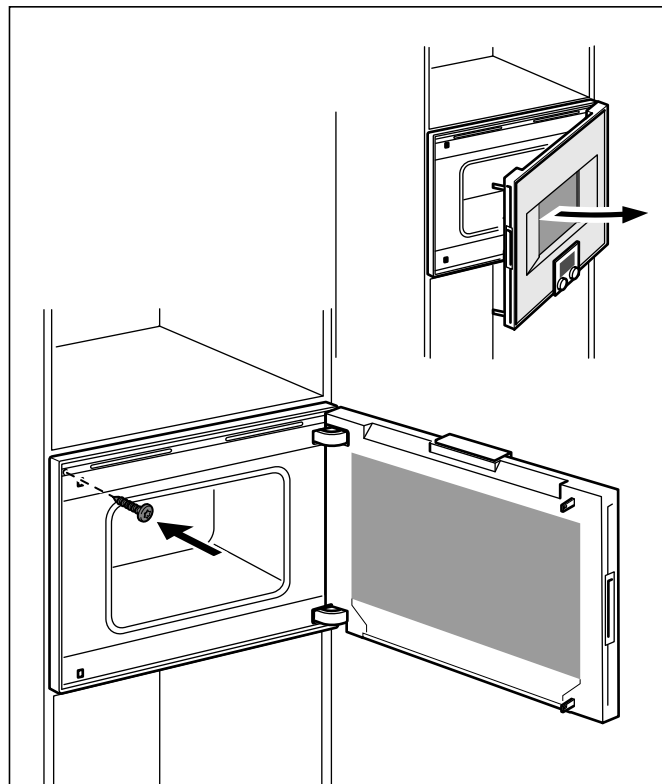
No doble los cables de conexión ni las mangueras, no los aprisione ni los pase por bordes filosos.



- 2 Coloque el equipo centrado. Entre los frentes de los muebles adyacentes y el equipo se requiere un espacio de ventilación de $\frac{3}{16}$ " (5 mm).

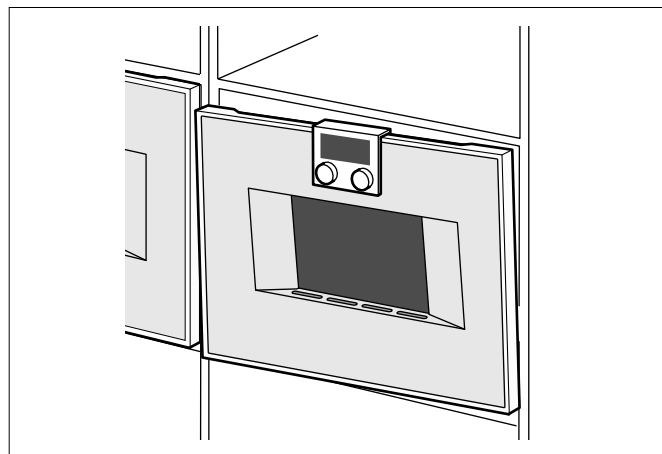


- 3 Alinear horizontalmente el equipo exactamente utilizando el nivel de burbuja.
- 4 Fije el equipo con el tornillo incluido. Retire la traba de transporte de la puerta.

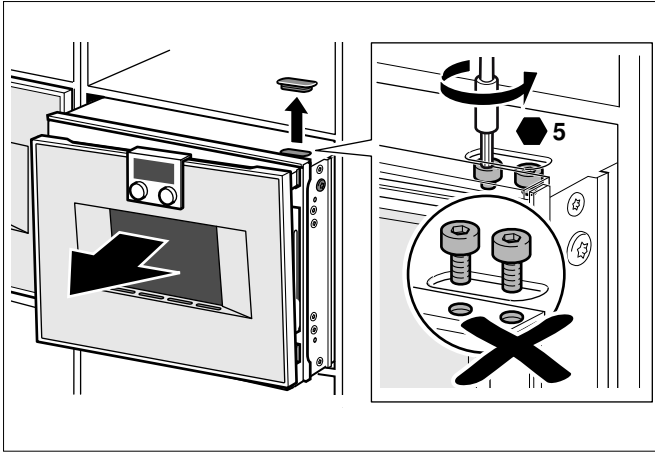


Ajustar la puerta

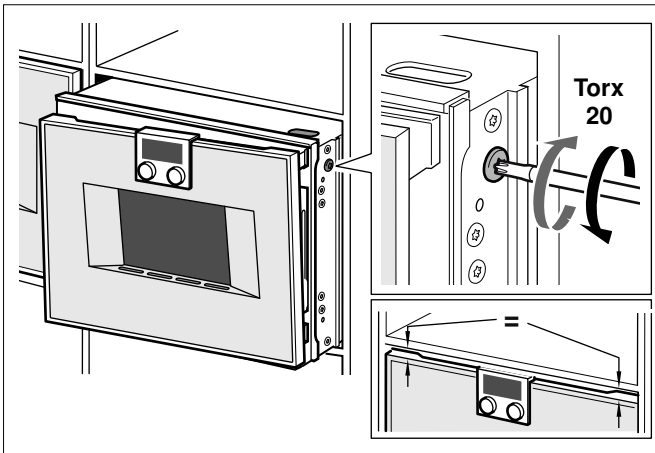
La puerta del electrodoméstico se puede ajustar para alinearla de forma exacta.



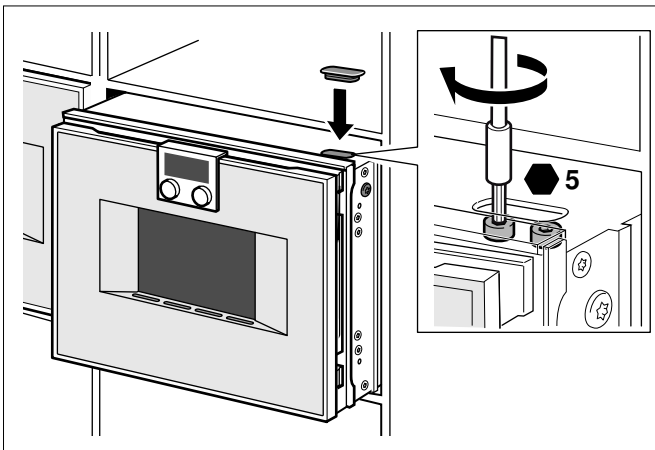
Para ello, extraer el electrodoméstico ligeramente del hueco de encastre. En la parte superior del electrodoméstico, en el lado de las bisagras, se encuentra una abertura ovalada. Retirar la tapa. Aflojar los dos tornillos (Allen 5 mm) sin llegar a desenroscarlos.



Alinear la puerta mediante los tornillos laterales (Torx 20).



Volver a apretar los dos tornillos (Allen 5 mm). Volver a colocar la tapa.



Notas

- La alineación de la puerta del electrodoméstico puede realizarse mediante las bisagras superiores para conseguir un ajuste exacto del canto superior de la puerta al espacio de ventilación superior.
- La altura de la puerta no es ajustable.
- La puerta del electrodoméstico ya viene ajustada de fábrica. Normalmente no es necesario ajustar la puerta.

Conexión a tres cables

BO 450/451-610

- 1 Conecte el cable rojo del horno al cable rojo del suministro eléctrico (cable con corriente).
- 2 Conecte el cable negro del horno al cable negro del suministro eléctrico (cable con corriente).
- 3 Conecte el cable de conexión a tierra amarillo/verde del horno al cable de conexión a tierra desnudo del suministro eléctrico.

Conecte el conducto flexible a la caja de empalme.

Para facilitar las condiciones que permitan realizar un buen servicio técnico, el conducto flexible no debe acortarse y debe enrutarse de manera que permita retirar temporalmente el horno.

Combinación con horno

En las versiones del equipo BS 474/475 y BS 484/485 el panel de operación se encuentra abajo. Por lo tanto, estos modelos se adaptan especialmente para la instalación sobre un horno Gaggenau de la serie BO 4.

Instale primero el horno de vapor y a continuación el horno.

Coloque las mangueras de agua y el cable de conexión en el área del hueco para el gabinete del equipo, tomando en cuenta una profundidad de empotrado de 21 5/8" (550 mm).

La parte posterior de los hornos BO 4. tiene una esquina biselada. Coloque en sus conexiones el cable de conexión y las mangueras de alimentación de agua y de drenaje del horno de vapor por detrás a la izquierda en el armario para empotrar.

Si las mangueras no se pueden colocar en la esquina por detrás a la izquierda en el mueble de empotrado, al instalar el equipo sobre un horno se tiene que mover el cuerpo del armario por lo menos $1\frac{3}{8}$ " (35 mm) hacia adelante, y se debe instalar una cubierta o pantalla lateral.

Combinación con cajón calentador (anchura 30")

Montaje BO/BS (anchura 30" (76 cm)) sobre cajón calentador WS solo con fondo intermedio dimensionalmente estable.

Pruebe la instalación

⚠ ADVERTENCIA

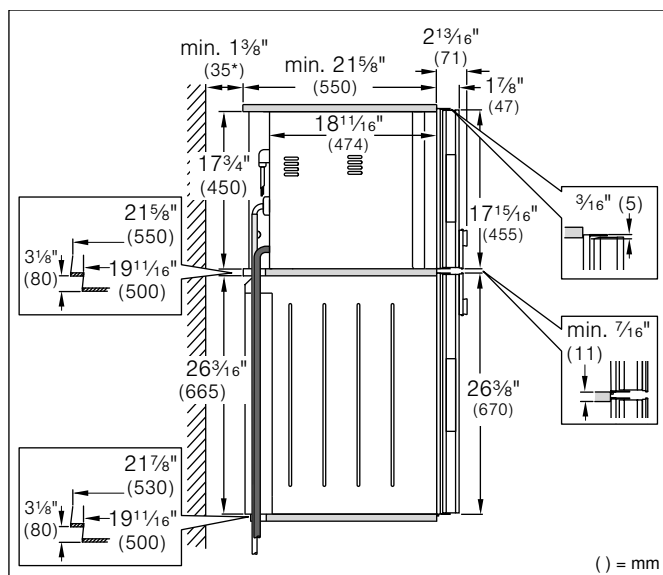
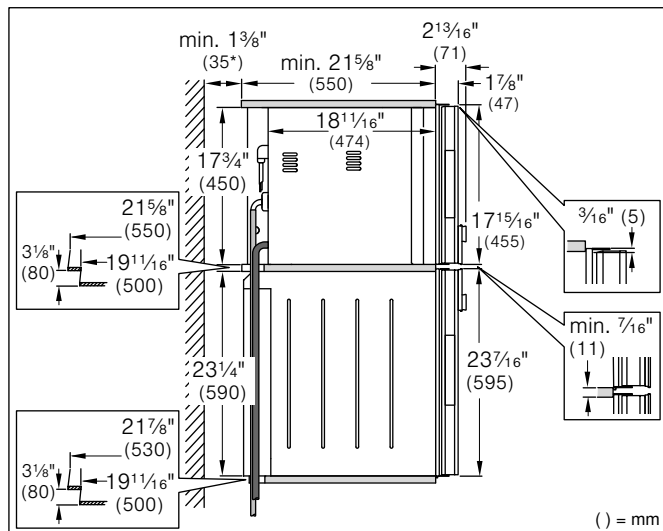
Antes de enchufar un cable eléctrico o activar el suministro eléctrico, asegurarse de que todos los controles están en la posición OFF.

Encienda el disyuntor.

Verifique que los elementos funcionen correctamente.

Desmontaje

- 1 Desconecte la alimentación eléctrica.
- 2 Afloje los tornillos de fijación.
- 3 Eleve ligeramente el equipo y tire de él hacia fuera hasta sacarlo por completo.



Combinación con cajón calentador (anchura 24")

Montar primero el cajón calentador WS. Observar las instrucciones de instalación del cajón calentador.

Introducir el horno en el cajón calentador en el gabinete empotrado. Al introducir el horno, no dañar la placa del cajón calentador.

Servicio de Atención al Cliente

Si su aparato necesita una reparación, nuestro servicio de atención al cliente estará encantado de ayudarle. Siempre encontramos la solución adecuada, incluso para evitar visitas innecesarias de los técnicos.

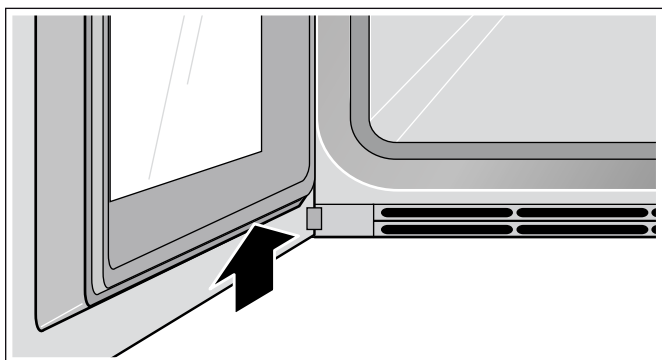
Cuando llame por teléfono, indique la referencia del producto (Nº E) y el número de fabricación (Nº FD) para que podamos ofrecerle un servicio cualificado. La placa de identificación con los números correspondientes los encontrará en la parte inferior del aparato. Para evitar tener que buscar los datos de su aparato cuando los precise, es aconsejable anotarlos aquí conjuntamente con el número de teléfono del Servicio de atención al cliente.

Nº E.

Nº FD.

Servicio de atención al cliente ☎

Tenga en cuenta que la visita del técnico del servicio de atención al cliente no es gratuito en caso de que el mal funcionamiento sea debido a un manejo incorrecto del aparato.



Las señas de las delegaciones internacionales figuran en la lista adjunta de centros y delegaciones del Servicio de Asistencia Técnica Oficial.

Solicitud de reparación y asesoramiento en caso de averías

US 877 442 4436
toll-free

Gaggenau

BSH Home Appliance Corporation
1901 Main Street, Suite 600
Irvine, CA 92614
+1-877-442-4436

www.gaggenau.com/us

© 2018 BSH Home Appliances

Gaggenau Hausgeräte GmbH

Carl-Wery-Straße 34
81739 München
GERMANY

GAGGENAU

