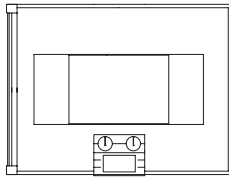


**New 200 Series Built-in
Combination Steam and
Convection Oven**
Metal behind glass
Water connection
Width 24" (60 cm)



Controls at the bottom

Right-hinged
BS 270-610*
**Stainless steel-backed
full glass door**
BS 270-630*
aluminum-backed full glass door

Left-hinged
BS 271-610*
**Stainless steel-backed
full glass door**
BS 271-630*
aluminum-backed full glass door

* Available 3rd quarter 2007.

Included accessories:

One stainless steel unperforated pan.
One stainless steel perforated pan.
One wire rack.
One water inlet hose.
One outlet hose on the appliance, interior diameter 13/16" (the water connection is the same as for the dishwasher).
Core temperature sensor.
Pressure regulator, shipped with connection sets, which accommodates water pressure from 29 psi to 87 psi. If incoming water pressure exceeds 87 psi, you must order DR 220-010 (see below) to reduce water pressure.

BS 270/271-...

– **Stainless steel or aluminum-backed full glass door** with panoramic view.
– **Cooking with steam and without pressure at humidity levels from 0 to 100% and temperatures up to 450°F. With core temperature sensor.** Professional cooking technology for the home.
– **Direct water connection with inlet and outlet** – for unlimited water supply.

Steaming without pressure (100% humidity, 212°F).
Convection from 85°F – 450°F at variable humidity levels of 0%, 30%, 60%, 80% or 100%.
Cooking modes: combi-steaming, steam baking, juice extraction, low temperature steaming, low temperature cooking.
Refreshing.
Defrosting.
Proofing.
Electronic temperature control.

Net volume 1.7 cu.ft.

LCD function display with digital clock.
Timer functions: cooking time, shut off time, short-term timer, stop watch, long-term timer.
Rotary knobs and touch key operation.

Saves up to 6 memory recipes (incl. core temperature sensor)
Fresh steam system with water inlet and outlet.
Steam evacuation.
Core temperature sensor with automatic shut off.
"Thermo-Test" actual temperature display.
Misting.
Automatic boiling point detection.
Menu settings with clear text display.
60 W halogen light on the side.
Hygienic stainless steel cooking interior.
Four rack levels.
Child lock.
Safety lock.
Side-opening door opens up to 180° angle.
Cooled housing with temperature protection.

Cleaning program.
Drying program.
Grease filter in front of convection fan.

Optional accessories:	KB 220-000 Additional stainless steel unperforated pan, 1½" deep
	KB 220-324 Additional stainless steel perforated pan, 1½" deep
	GR 220-046 Additional wire rack.
	KB 220-114 Stainless steel unperforated pan, 1½" deep half tray size
	KB 220-124 Stainless steel perforated pan, 1½" deep half tray size

Additional accessories on page 42 – 43.

Planning notes:

Door hinge not reversible.

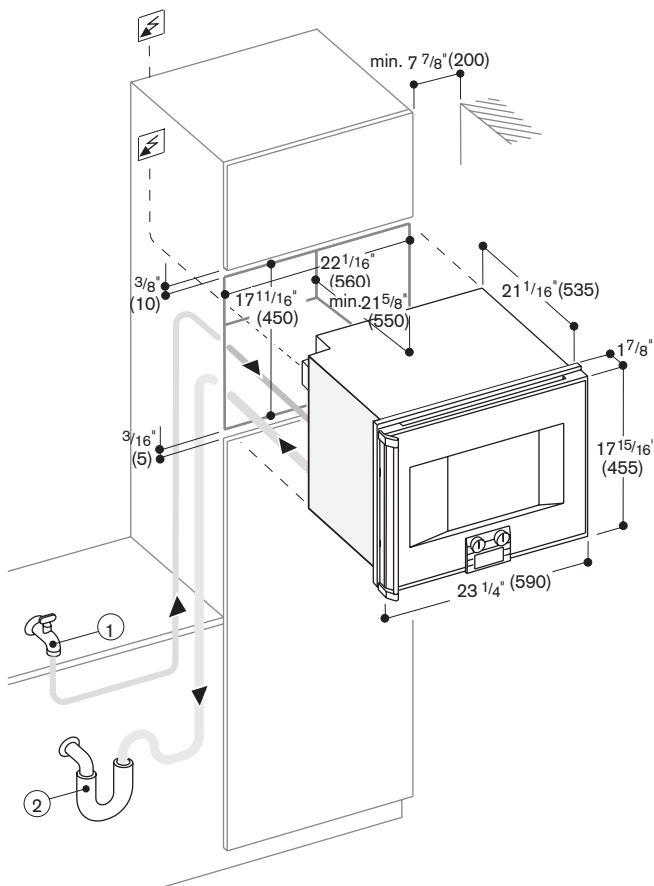
At no point may the drain hose be laid higher than the bottom edge of the appliance.
The outlet hose must also lie at least 4" lower than the appliance drain (see "waste water" drawing).
The outlet hose must not be longer than a maximum of 17'.
The water connection (1) for the inlet hose must always be accessible and must not be located directly behind the appliance.
The connection of the outlet hose to the siphon (2) must not be directly behind the appliance and should be accessible.
If the water hardness exceeds 7° dH, a water softening system must be installed when connecting the appliance (=ion exchanger water filter) (Please contact your plumber for detail.)
The front of the appliance extends 1/8" from the cabinet front.
The outer edge of the door handle extends 3 1/16" from the cabinet front.
When planning a corner solution, pay attention to the 90° door opening angle.
Consider the overhang, incl. the door handle, when planning to open drawers next to the appliance. Plan a gap of at least 3/16" between the appliance and adjacent cabinets. To achieve the 2 1/8" installation depth, the hoses and connecting cable needs to follow the slanted edge on the lower left hand corner of the housing and then be led down and up, respectively. The plug needs to be planned outside of the niche.
4' power cable (hardware required)
Cold water inlet 3/4"
Supplied drain hose ø = 1"
Connect Supplied drain hose to a 2"ø house drain pipe.

Rating:

Total rating 2.9 kW.
Waste water outlet ø 1 1/8".

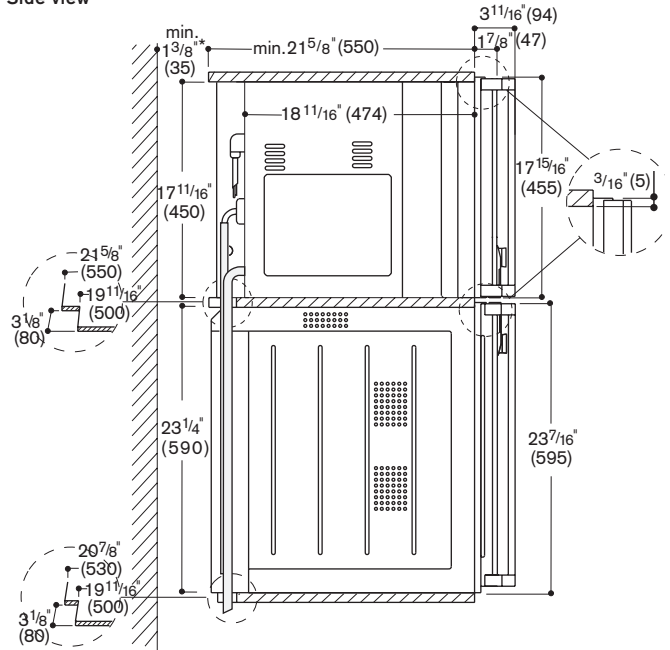
208/220-240V/60Hz
Total Amps: 16 or 2 x 10 Amps
Cold water connection,
(no hot water connection).

Installation accessories:	GZ 010-011 Extension for inlet and outlet (78" long).
	DR 220-010 Pressure regulator 3/4" connection for water pressure from 87 psi to 145 psi.



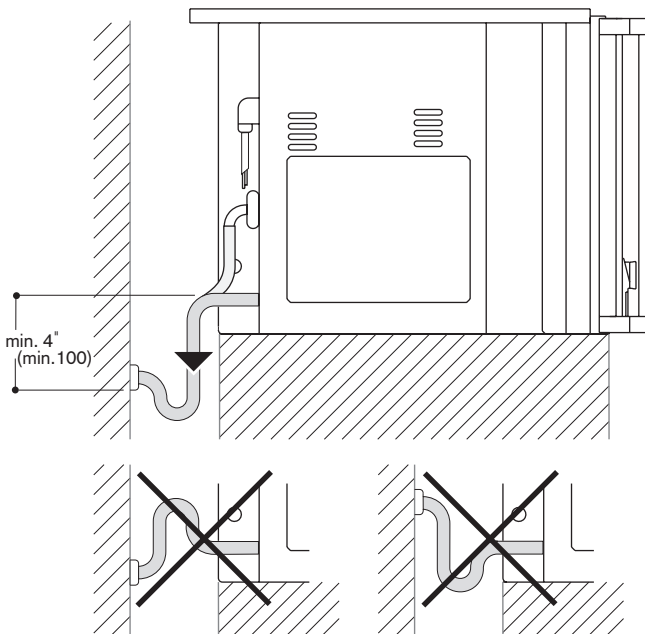
- (1) Water connection
- (2) Connecting piece

Waste water
Installation BS 270 above BO250 single oven,
Side view

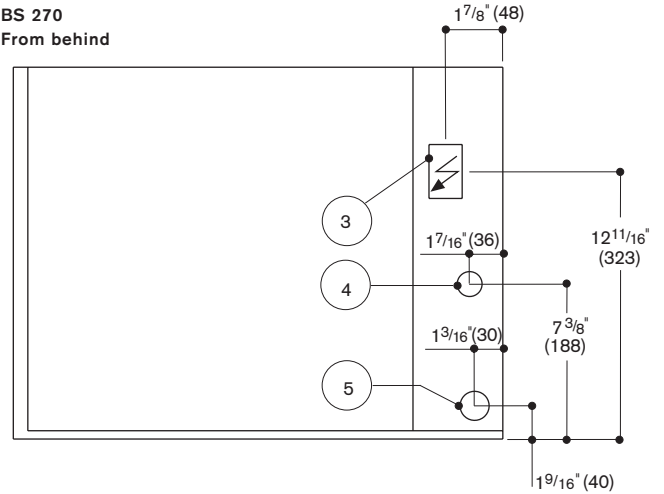


* In case the hoses cannot follow the slanted edge of the housing when the unit is being installed above an oven (BO250), the cabinet carcass must be shifted forward by 1 3/8", and a cladding or blanking piece inserted at the side.

Waste water



BS 270
From behind



- (3) Fuse box
- (4) Cold water connection
- (5) Water outlet