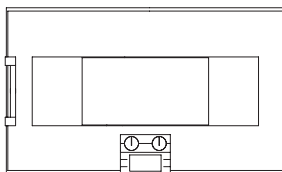


**200 Series Combi-Steam Oven**

With water tank

Width 30" (76 cm)



**Right-hinged**

BS 260-610\*

Stainless steel-backed  
full glass door

BS 260-630\*

aluminum-backed full glass door

**Left-hinged**

BS 261-610\*

Stainless steel-backed  
full glass door

BS 261-630\*

aluminum-backed full glass door

\* Available 3<sup>rd</sup> quarter 2007.

**Included accessories:**

- One core temperature probe.
- One stainless steel cooking insert GN 2/3, unperforated and 40 mm deep.
- One stainless steel cooking insert GN 2/3, perforated and 40 mm deep.
- One wire rack.

**BS 260/261-...**

- An extra wide 30" for combination with BO 280 single oven.
- Cooking with steam and without pressure at humidity levels from 0 to 100% and temperatures up to 450°F. With core temperature sensor. Professional cooking technology for the home.
- No water connection necessary. Suitable for easy integration into existing kitchens.

Steaming without pressure (100% humidity, 212°F).  
Convection from 85°F to 450°F at variable humidity levels of 0%, 30%, 60%, 80% or 100%.  
Cooking modes: combi-steaming, steam baking, juice extraction, low temperature steaming, low temperature cooking.  
Refreshing.  
Defrosting.  
Proofing.  
Electronic temperature control.

Net volume 1.5 cu.ft.

LCD function display with digital clock.  
Timer functions: cooking time, shut off time, short-term timer, stop watch, long-term timer.  
Rotary knobs and touch key operation.

Removable 1.4 quarts (1.3 liter) water tank.  
Water level warning.  
Core temperature sensor with automatic shut off.  
"Thermo-Test" actual temperature display.  
Automatic boiling point detection.  
Menu settings .  
60 W halogen light on the side.  
Hygienic stainless steel cooking interior.  
Four rack levels.  
Child lock.  
Safety lock.  
Side-opening door opens up to 180° angle.  
Cooled housing with temperature protection.

Cleaning program.  
Drying program.  
Descaling program.  
Grease filter in front of convection fan.

**Optional accessories:**

- KB 220-000** Additional stainless steel cooking insert unperforated, 1 1/2" deep.
- KB 220-324** Additional stainless steel cooking insert perforated, 1 1/2" deep.
- GR 220-046** Additional wire rack.

**KB 220-114** Stainless steel cooking insert, unperforated, 1 1/2" deep, half tray size.

**KB 220-124** Stainless steel cooking insert, perforated, 1 1/2" deep, half tray size.

Additional accessories on page 42.

**Planning notes:**

**Door hinge not reversible.**

The front of the appliance extends 1 7/8" from the furniture cavity.  
The outer edge of the door handle extends 3 11/16" from the cabinet front.

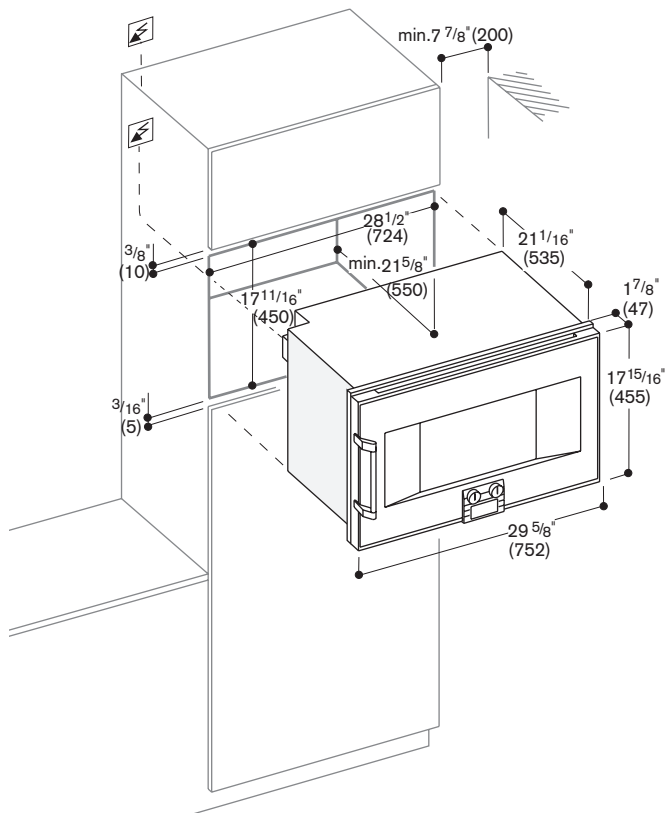
When planning a corner solution, pay attention to the 90° door opening angle.

Consider the overhang, incl. the door handle, when planning to open drawers next to the appliance.

Plan a gap of at least 3/16" between the appliance and adjacent cabinets. To achieve the 21 5/8" installation depth, the connecting cable needs to follow the slanted edge on the lower left hand corner of the housing and then be led up. The power outlet needs to be planned outside of the niche. No drainage needed.

**Rating:**

**Total connected load 1.95 kW.**  
**comes with 47" connecting cable.**  
**208/220-240V/60Hz**  
**9 Amps**



Numbers indicated inside parenthesis ( ) = mm