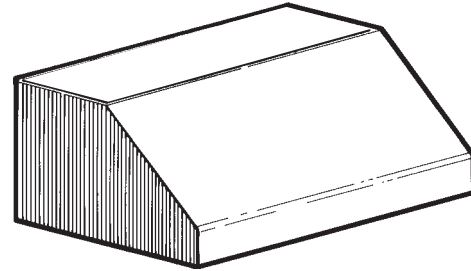


RANGEMASTER[®]

RM60000 SERIES

RANGE HOOD



Provides high ventilation and durable construction to meet the needs of professional-quality residential cooktops.

A complete installation requires several optional components. Refer to page 2 when planning your installation

FEATURES

HOOD:

- Widths - 30" to 72" in 6" increments
- Finishes - Stainless Steel, White, and Black appliance colors
- Appliance colors in 54", 60", 66" & 72" widths are Special Orders
- Grease filters are dishwasher safe
- Dual food warming lamps (BR40 Size, 250W, Infrared - purchase separately)
- Three-level cooktop lighting (Uses three, 50W, PAR 20 halogen lamps - purchase separately)
- Solid-State, infinite speed blower control with speed memory
- Exclusive, Broan Heat Sentry™ turns blower ON to HIGH speed when excess heat is detected

BAFFLE FILTER KIT:

RBF Series (Optional)

- Available for all hood widths

BACKSPLASH:

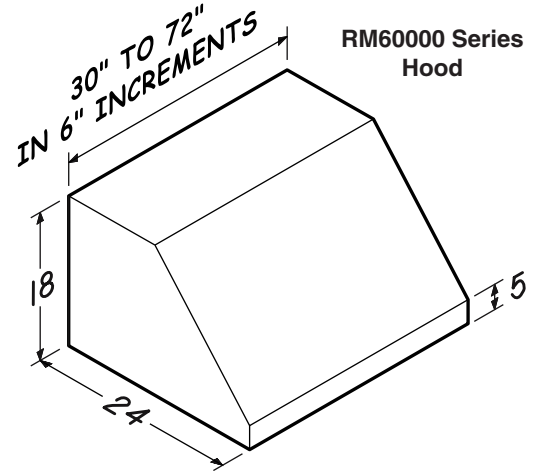
RMP Series (Optional)

- Widths - 30" to 72" in 6" increments
- Stainless Steel construction - protects back wall and wipes clean easily
- Two, dual-position food warming / condiment storage shelves

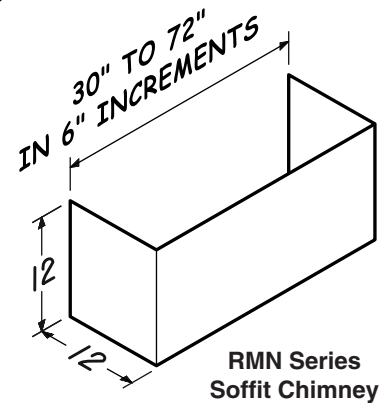
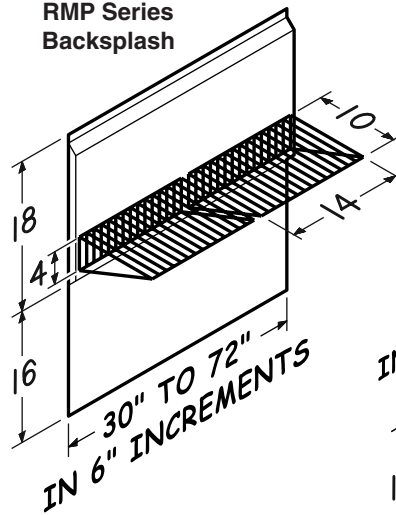
SOFFIT CHIMNEY:

RMN Series (Optional)

- Widths - 30" to 72" in 6" increments
- Finishes - Stainless Steel, White, and Black appliance colors
- Appliance colors in 54", 60", 66" and 72" widths are Special Orders
- Recommended for use when installation location has no soffit



RMP Series Backsplash

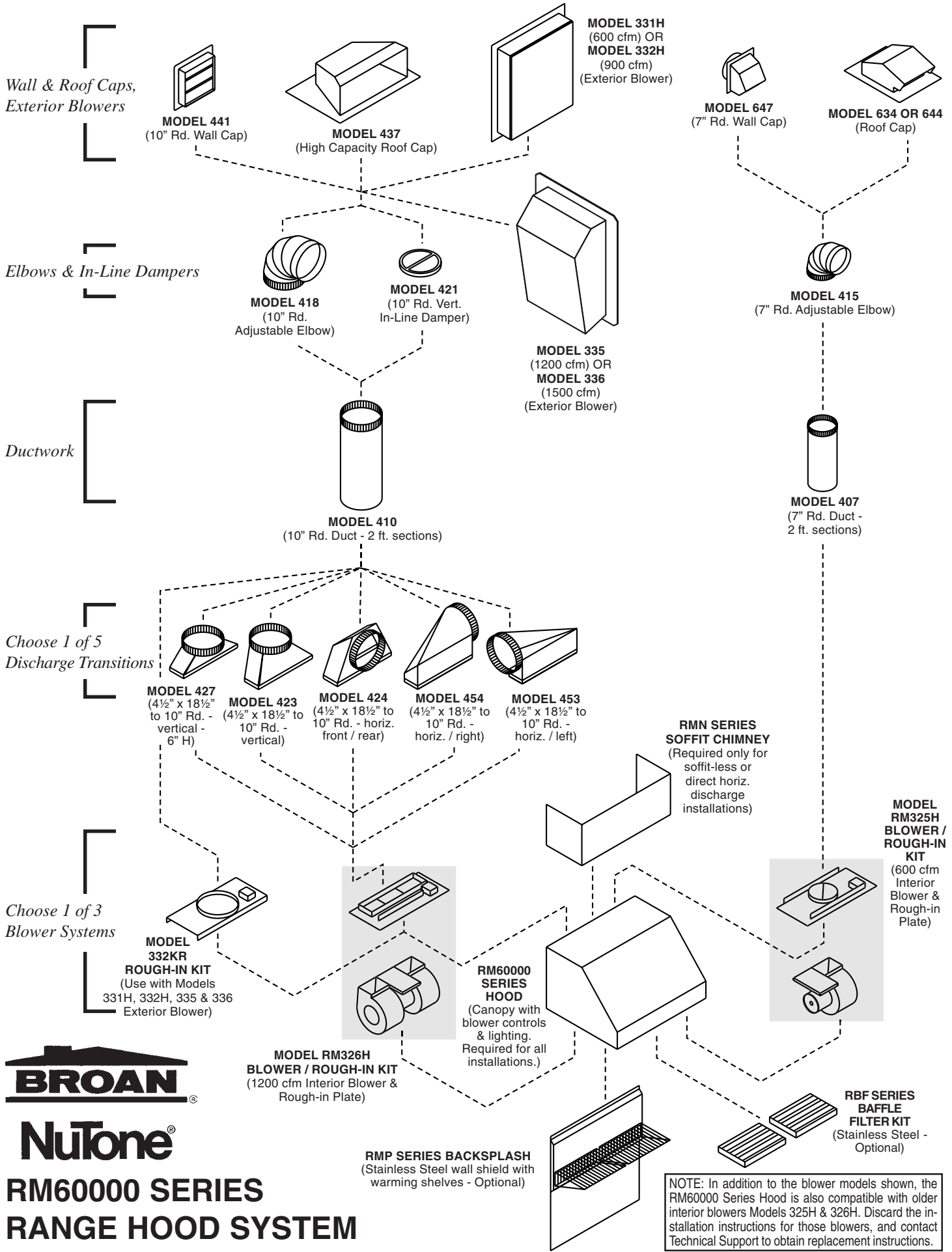


Broan-NuTone LLC, 926 West State Street, Hartford, WI 53027 (1-800-637-1453)

NuTone, Inc., 4820 Red Bank Road, Cincinnati, OH 45227 (1-800-543-8687)

Broan-NuTone Canada, Inc., 1140 Tristar Drive, Mississauga, Ontario L5T 1H9 (1-888-882-7626)

REFERENCE	QTY.	REMARKS	Project
			Location
			Architect
			Engineer
			Contractor
			Submitted By Date



RM6000 SERIES RANGE HOOD SYSTEM

NOTE: In addition to the blower models shown, the RM6000 Series Hood is also compatible with older interior blowers Models 325H & 326H. Discard the installation instructions for those blowers, and contact Technical Support to obtain replacement instructions.