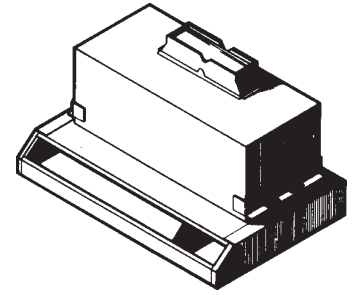




MODEL 103023 WOOD HOOD KIT



READ AND SAVE THESE INSTRUCTIONS

WARNING

TO REDUCE THE RISK OF FIRE, ELECTRIC SHOCK, OR INJURY TO PERSONS, OBSERVE THE FOLLOWING:

1. Use this unit only in the manner intended by the manufacturer. If you have questions, contact the manufacturer at the address or telephone number listed in the warranty.
2. Before servicing or cleaning unit, switch power off at service panel and lock the service disconnecting means to prevent power from being switched on accidentally. When the service disconnecting means cannot be locked, securely fasten a prominent warning device, such as a tag, to the service panel.
3. Installation work and electrical wiring must be done by a qualified person(s) in accordance with all applicable codes and standards, including fire-rated construction codes and standards.
4. Sufficient air is needed for proper combustion and exhausting of gases through the flue (chimney) of fuel burning equipment to prevent backdrafting. Follow the heating equipment manufacturer's guideline and safety standards such as those published by the National Fire Protection Association (NFPA), and the American Society of Heating, Refrigeration and Air Conditioning Engineers (ASHRAE), and the local code authorities.
5. When cutting or drilling into wall or ceiling, do not damage electrical wiring and other hidden utilities.
6. Ducted fans must always be vented to the outdoors.
7. Do not use this unit with an additional speed control device.
8. To reduce the risk of fire, use only metal ductwork.
9. This unit must be grounded.

TO REDUCE THE RISK OF A RANGE TOP GREASE FIRE:

1. Never leave surface units unattended at high settings. Boilovers cause smoking and greasy spillovers that may ignite.
2. Always turn hood ON when cooking at high heat or when cooking flaming foods.
3. Clean ventilating fans frequently. Grease should not be allowed to accumulate on fan or filter.
4. Use proper pan size. Always use cookware appropriate for the size of the surface element.

WARNING

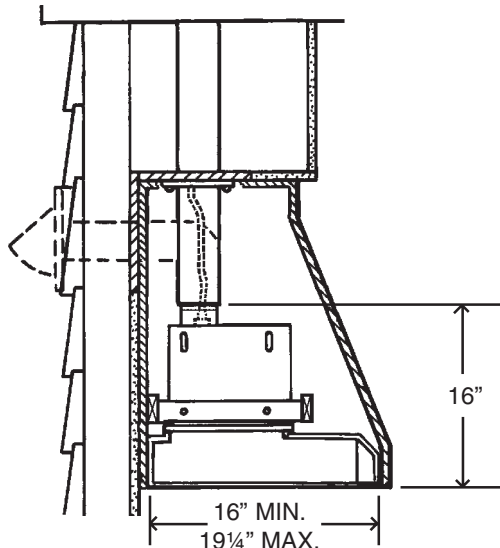
TO REDUCE THE RISK OF INJURY TO PERSONS IN THE EVENT OF A RANGE TOP GREASE FIRE, OBSERVE THE FOLLOWING:*

1. SMOTHER FLAMES with a close-fitting lid, cookie sheet, or metal tray, then turn off the burner. BE CAREFUL TO PREVENT BURNS. If the flames do not go out immediately, EVACUATE AND CALL THE FIRE DEPARTMENT.
2. NEVER PICK UP A FLAMING PAN — You may be burned.
3. DO NOT USE WATER, including wet dishcloths or towels - violent steam explosion will result.
4. Use an extinguisher ONLY if:
 - A. You know you have a Class ABC extinguisher and you already know how to operate it.
 - B. The fire is small and contained in the area where it started.
 - C. The fire department is being called.
 - D. You can fight the fire with your back to an exit.

* Based on "Kitchen Fire Safety Tips" published by NFPA.

CAUTION

1. For general ventilating use only. Do not use to exhaust hazardous or explosive materials and vapors.
2. To avoid motor bearing damage and noisy and/or unbalanced impellers, keep drywall spray, construction dust, etc. off power unit.
3. For best capture of cooking impurities, your range hood should be mounted so that the bottom of the hood is 18-24" above the cooking surface.
4. Please read specification label on product for further information and requirements.



This wood hood kit can be easily installed by following three basic steps:

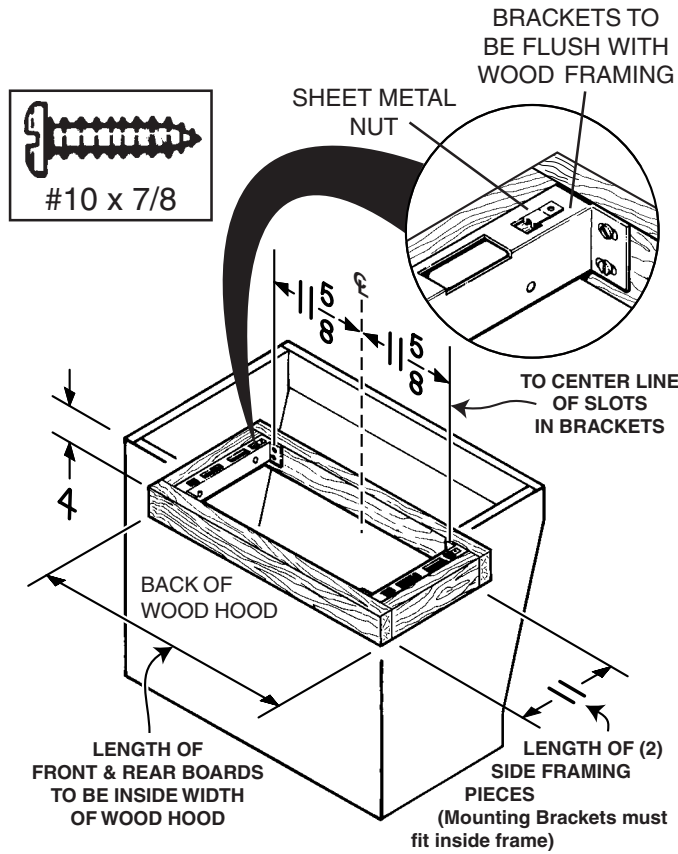
- Install a wood mounting frame in hood
- Install the hood kit
- Mount the hood in place on the wall

This wood hood kit requires the previous installation of Broan Model 103123 Rough-in Kit including:

- 120 VAC electrical wiring
- 3/4" x 10" metal ductwork (extending down to 16" above bottom of wood hood)

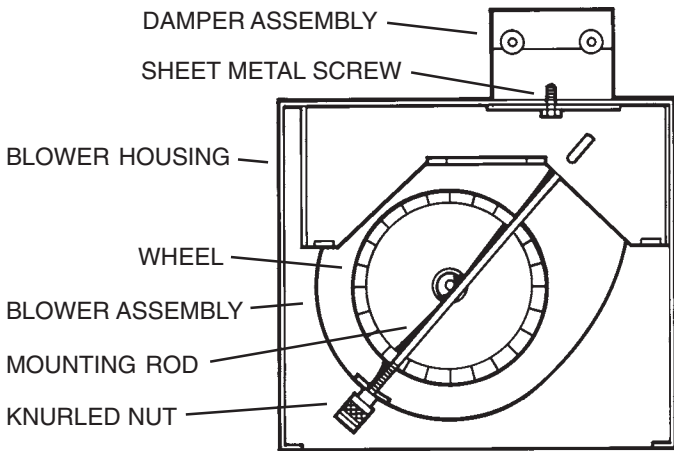
**INSTALLER: Leave this manual with the homeowner.
HOMEOWNER: Use and care information on page 5.**

INSTALL MOUNTING FRAME



1. Construct a wood frame which will fit the hood and allow the ductwork to line up with damper assembly. Attach the mounting brackets with the sheet metal nuts toward the hood front. Secure frame to hood using dimensions shown.

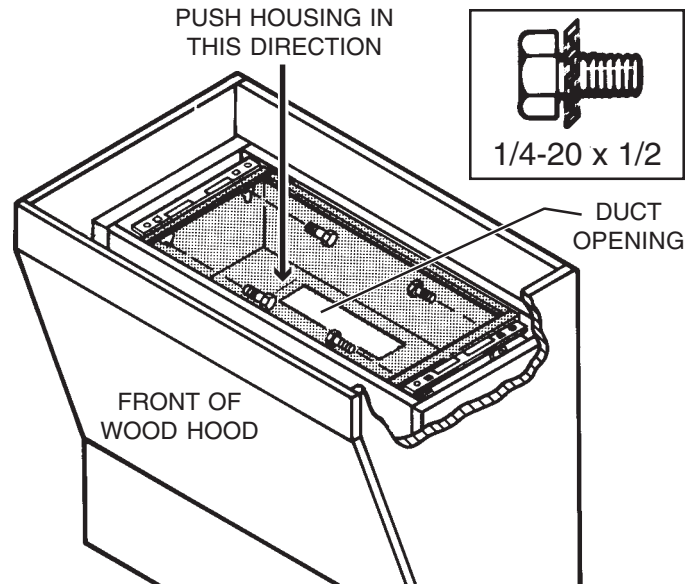
MOUNT BLOWER HOUSING



2. Remove the blower assembly by unplugging it, loosening the knurled nuts and pivoting mounting rods away from blower.
3. Remove the damper assembly by unscrewing the two (2) sheet metal screws and sliding it back through the housing.

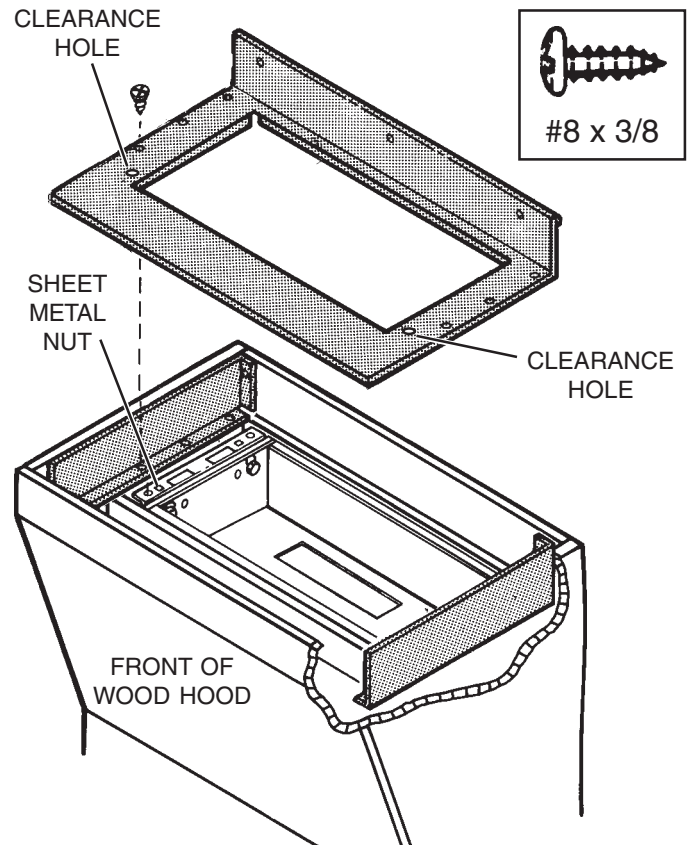
MOUNT BLOWER HOUSING

(continued)



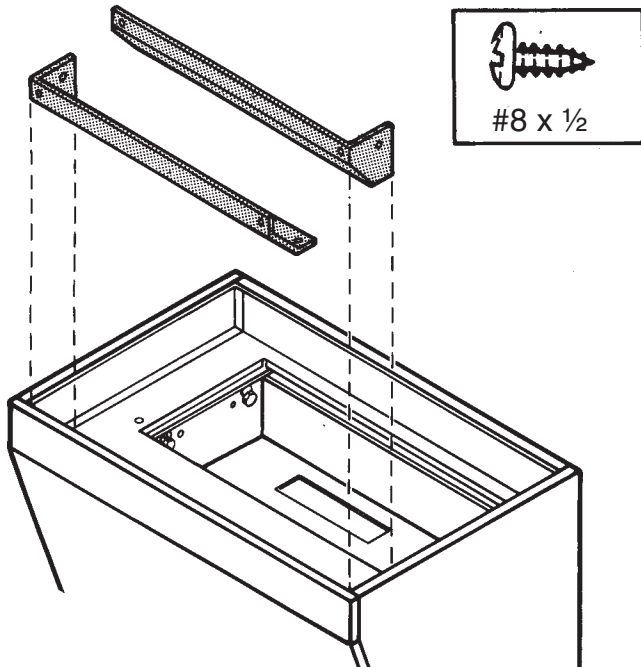
4. Fasten housing to mounting brackets with four (4) screws. Push housing toward top of wood hood, as far as mounting slots will allow. **Make sure duct opening is toward back of hood.**

INSTALL LINER



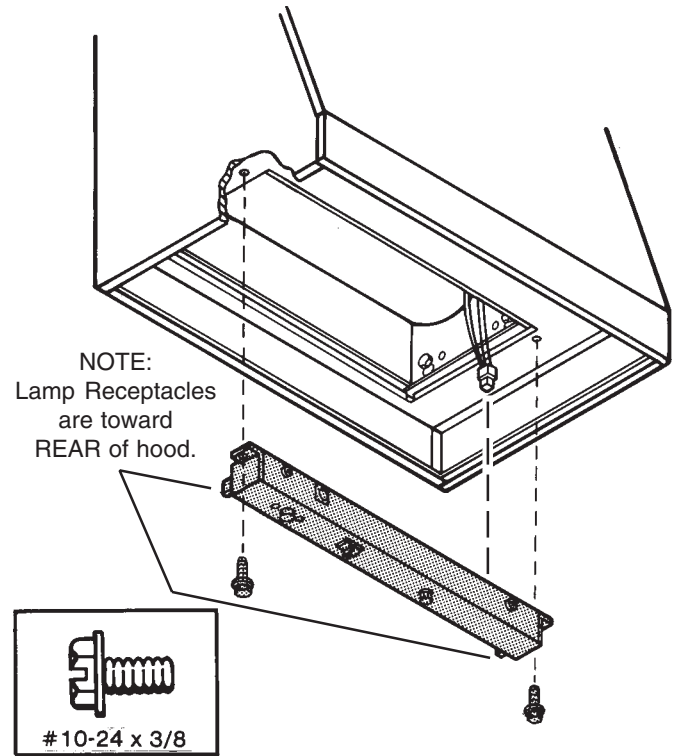
5. Make sure two (2) clearance holes in liner are lined up with sheet metal nuts on mounting brackets. Then screw liner pieces to mounting frame in nine (9) places.

INSTALL LINER (continued)



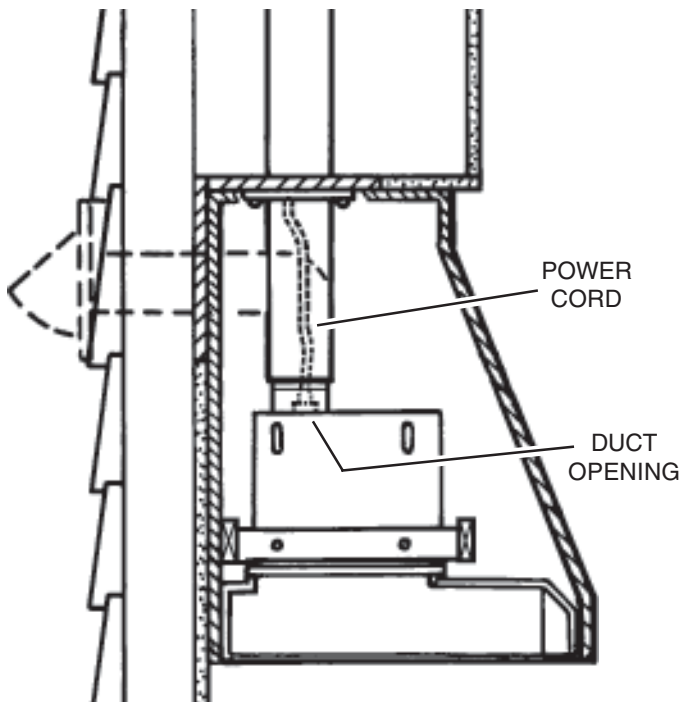
6. Fasten the two, adjustable front liners to hood with eight (8) screws provided. Use a $7/64$ " dia. drill bit to drill through liners and fasten them securely where they overlap.

MOUNT HOOD (continued)

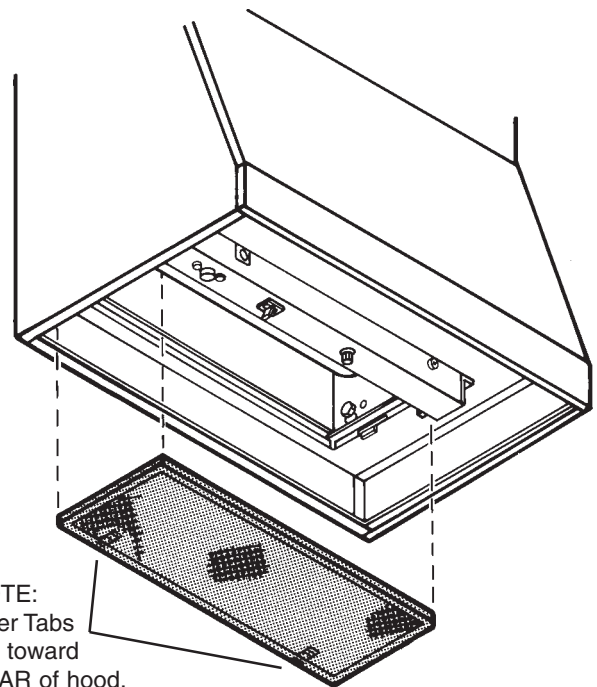


10. Plug in control unit and fasten to hood as shown.

MOUNT HOOD



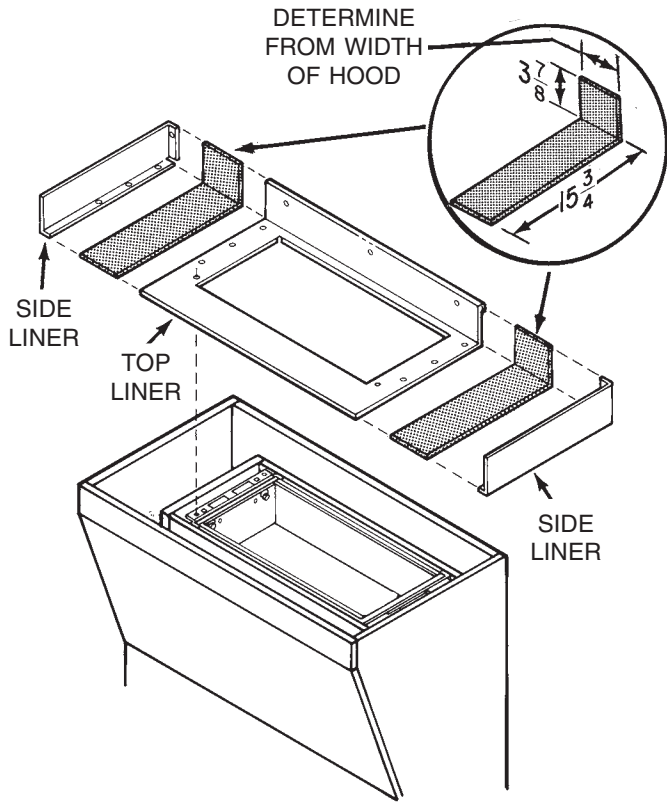
7. Secure hood to wall, soffit or cabinets as appropriate.
8. Reach up through duct opening and connect power cord to blower housing.
9. Slide damper assembly up into ductwork and refasten to blower housing (using the two (2) screws removed in Step 3). Reinstall blower assembly and plug it in.



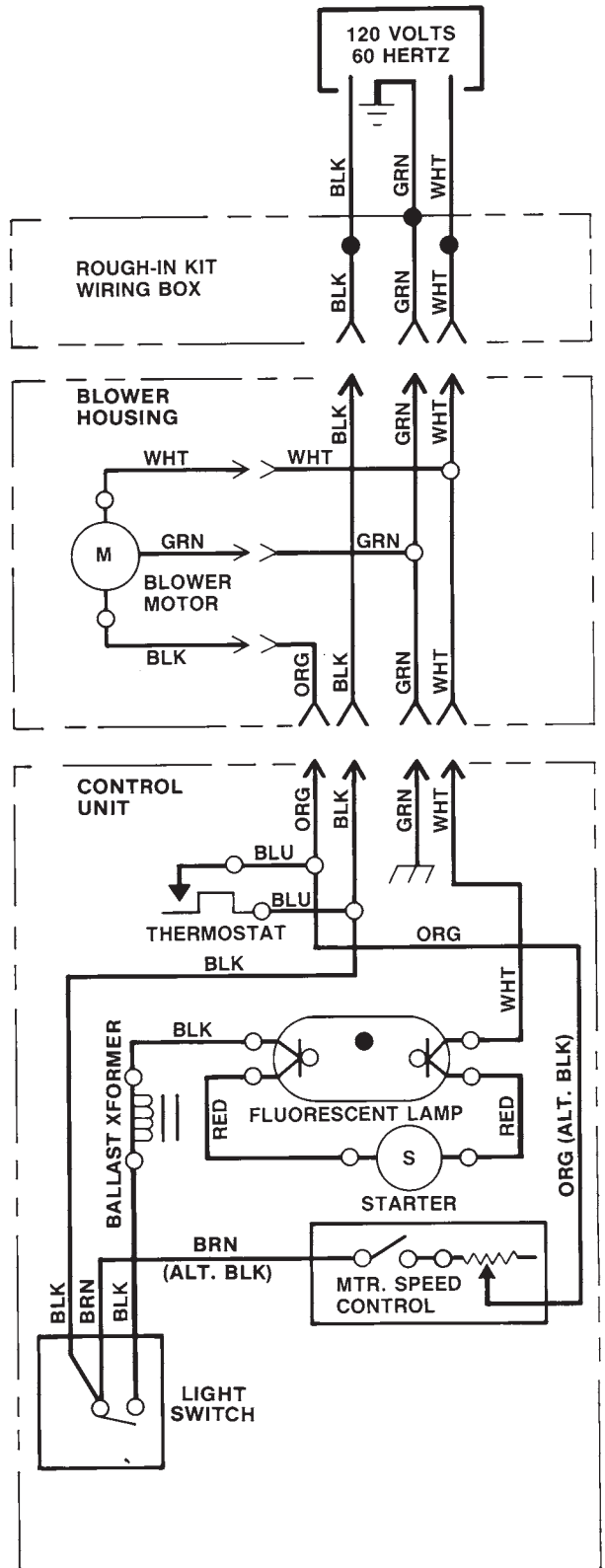
11. Install aluminum filter. Rotate two (2) retaining clips (on the hood liner) to hold filter in place.
12. Install an F20T12 fluorescent tube (not supplied).

WOOD HOODS WIDER THAN 30"

WIRING DIAGRAM



13. Add two (2) metal liners (not supplied) between top and side liners. Dimensions are shown above.



USE AND CARE

OPERATION

For best results, always turn on your hood before you begin cooking. Let hood run for a few minutes after you turn off range to allow hood to clear the air in the kitchen.

SPEED CONTROL

The speed control allows unlimited selection of blower speeds and sound levels. The control turns the blower on to high speed and dials down to low speeds.

HEAT SENTRY™

Your hood is equipped with a Heat Sentry™ thermostat. This thermostat is a device that will turn or speed up the blower if it senses excess heat above the cooking surface.

If blower is not on, or if it is running at low speed, the Heat Sentry™ will override the normal blower control and turn blower on to high speed. The blower will run until temperatures drop to normal levels. The blower will then return to its original setting.

LIGHT

The light switch is located just to the left of the speed control.

CLEANING

CAUTION

ALWAYS DISCONNECT ELECTRIC POWER SUPPLY TO HOOD BEFORE CLEANING.

Clean hood with a mild detergent suitable for painted surfaces. DO NOT USE ABRASIVE CLOTH, STEEL WOOL PADS OR SCOURING POWDERS.

To clean blower, remove filter and vacuum blower. Blower motor is lifetime lubricated and never needs oiling. Do not immerse blower in water.

FILTER

The aluminum filter in your hood should be cleaned frequently with detergent to avoid grease buildup. The filter is dishwasher safe. To remove filter, rotate retaining clips on either side of filter opening out of the way and pull filter out of hood. When replacing filter, make sure pull tabs on filter are toward the bottom and to the back of hood.

HOW TO AVOID A COMMON RANGE-TOP GREASE FIRE

- Your range hood provides a protective barrier between the cooking surface and the cabinets.
- Keep fan, filters and grease laden surfaces CLEAN according to instructions.
- Always turn hood ON when cooking at high heat to keep the cooking area and the hood cooler.
- Use high heat settings only when necessary.
- Never leave cooking surface unattended. Boil-over causes smoking and greasy spillovers that may ignite.
- Always use adequate-sized utensils.
- If preparing flaming foods, such as Cherries Jubilee, always turn hood ON to HIGH to prevent a high heat situation which can cause damage or fire.

HOW TO EXTINGUISH A COMMON RANGE-TOP GREASE FIRE

- Never pick up a flaming pan. If dropped, flames can spread quickly.
- DO NOT USE WATER! A violent steam explosion may result. Wet dishcloths or towels are also dangerous.
- Smother flames with a close fitting lid, cookie sheet or metal tray.
- Flaming grease can also be extinguished with baking soda or a multi-purpose dry chemical extinguisher.
- Turn off surface units - if you can do so without getting burned.

SERVICE

CAUTION

ALWAYS DISCONNECT ELECTRIC POWER SUPPLY TO HOOD BEFORE SERVICING.

Refer to page 4 for wiring diagram.

Your hood uses an F20T12 fluorescent tube, available at most hardware stores or home centers.

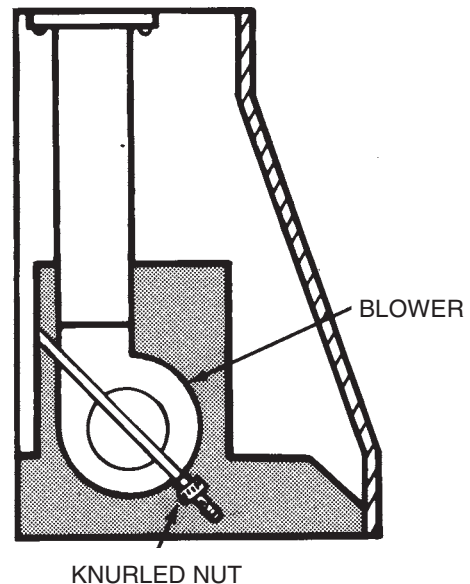
If tube flickers or does not light, check the prongs on ends of tube to make sure that they are properly seated in tube holders. Slide prongs into holders and rotate tube so that holders grip prongs and hold tube in place. If tube continues to flicker or does not light, replace tube.

If ends of tube light but center does not, the starter may be defective. Your hood uses an FS-2 starter, located on underside of control unit. Remove old starter by pushing it in and turning it clockwise. Purchase a new starter at your local hardware store or home center, and install it by pushing it in and turning clockwise.

If tube still does not light, order a 97007428 Ballast Transformer Kit from your Broan Distributor, from the Broan Service Department. Write Broan Mfg. Co., Inc., P. O. Box 140, Hartford, WI 53027.

TO REMOVE BLOWER FOR SERVICE

1. Remove fluorescent tube.
2. Rotate filter retaining clips out of way and remove filter.



3. Unplug blower and back off knurled nuts to ends of blower mounting rods. Do not remove nuts completely from rods. Support blower with one hand, slip rods out of brackets and swing them out of the way. Do not grasp blower by blower wheels. Wheels may be damaged.
4. Reinstall blower by slipping blower mounting rods into mounting brackets. Tighten knurled nuts securely, and plug blower in. Replace filter and fluorescent tubes.

SERVICE PARTS

Model 103023 Wood Hood Kit



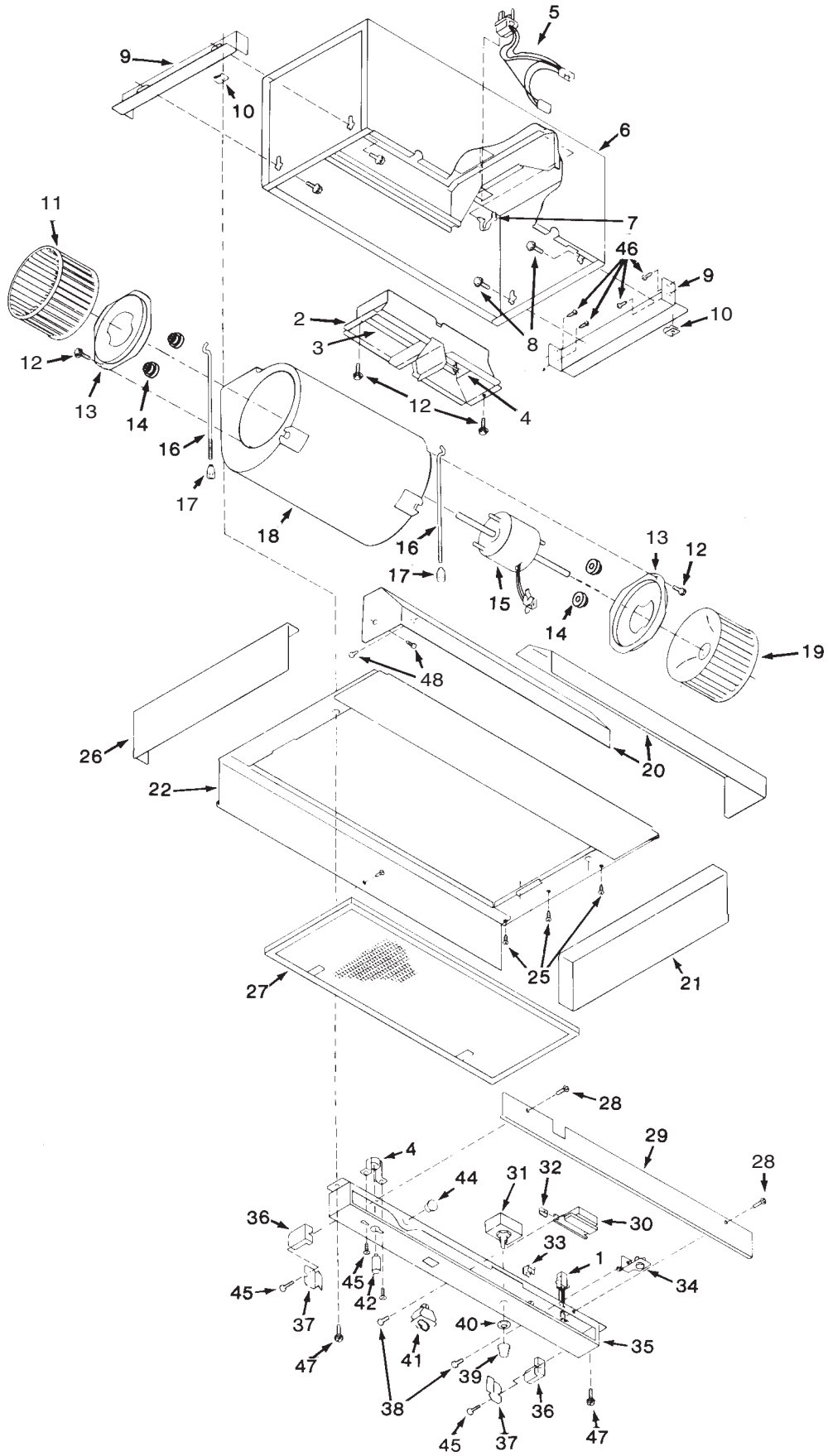
KEY NO.	PART NO.	DESCRIPTION
	97005985	Complete Blower Assembly (Includes Key Nos. 12, 13, 14, 15, 16, 19 & 20)
1	97009818	Control Box Wiring Harness
2	97006078	Damper Assembly (Includes Key Nos. 3 & 4)
3	98005221	Damper Flap
4	99100379	Damper Bushing (2 Required)
5	97007406	Blower Housing Wiring Harness
6	97007487	Blower Housing
7	93270619	Harness Clip
8	99200202	¼-20 Machine Screw (4 Required)
9	97007488	Blower Box Mounting Bracket (2 Required)
10	99260473	Sheet Metal Nut #10-24 U-Type (2 Required)*
11	99020138	Blower Wheel - Clockwise
12	99170245	#8-18 Tapping Screw (10 Required)
13	98005212	Motor Retaining Ring (2 Required)
14	99100491	Rubber Motor Mount (4 Required)
15	99080359	Motor
16	99420464	Blower Mounting Rod (2 Required)
17	99260476	Blower Mounting Rod Nut (2 Required)
18	97007314	Blower Scroll Housing
19	99020139	Blower Wheel - Counterclockwise
20	97007486	Liner Front Piece (2 Required)
21	98006455	Liner Side Piece - Right Hand
22	97013583	Liner Top Piece
25	99150470	#8AB Sheet Metal Screw (13 Required)
26	98006454	Liner Side Piece - Left Hand
27	97007725	Aluminum Filter
28	99150491	#8B Sheet Metal Screw (2 Required)
29	97007726	Control Housing Cover
30	97007428	Ballast Transformer Kit
31	99030132	Speed Control
32	99260481	Sheet Metal Nut, #10-16 U-Type*
33	99270670	Ground Clip
34	97007424	Heat Sentry™ Bracket Assembly
35	97009817	Control Housing
36	99270550	Fluorescent Lampholder (2 Required)
37	98005860	Lampholder Retainer (2 Required)
38	99150490	#10B Sheet Metal Screw (2 Required)
39	99360118	Knob
40	99260491	3/8 Hex Nut
41	99030148	Light Switch
42	99270553	Fluorescent Starter FS-2*
43	99270650	Fluorescent Starter Base
44	99400054	Hole Plug
45	99160319	#6-32 x 3/8 Pan Head Machine Screw (4 Required)*
46	99150591	#10AB x 7/8 Slotted Pan Head Sheet Metal Screw (8 Required)*
47	99160304	#10-24 Machine Screw (2 Required)*
48	99150492	#8AB x ½ Sheet Metal Screw (8 Required)*
**	97007489	Parts Bag (Includes Key Nos. 8, 25, 46, 47 & 48)

* Standard Hardware. May be purchased locally.

** Not Illustrated

SERVICE PARTS

Model 103023 Wood Hood Kit

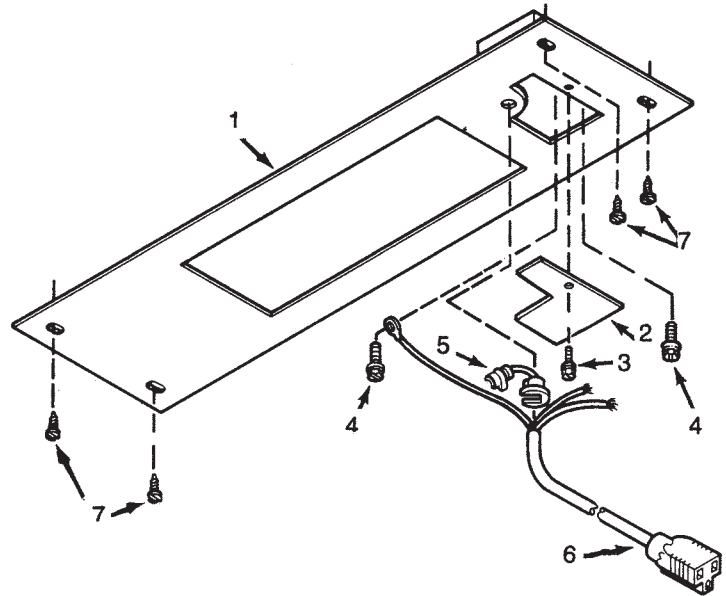


SERVICE PARTS

Model 103123 Wood Hood Rough-In Kit

KEY NO.	PART NUMBER	DESCRIPTION
1	97007473	Rough-In Plate
2	98003370	Wiring Box Cover
3	99150415	#8B Sheet Metal Screw
4	99150471	#10-32 x 1/2 Green Ground Screw* (2 Required)
5	99400052	Strain Relief Bushing
6	99440033	Power Cord
7	99150418	#10AB x 1 1/2 Slotted Pan Head Sheet Metal Screw (4 Required)*

*Standard Hardware. May be purchased locally.



BROAN-NUTONE ONE YEAR LIMITED WARRANTY

Broan-NuTone warrants to the original consumer purchaser of its products that such products will be free from defects in materials or workmanship for a period of one year from the date of original purchase. THERE ARE NO OTHER WARRANTIES, EXPRESS OR IMPLIED, INCLUDING, BUT NOT LIMITED TO, IMPLIED WARRANTIES OF MERCHANTABILITY OR FITNESS FOR A PARTICULAR PURPOSE.

During this one-year period, Broan-NuTone will, at its option, repair or replace, without charge, any product or part which is found to be defective under normal use and service.

THIS WARRANTY DOES NOT EXTEND TO FLUORESCENT LAMP STARTERS AND TUBES. This warranty does not cover (a) normal maintenance and service or (b) any products or parts which have been subject to misuse, negligence, accident, improper maintenance or repair (other than by Broan-NuTone), faulty installation or installation contrary to recommended installation instructions.

The duration of any implied warranty is limited to the one-year period as specified for the express warranty. Some states do not allow limitation on how long an implied warranty lasts, so the above limitation may not apply to you.

BROAN-NUTONE'S OBLIGATION TO REPAIR OR REPLACE, AT BROAN-NUTONE'S OPTION, SHALL BE THE PURCHASER'S SOLE AND EXCLUSIVE REMEDY UNDER THIS WARRANTY. BROAN-NUTONE SHALL NOT BE LIABLE FOR INCIDENTAL, CONSEQUENTIAL OR SPECIAL DAMAGES ARISING OUT OF OR IN CONNECTION WITH PRODUCT USE OR PERFORMANCE.

Some states do not allow the exclusion or limitation of incidental or consequential damages, so the above limitation or exclusion may not apply to you.

This warranty gives you specific legal rights, and you may also have other rights, which vary from state to state. This warranty supersedes all prior warranties.

To qualify for warranty service, you must (a) notify Broan-NuTone at the address stated below or telephone: 1-800-637-1453, (b) give the model number and part identification and (c) describe the nature of any defect in the product or part. At the time of requesting warranty service, you must present evidence of the original purchase date.

Broan-NuTone LLC, 926 West State Street, Hartford, WI 53027 1-800-637-1453