

30 INCH FULLY INTEGRATED BUILT-IN BOTTOM-FREEZER REFRIGERATOR

BRFB1920SS / BRFB1920FBI

Contemporary European Design

The hallmark of a high-end kitchen, this sleek built-in offers the ultimate in style, function, and creative customization. Featuring true-flush design, it integrates seamlessly with surrounding cabinetry. Intelligent features include hidden hinges, full door height with no exposed venting, front-end leveling for the back feet, a durable metal freezer drawer, and 3-D door adjustment for perfect alignment. Choose a lustrous stainless finish or panel-ready alternatives that let you custom match your cabinets. Interior theatrical LED lighting brilliantly illuminates every corner while conserving energy. Large, easy-to-read digital display puts complete control within easy reach.



In Harmony with Nature



Blomberg understands living well also means living intelligently and responsibly. It's a distinction that earned us the ENERGY STAR[®] 2017 Partner of the Year award. Featuring innovative technology that safeguards your food and ensures maximum freshness, our ENERGY STAR certified refrigerators also conserve energy, save money, and help protect the planet. The ultimate in eco-friendly engineering, Blomberg refrigerators are built with 99.9% lead-free materials, 100% free from ozone-depleting greenhouse gases, and manufactured with 85% recyclable components.

In Harmony with Your Life

Duo-Cycle Cooling



Ingenious Blomberg refrigerators are equipped with advanced multi-cycle, no-frost, silent cooling technology. Independently zoned and controlled cooling systems maintain even air temperature and humidity in separate freezer and fresh-food compartments, delivering enhanced food preservation and maximum energy efficiency. No air transfer between compartments means food in the freezer section freezes faster, items in the refrigerator stay fresher longer, and odors don't circulate.

Blue Light Technology



Exclusive Blomberg Blue Light Technology represents a breakthrough in keeping fruits and vegetables fresh and juicy long after they're picked. Continuous blue light rays illuminate the crisper and allow the natural process of photosynthesis to continue, prolonging storage life and preserving natural flavors, colors, textures, and nutrients.

IonFresh



This exceptional Blomberg technology simulates a natural process to bring pure freshness to your kitchen. By producing negative ions inside the refrigerator, Ion Fresh captures and neutralizes airborne bacteria, odor-causing microbes, and ethylene gas, extending the life of fresh fruits and vegetables and keeping circulated air clean and fresh smelling.

90-degree Flush Hinge



For a truly custom look, Blomberg's specially engineered hinge allows the refrigerator door to open a full 90 degrees and stay exactly flush with the opening.

30 INCH FULLY INTEGRATED BUILT-IN BOTTOM-FREEZER REFRIGERATOR

BRFB1920SS / BRFB1920FBI



Fridge Features

- Duo cycle frost free cooling
- Blue light technology
- IonFresh
- 90-degree opening flush hinge fridge
- Large, easy-to-read digital display
- Soft close crisper
- Sabbath mode
- Large pantry drawer
- Height adjustable cantilever shelves
- Interior filtered water dispenser
- Interior theatre lighting with LED lights
- Field reversibility of doors
- 3D door adjustment

Freezer Features

- Automatic ice machine
- Large freezer drawer
- Metal freezer drawer

Dimensions

BRFB1920SS

H x W X D: 83 1/2" x 29 3/4" x 24 5/16"
Depth is with doors / without handles.

BRFB1920FBI

H x W X D: 83 1/2" x 29 3/4" x 23 9/16"
Depth is without panel / without handles.

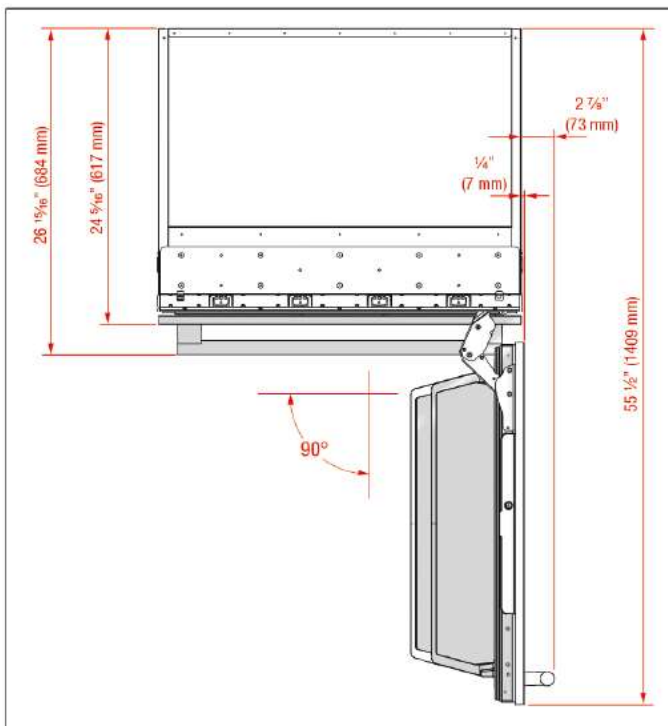
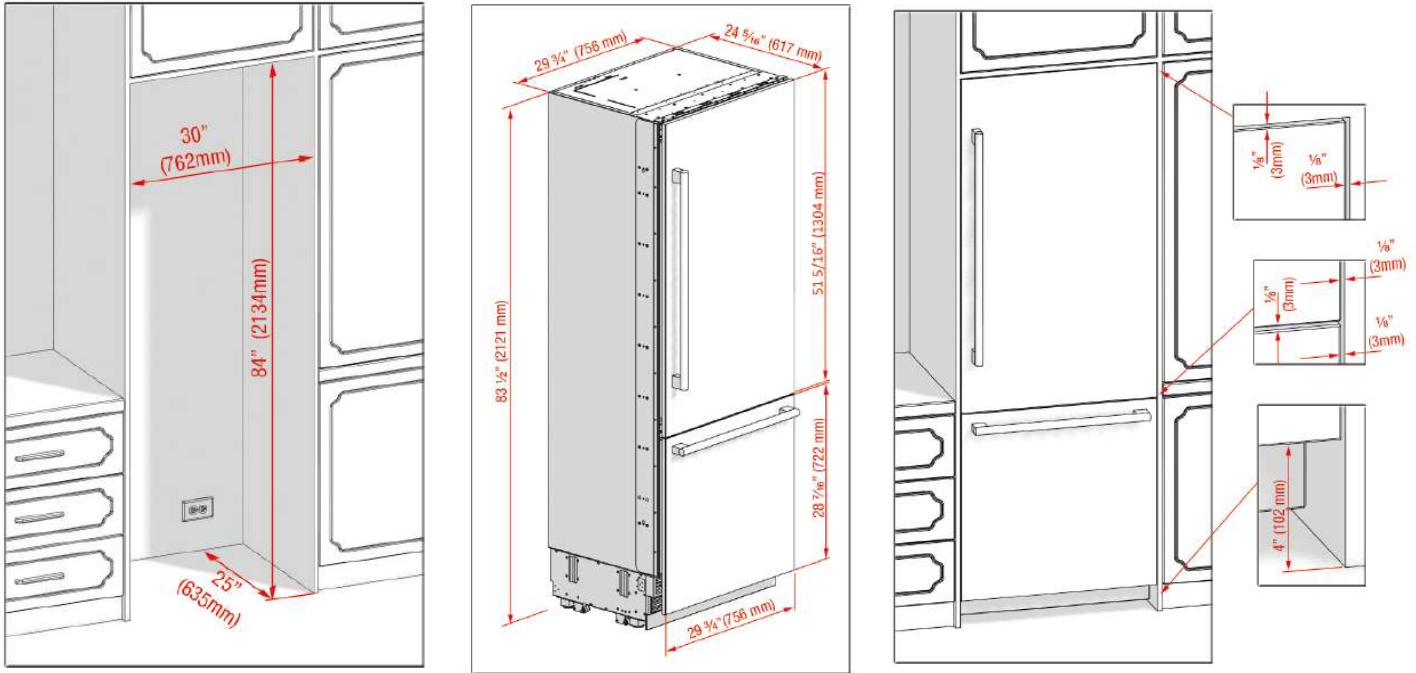
Fits 30-inch-wide cabinet / No exposed vent grill

CONTROLS	BRFB1920 Series
Cooling system	Duo Cycle Dual Compressor Frost Free Cooling
Control system	Electronic Control
CAPACITIES	
Total net volume, cu. ft.	16.4
Fresh food net volume, cu. ft.	11.6
Freezer net volume, cu. ft.	4.8
FRIDGE FEATURES	
Blue light technology	Yes
Flexizone	No
IonFresh	Yes
Carbon filter	Yes
Interior filtered water dispenser	Yes
Filtered ice & water dispenser through door	No
Electronic control display type	LCD inner display
Auto defrost	Yes
Inner illumination	LED - Side walls, ceiling
Shelves	3
Crispers	1
Door racks	3
Wine rack	No
Bottle gripper	No
Compressor	Variable Speed VCC
Fan ventilation	Yes
FREEZER FEATURES	
Auto defrost	Yes
Number of freezer drawers	1
Automatic ice maker	Yes
Ice cube tray	No
TECHNICAL INFORMATION	
Supply voltage, V/Hz	120/60
Rated Current, A	2
Noise level, dBA	44
DIMENSIONS	
HxWxD, in	83 1/2" x 29 3/4" x 24 5/16"
Product weight, lbs.	507
HxWxD, cm	212 x 75.6 x 61.7
Product weight, kg	230
PERFORMANCE	
Energy Star qualified	Yes
Climatic class	T
Annual energy consumption, kwh/year	556
Cooling gas	R600a
COLOR OPTIONS	
Stainless Steel	BRFB1920SS
Panel Ready FBI/FFBI	BRFB1920FBI

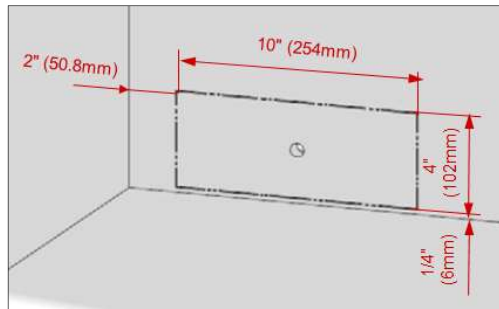
30 INCH FULLY INTEGRATED BUILT-IN BOTTOM-FREEZER REFRIGERATOR

BRFB1920SS / BRFB1920FBI

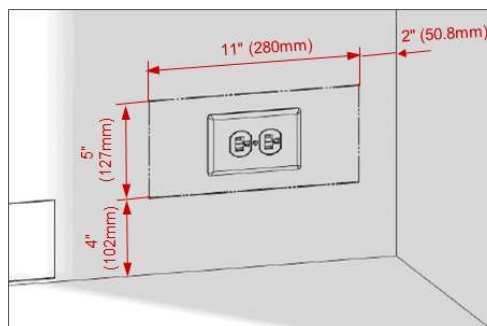
Dimensions and Installation



Plumbing



Electrical



NOTE TO THE INSTALLER: All height, width and depth dimensions are shown in inches (as well as metric). Beko US Inc. reserves the absolute and unrestricted right to change product materials and specifications, at any time, without notice. Please visit our website www.blombergappliances.us or call 888 352 2356 to verify the latest specifications with final dimensional data and other details prior to installation and making a cutout. Applicable product limited warranty information may be found in accompanying product materials or you may contact your account manager for further details. Proper installation is the responsibility of the installer. Product failure due to improper installation is not covered under the Limited Warranty.