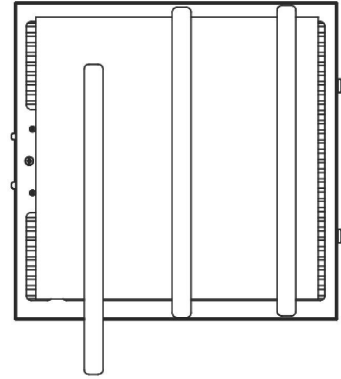
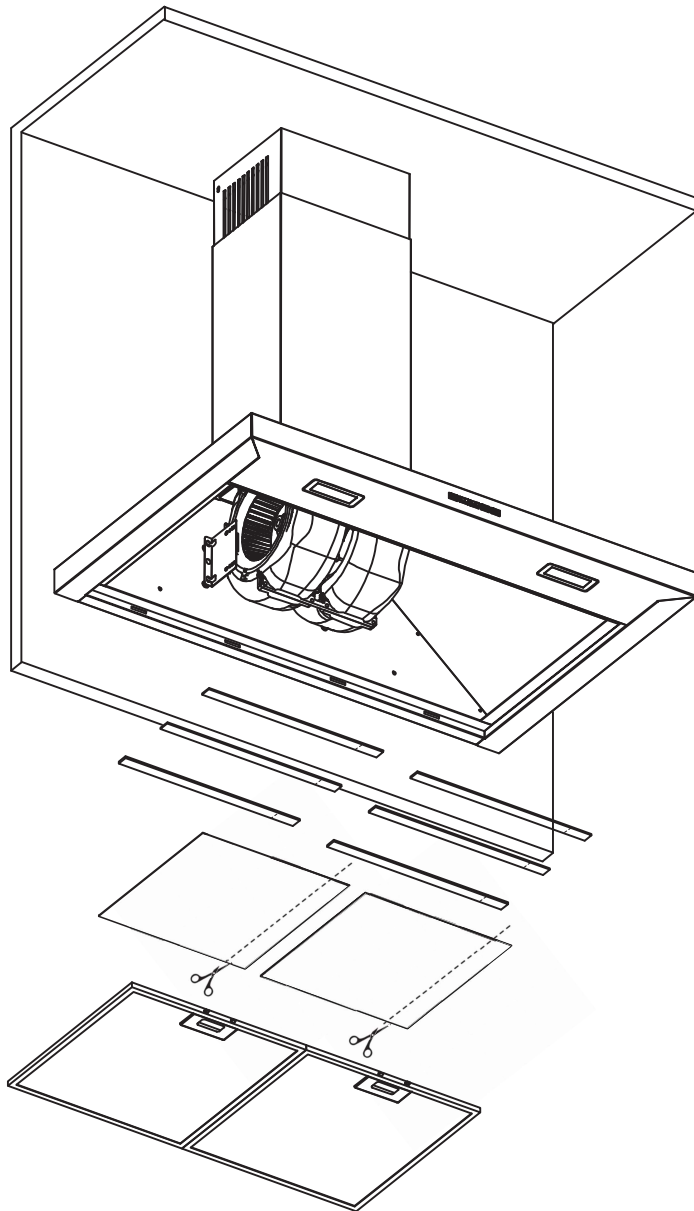


BRC-0108

For use with models: BVE-ExxCS



Place charcoal filter on back side of grease filter. Place filter brackets over charcoal filter and secure in place by tucking each end of bracket under the filter frame. Reinstall filter.

NOTE: With a 30" range hood, the charcoal filters and charcoal filter brackets need to be resized. Use scissors to cut along the perforated line for the charcoal filters, and bend the charcoal filter brackets by hand until the smaller piece snaps off.

INCLUDED MATERIALS

