



IN HARMONY WITH NATURE,
YOUR LIFE, AND YOU.

Blomberg
seit 1883

30" Over the Range Microwave

BOTR30100SS



FEATURES

- 1.5 cu. ft. Interior Capacity
- Two-speed 300 CFM Ventilation
- Defrost by Time or Weight
- Preset Cooking Options
- Clock Display
- Glass Turntable
- Cooktop Surface Lighting
- Pull-handle Door
- Multi-touch Control

FINISH

Stainless Steel

DIMENSIONS (H x W x D)

16 1/2 x 30 x 15 in.

GENERAL

Door Opening Type	Side Opening — Handling
Control Panel Color	Black & Stainless Steel

MAIN FEATURES

Microwave Watts	1,000 W
Control Type	Electric
Type of Microwave Oven	Microwave
Timer	Digital
Auto-cooking	Yes
Turntable	Yes
Turntable Size	13.5 in.

CAPACITIES

Total Capacity	1.5 cu. ft.
Exhaust Capacity	300 cu. ft./min.

TECHNICAL INFORMATION

Electrical Input	1,500 W
Electrical Output	1,000 W
Voltage	120 V
Frequency	60 Hz

DIMENSIONS

Product (H x W x D)	16 1/2 x 30 x 15 in.
Cutout Height	16 3/4 – 17 in. clearance
Cutout Width	30 in. clearance
Cutout Depth	12–13 in. clearance
Packed Weight	55 lbs. (24.9 kg)



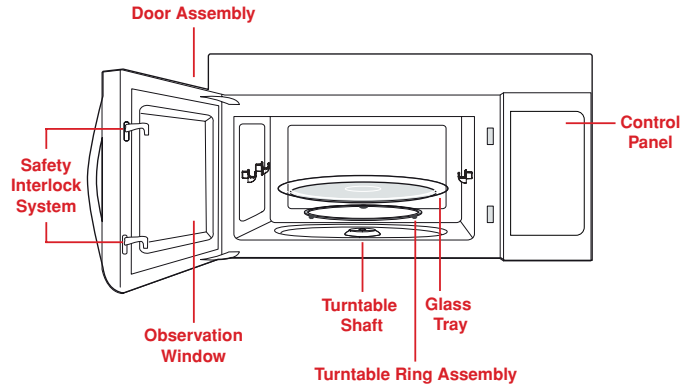
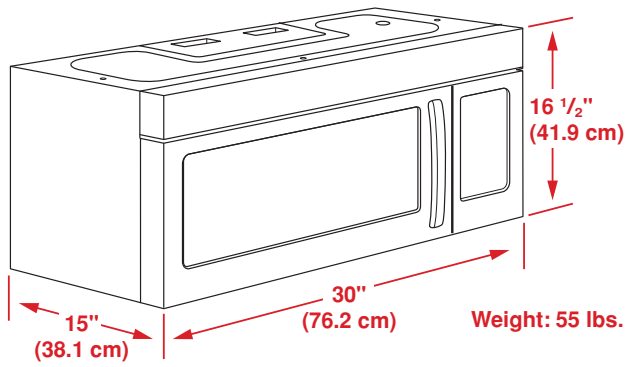
888.352.2356 | BlombergAppliances.com

©2018 Beko U.S., Inc. 06/15/18

Blomberg
seit 1883

30" Over the Range Microwave

BOTR30100SS



NOTE TO THE INSTALLER: All height, width, and depth dimensions are shown in inches (as well as metric). Beko U.S., Inc. reserves the absolute and unrestricted right to change product materials and specifications, at any time, without notice. Please visit our website at www.BlombergAppliances.com or call 888.352.2356 to verify the latest specifications with final dimensional data and other details prior to installation and making a cutout. Applicable product limited warranty information may be found in accompanying product materials, or you may contact your account manager for further details. Proper installation is the responsibility of the installer. Product failure due to improper installation is not covered under the Limited Warranty.

IN HARMONY WITH NATURE, YOUR LIFE, AND YOU.

888.352.2356 | BlombergAppliances.com

©2018 Beko U.S., Inc. 06/15/18

Blomberg
seit 1883