

# Blomberg®

seit 1883

## Over The Range Convection Microwave Oven Installation Manual



BOTR30100SS  
BOTR30100B  
ENIFR







# Please read this manual first!

Dear Customers!

Thank you for preferring a Blomberg product. We hope that you get the best results from your product which has been manufactured with high quality and state-of-the-art technology. Therefore, please read this entire user manual and all other accompanying documents carefully before using the product and keep it as a reference for future use. If you handover the product to someone else, give the user manual as well. Follow all warnings and information in the user manual.

## Meanings of the Symbols

Following symbols are used in the various section of this manual:

	Important information and useful hints about usage.
	<b>WARNING:</b> Warnings for dangerous situations concerning the safety of life and property.
	Warning for electric shock.
	Warning for hot surfaces.

Metallic containers for food and beverages are not allowed during microwave cooking.

Care should be taken not to displace the turntable when removing containers from the appliance.

The appliance shall not be cleaned with a steam cleaner.



This product has been manufactured in environmental friendly modern plants without giving any harm to the nature.

# CONTENTS

<b>1 Important instructions</b>	<b>4</b>
1.1 General safety .....	4
1.1.1 Electrical safety .....	5
<b>2 Your over the range convection microwave oven</b>	<b>6</b>
2.1 Overview .....	6
2.2 Technical data .....	6
<b>3 Mounting space</b>	<b>7</b>
<b>4 External exhaust</b>	<b>8</b>
4.1 Installing hood exhaust.....	8
4.1.1 Outside top exhaust (example only) .....	8
4.1.2 Outside back exhaust (example only) .....	9
4.1.3 Exhaust connection .....	9
4.1.4 Maximum duct length .....	10
4.1.5 Elbows, transitions, wall and roof caps, etc., .....	10
4.2 Damage - Shipment / Installation .....	11
4.3 Parts Included .....	11
4.3.1 Hardware packet .....	11
4.3.2 Additional parts .....	12
4.4 Tools and Materials Needed .....	13
<b>5 Installation</b>	<b>14</b>
5.1 Placement of the Mounting Plate .....	14
5.1.1 Removing the microwave oven from the carton/ removing the mounting plate .....	14
5.1.2 Finding the wall studs .....	14
5.1.3 Determining wall plate location under your cabinet .....	14
5.1.4 Aligning the wall plate .....	16
5.2 Installation Types (Choose A, B or C) .....	17
5.2.1 Outside Top Exhaust (Vertical Duct) .....	17
5.2.2 Outside Back Exhaust (Horizontal Duct) .....	23
5.2.3 Recirculating (non-vented ductless) .....	28
<b>6 How to use the product</b>	<b>32</b>

# 1 Important instructions

## 1.1 General safety



Read and save these instructions

Doing so will:

- make installation easier.
- help you in the future if you have questions.
- help if you have an electrical inspection.

Call your dealer when you have questions or need service. When you call, you will need the microwave model and serial numbers.



**WARNING:** To reduce the risk of fire, electric shock, or injury to persons, always exercise basic safety precautions, including the following:

Read all instructions before using the appliance.

This product requires a three-prong grounded outlet. The installer must perform a ground continuity check on the power outlet box before beginning the installation to insure that the outlet box is properly grounded.

If not properly grounded, or if the outlet box does not meet electrical requirements noted (under ELECTRICAL REQUIREMENTS), a qualified electrician should be employed to correct any deficiencies.

For personal safety, remove house fuse or open circuit breaker before beginning installation to avoid severe or fatal shock injury.

For personal safety, the mounting surface must be capable of supporting the cabinet load, in addition to the added weight of this 63-85 pound (28.5-38.5 kg) product, plus additional oven loads of up to 50 pounds (22.7 kg) or a total weight of 113-135 pounds (51.3-61.2 kg).

For personal safety, this product cannot be installed in cabinet arrangements such as an island or a peninsula. It must be mounted to BOTH a top cabinet AND a wall.

For easier installation and personal safety, it is recommended that two people install this product.

For personal safety, this appliance must be properly grounded to avoid severe or fatal shock.

# 1 Important instructions

The power cord of this appliance is equipped with a three-prong (grounding) plug which mates with a standard three-prong (grounding) wall receptacle to minimize the possibility of electric shock hazard from this appliance.

Do not, under any circumstances, cut, deform or remove any of the prongs from the power cord. Do not use with an extension cord.

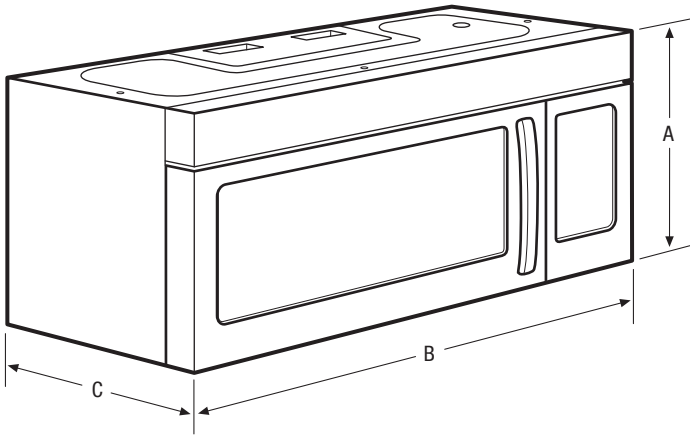
## 1.1.1 Electrical safety

Product rating is 120 volts AC, 60 Hertz, 15 amps and 1550 watts. This product must be connected to a supply circuit of the proper voltage and frequency.

Wire size must conform to the requirements of the National Electrical Code or the prevailing local code for this kilowatt rating. The power supply cord and plug should be brought to a separate 15- to 20- ampere branch circuit single grounded outlet. The outlet box should be located in the cabinet above the microwave oven. The outlet box and supply circuit should be installed by a qualified electrician and conform to the National Electrical Code or the prevailing local code.

## 2 Your over the range convection microwave oven

### 2.1 Overview

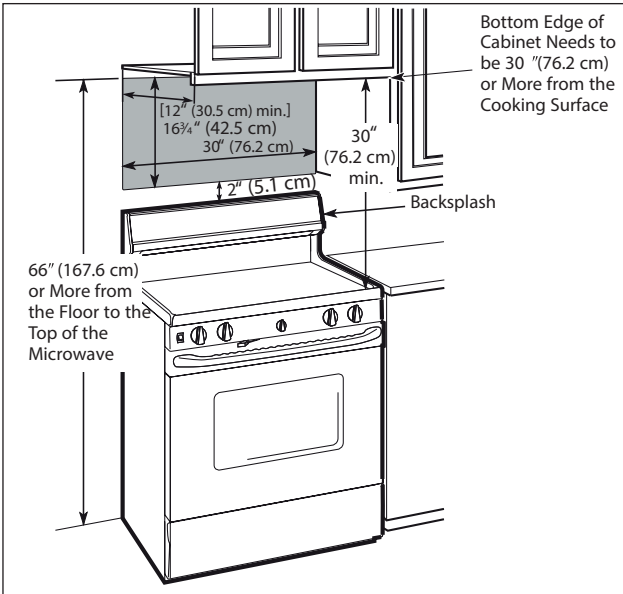


### 2.2 Technical data

Product Dimensions	
A-Height	16.4" (41.7 cm)
B-Width	29.9" (75.9 cm)
C-Depth	15.0" (38.2 cm)

Cutout Dimensions	
Height (Min.)	16.75" (42.5 cm)
Height (Max.)	17.0" (43.2 cm)
Width (Min.)	30.0" (76.2 cm)
Depth (Min.)	12.0" (30.5 cm)
Depth (Max.)	14.0" (35.7 cm)

### 3 Mounting space



The space between the cabinets must be 30" (76.2 cm) wide and free of obstructions.



If you are going to vent your microwave oven to the outside, see Hood Exhaust Section for exhaust duct preparation.



When installing the microwave oven beneath smooth, flat cabinets, be careful to follow the instructions on the top cabinet template for power cord clearance.

## 4 External exhaust

### 4.1 Installing hood exhaust






Read these instructions only if you plan to vent your exhaust to the outside. If you plan to recirculate the air back into the room, proceed to title 5

#### 4.1.1 Outside top exhaust (example only)

The following chart describes an example of one possible ductwork installation.



Duct pieces		Equivalent Length	x	Number used	=	Equivalent Length
	Roof Cap	24 Ft. (7.3 m)	x	(1)	=	24 Ft. (7.3 m)
	12 Ft. (3.6 m) Straight Duct (6"/15.2 cm Round)	12 Ft. (3.6 m)	x	(1)	=	12 Ft. (3.6 m)
	Rectangular-to-Round Transition Adaptor*	5 Ft. (1.5 m)	x	(1)	=	5 Ft. (1.5 m)
Equivalent lengths of duct pieces are based on actual tests and reflect requirements for good venting performance with any vent hood.				Total Length	=	41 Ft. (12.5 m)



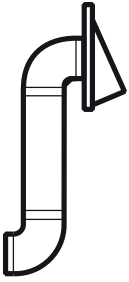
If a rectangular-to-round transition adaptor is used, the bottom corners of the damper will have to be cut to fit, using the tin snips, in order to allow free movement of the damper.

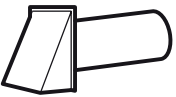




## 4 External exhaust

### 4.1.2 Outside back exhaust (example only)

The following chart describes an example of one possible ductwork installation.



Duct pieces		Equivalent Length	x	Number used	=	Equivalent Length
	Wall Cap	40 Ft. (12.2 m)	x	(1)	=	40 Ft. (12.2 m)
	3 Ft. Straight Duct (3 <sup>1</sup> / <sub>4</sub> " x 10" / 8.2 x 25.4 cm Rectangular)	3 Ft. (0.9 m)	x	(1)	=	3 Ft. (0.9 m)
	90° Elbow	10 Ft. (3 m)	x	(2)	=	20 Ft. (3 m)
Equivalent lengths of duct pieces are based on actual tests and reflect requirements for good venting performance with any vent hood.				Total Length	=	63 Ft. (19.2 m)



For back exhaust, care should be taken to align exhaust with space between studs, or wall should be prepared at the time it is constructed by leaving enough space between the wall studs to accommodate exhaust.



If you need to install ducts, note that the total duct length of 3<sup>1</sup>/<sub>4</sub>" x 10" (8.2 x 25.4 cm) rectangular or 6" (15.2 cm) diameter round duct should not exceed 120 equivalent feet (36.5 m).



Outside ventilation requires a HOOD EXHAUST DUCK. Read the following carefully. It is important that venting be installed using the most direct route and with as few elbows as possible. This ensures clear venting of exhaust and helps prevent blockages. Also, make sure dampers swing freely and nothing is blocking the ducts.

### 4.1.3 Exhaust connection

The exhaust adaptor has been designed to mate with a standard 3<sup>1</sup>/<sub>4</sub>" x 10" (8.2 x 25.4 cm) rectangular duct. If a round duct is required, a rectangular-to-round transition adaptor must be used. Do not use less than a 6" 6" (15.2 cm) diameter duct.





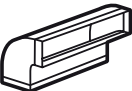
## 4 External exhaust

### 4.1.4 Maximum duct length

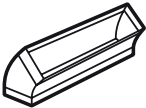


For satisfactory air movement, the total duct length of 3<sup>1</sup>/<sub>4</sub>" x 10" (8.2 x 25.4 cm) rectangular or 6" (15.2 cm) diameter round duct should not exceed 120 equivalent feet (36.5 m).

### 4.1.5 Elbows, transitions, wall and roof caps, etc.,

Present additional resistance to airflow and are equivalent to a section of straight duct which is longer than their actual physical size. When calculating the total duct length, add the equivalent lengths of all transitions and adaptors plus the length of all straight duct sections. The chart below shows you how to calculate total equivalent ductwork length using the approximate feet of equivalent length of some typical ducts.

Duct pieces		Equivalent Length	x	Number used	=	Equivalent Length
	Rectangular-to-Round Transition Adaptor*	5 Ft. (1.5 m)	x	( )	=	Ft. or m
	Wall Cap	40 Ft. (12.2 m)	x	( )	=	Ft. or m
	90° Elbow	10 Ft. (3 m)	x	( )	=	Ft. or m
	45° Elbow	45° Elbow	x	( )	=	Ft. or m
	90° Elbow	25 Ft. (7.6 m)	x	( )	=	Ft. or m

## 4 External exhaust

	45° Elbow	5 Ft. (1.5 m) x ( )	=	Ft. or m
	Roof Cap	24 Ft. (7.3 m) x ( )	=	Ft. or m
	Straight Duct 6" (15.2 cm) Round or 3 1/4" x 10" (8.2 x 25.4 cm) rectangular	1 Ft. (0.3 m) x ( )	=	Ft. or m
Total Ductwork				= Ft. or m



If a rectangular-to-round transition adaptor is used, the bottom corners of the damper will have to be cut to fit, using the tin snips, in order to allow free movement of the damper.




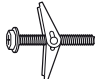


For back exhaust, care should be taken to align exhaust with space between studs, or wall should be prepared at the time it is constructed by leaving enough space between the wall studs to accommodate exhaust.

### 4.2 Damage - shipment / installation

- If the unit is damaged in shipment, return the unit to the store in which it was bought for repair or replacement.
- If the unit is damaged by the customer, repair or replacement is the responsibility of the customer.
- If the unit is damaged by the installer /if other than the customer), repair or replacement must be made by arrangement between customer and installer.




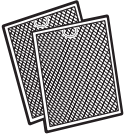
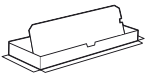


## 4.3 Parts included

### 4.3.1 Hardware packet

Part		Quantity
	Wood Screws (1/4" x 2")	2
	Toggle Bolts (and wing nuts) (3/16" x 3")	2
	Self-Aligning Machine Screws (1/4"-28 x 31/4")	3
	Nylon Grommet (for metal cabinets)	1
<p>You will find the installation hardware contained in a packet with the unit. Check to make sure you have all these parts.</p> <p>NOTE: Some extra parts are included.</p>		

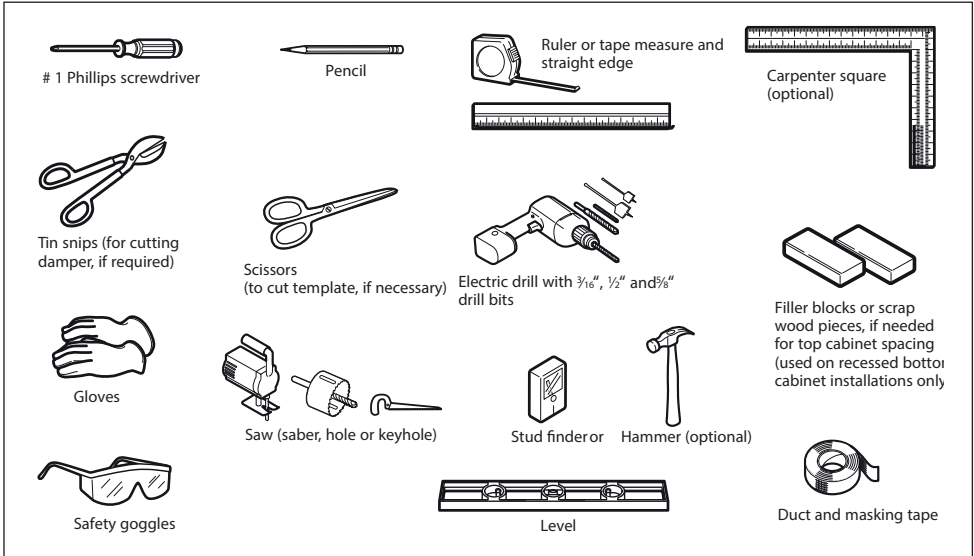
## 4 External exhaust

### 4.3.2 Additional parts

Part		Quantity
	Top Cabinet Template and	1
	Rear Wall Template	1
	Installation Instructions	1
	Separately Packed Grease Filters	2
	Exhaust adaptor	1
	Glass tray	1
	Turntable ring	1
<p>You will find the installation hardware contained in a packet with the unit. Check to make sure you have all these parts.</p> <p>NOTE: Some extra parts are included.</p>		

## 4 External exhaust

### 4.4 Tools and materials needed

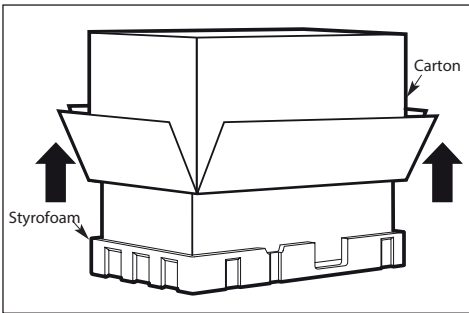


# 5 Installation

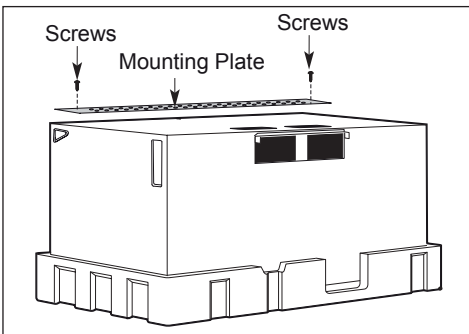
## 5.1 Placement of the mounting plate

### 5.1.1 Removing the microwave oven from the carton/ removing the mounting plate

1. Remove the installation instructions, filters, glass tray and the small hardware bag. Do not remove the Styrofoam protecting the front of the oven.
2. Fold back all 4 carton flaps fully against carton sides. Then carefully roll the oven and carton over onto the top side. The oven should be resting in the Styrofoam.



3. Pull the carton up and off the oven.
4. Cut the middle of the outer protective plastic bag to remove the mounting plate



5. Remove the screws from the mounting plate. This plate will be used as the rear wall template and for mounting. Reinstall the screws into the holes where they were removed.

### 5.1.2 Finding the wall studs

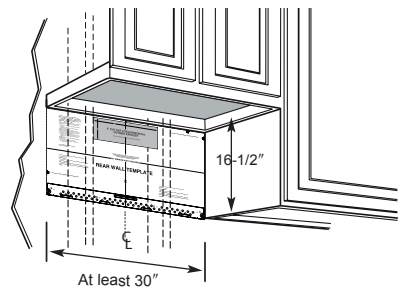
1. Find the studs, using one of the following methods:
  - Stud finder - a magnetic device which locates nails.
  - Use a hammer to tap lightly across the mounting surface to find a solid sound. This will indicate a stud location.
2. After locating the stud(s), find the center by probing the wall with a small nail to find the edges of the stud. Then place a mark halfway between the edges. The center of any adjacent studs should be 16" (40.6 cm) or 24" (61 cm) from this mark.
3. Draw a line down the center of the studs.



**WARNING:** The microwave must be connected to at least one wall stud.

### 5.1.3 Determining wall plate location under your cabinet

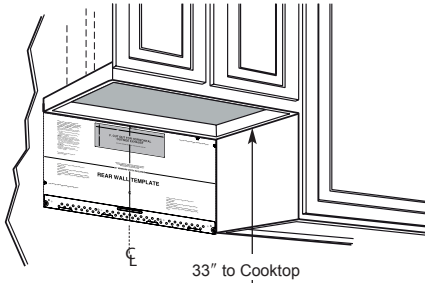
Plate position—beneath flat bottom cabinet



Draw a vertical line on the wall at the center of the 30" wide space. Tape the Rear Wall Template onto the wall matching the centerline and touching the bottom of the cabinet.

## 5 Installation

Plate position—beneath framed recessed cabinet bottom



Draw a vertical line on the wall at the center of the 30" space.

Tape the Rear Wall Template onto the wall matching the centerline and touching the bottom cabinet frame.

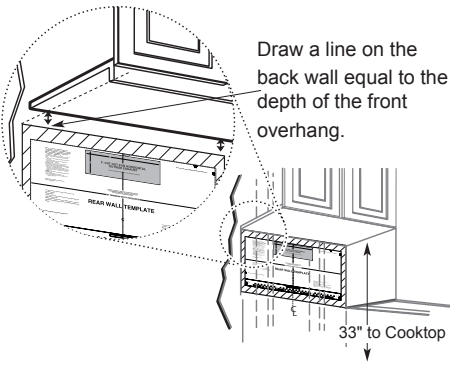
### The microwave must be level.

Use a level to make sure the cabinet bottom is level.

If the cabinets have a front overhang only, with no back or side frame, install the mounting plate down the same distance as the front overhang depth. This will keep the microwave level.

1. Measure the inside depth of the front overhang.
2. Draw a horizontal line on the back wall an equal distance below the cabinet bottom as the inside depth of the front overhang.
3. For this type of installation with front overhang only, align the mounting tabs with this horizontal line, not touching the cabinet bottom as described in subtitle 5.1.4.

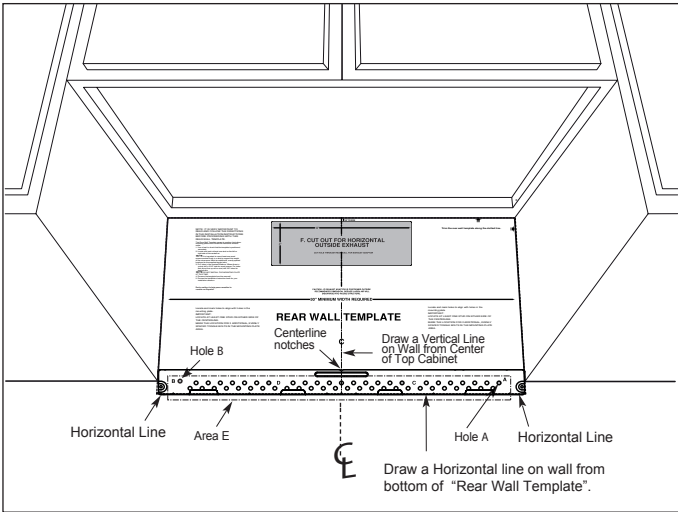
Plate position—beneath recessed bottom cabinet with front overhang



Draw a line on the back wall equal to the depth of the front overhang.

Your cabinets may have decorative trim that interferes with the microwave installation. Remove the decorative trim to install the microwave properly and to make it level

## 5 Installation



Wear gloves to avoid cutting fingers on sharp edges.

### 5.1.4 Aligning the wall plate

1. Draw a Vertical line on the wall at the center of the 30" wide space.
2. Draw a Horizontal line on the wall at the bottom of "Rear Wall Template".
3. Drill 5/8" holes for toggle bolts on 2 locations (Hole A, Hole B) but if the location of hole is same as that of stud, drill a 3/16" hole for wood screw. In other words, toggle bolt can not be used to the location of stud.



Holes A and B are inside area E. If both of A and B are not in a stud, find a stud somewhere in area E and draw a forth circle to line up with the stud. It is important to use at least one wood screw mounted firmly in a stud to support the weight of the microwave. Set the mounting plate aside.



DO NOT MOUNT THE PLATE AT THIS TIME.

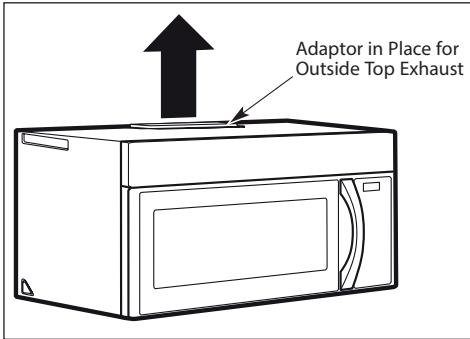


# 5 Installation

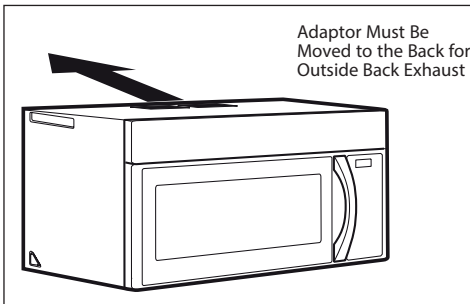
## 5.2 Installation types (choose A, B or C)

this microwave oven is designed for adaptation to the following three types of ventilation:

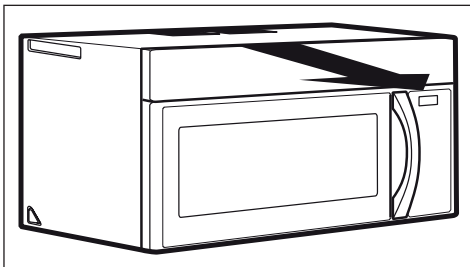
- Outside Top Exhaust (Vertical Duct Type A)



- Outside Back Exhaust (Horizontal Duct Type B)



- Recirculating (Non-Vented Ductless Type C)



This microwave is shipped assembled for Recirculating. Select the type of ventilation required for your installation and proceed to that section.

### 5.2.1 Outside top exhaust (vertical duct type A)

#### installation overview

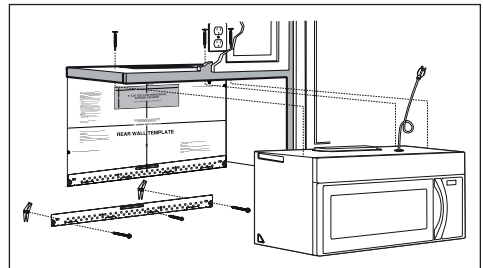
- A1. Attach Mounting Plate to Wall
- A2. Prepare Top Cabinet
- A3. Adapting Microwave Blower for
- A4. Check Damper Operation
- A5. Mount Microwave Oven
- A6. Adjust Exhaust Adaptor
- A7. Connect Ductwork



Make sure the screws for the blower motor and blower plate are securely tightened when they are reinstalled. This will help to prevent excessive vibration.



Make sure the motor wiring has been properly routed and secured, and that the wires are not pinched.

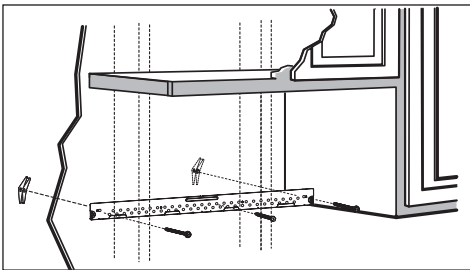


# 5 Installation

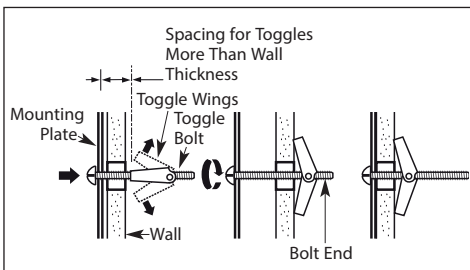
## A1. Attach Mounting Plate to Wall

Attach the plate to the wall using toggle bolts. At least one wood screw must be used to attach the plate to a wall stud.

1. Remove the toggle wings from the bolts.
2. Insert the bolts into the mounting plate through the holes designated to go into drywall and reattach the toggle wings to 3/4" (19 mm) onto each bolt.



### To use toggle bolts:



3. Place the mounting plate against the wall and insert the toggle wings into the holes in the wall to mount the plate.



Before tightening toggle bolts and wood screw, make sure the tabs on the mounting plate touch the bottom of the cabinet when pushed flush against the wall and that the plate is properly centered under the cabinet.

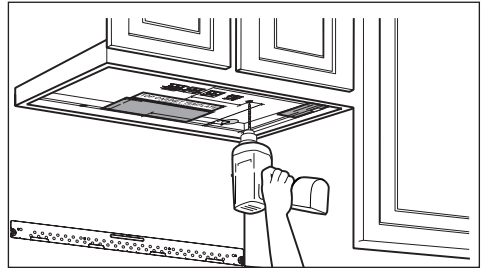


Be careful to avoid pinching fingers between the back of the mounting plate and the wall.

4. Tighten all bolts. Pull the plate away from the wall to help tighten the bolts.

## A2. Use top cabinet template For preparation of top Cabinet

You need to drill holes for the top support screws, a hole large enough for the power cord to fit through, and a cutout large enough for the exhaust adaptor.



- Read the instructions on the TOP CABINET TEMPLATE.
- Tape it underneath the top cabinet.
- Drill the holes, following the instructions on the TOP CABINET TEMPLATE.

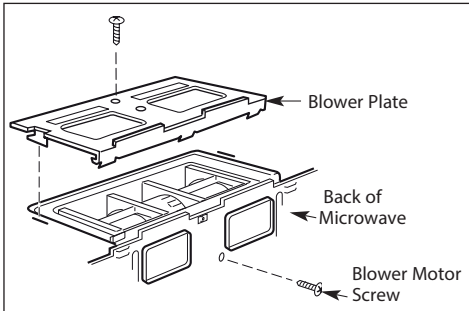


Wear safety goggles when drilling holes in the cabinet bottom.

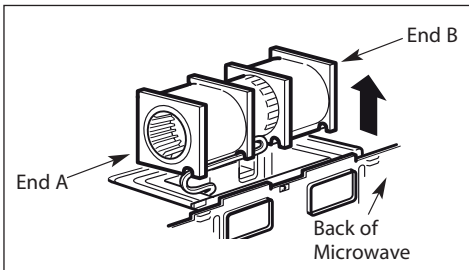
## 5 Installation

### A3. Adapting microwave blower for outside top exhaust

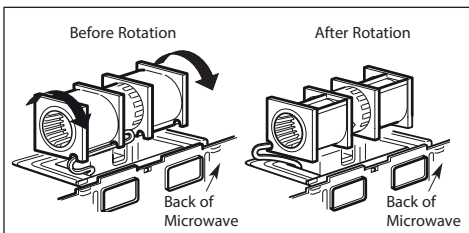
1. Place the microwave in its upright position, with the top of the unit facing up. Remove the screw that holds the blower plate to the microwave. Remove and save the screw holding the blower motor to the microwave.



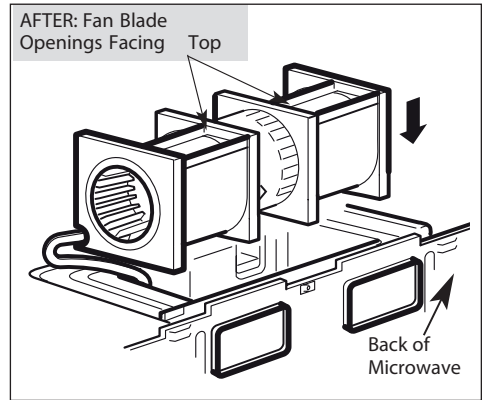
2. Carefully pull out the blower unit. The wires will extend far enough to allow you to adjust the blower unit.



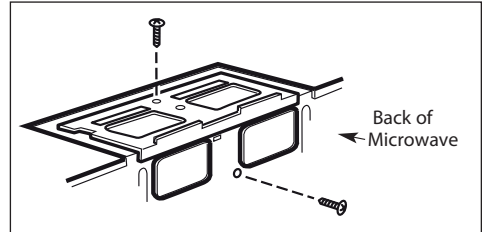
3. Roll the blower unit 90° so that fan blade openings are facing out the top of the microwave.



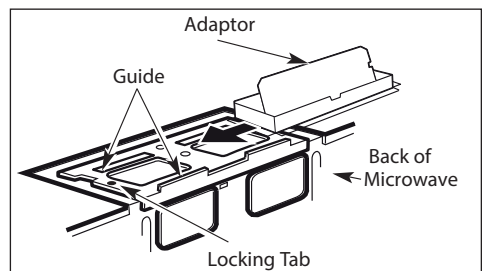
4. Place the blower unit back into the opening.



5. Secure blower unit to microwave with the screw removed in Step 1. Make sure the screw is tight.  
6. Replace blower plate with the screw removed in Step 1. Make sure the screw is tight.

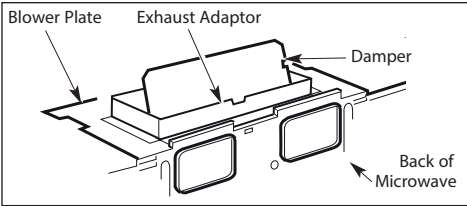


7. Attach the exhaust adaptor to the top of the blower plate by sliding it into the guides of the blower plate. Push in securely until it is in the locking tabs. Take care to assure that the damper hinge is installed so that the damper swings freely.



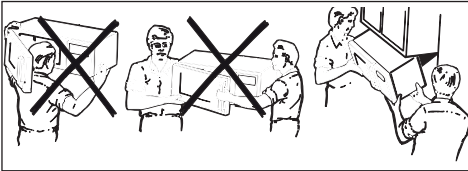
## 5 Installation

### A4. Check for proper damper operation



- Make sure tape securing damper is removed and damper pivots easily before mounting microwave.
- You will need to make adjustments to assure proper alignment with your house exhaust duct after the microwave is installed.

### A5. Mount the microwave oven



For easier installation and personal safety, we recommend that two people install this microwave oven.



Do not grip or use handle during installation.



If your cabinet is metal, use the nylon grommet around the power cord hole to prevent cutting of the cord.



We recommend using filler blocks if the cabinet front hangs below the cabinet bottom shelf.

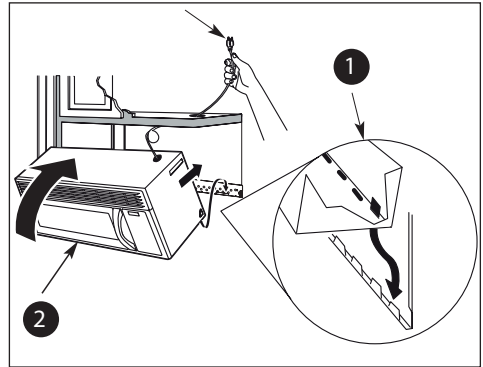


If filler blocks are not used, case damage may occur from overtightening screws.

1. Lift microwave, tilt it forward, and hook slots at back bottom edge onto four lower tabs of mounting plate.
2. Rotate front of oven up against cabinet bottom.



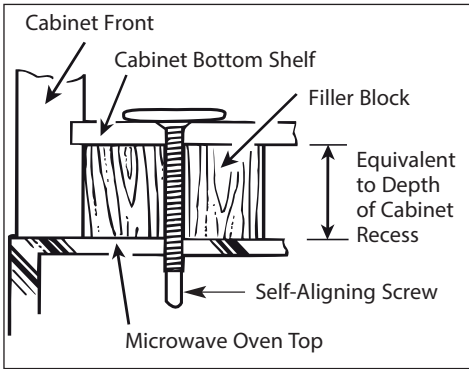
When mounting the microwave oven, thread power cord through hole in bottom of top cabinet. Keep it tight throughout Steps 1-3. Do not pinch cord or lift oven by pulling cord.



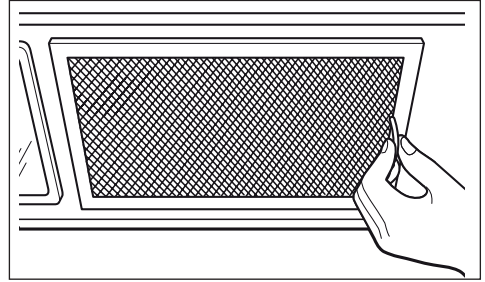
3. Insert a self-aligning screw through top center cabinet hole. Temporarily secure the oven by turning the screw at least two full turns after the threads have engaged. (It will be completely tightened later.) Be sure to keep power cord tight. Be careful not to pinch the cord, especially when mounting flush to bottom of cabinet.

## 5 Installation

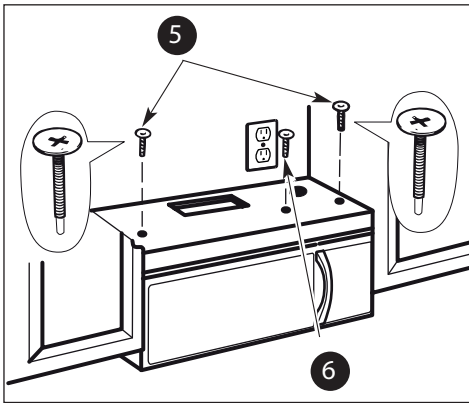
4. Attach the microwave oven to the top cabinet.



7. Tighten the outer two screws to the top of the microwave oven. (While tightening screws, hold the microwave oven in place against the wall and the top cabinet.)



5. Insert 2 self-aligning screws through outer top cabinet holes. Turn two full turns on each screw.

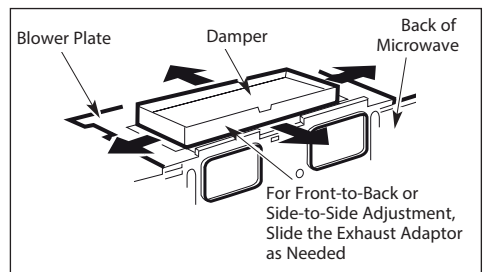


6. Tighten center screw completely.

8. Install grease filters. See the Owner's Manual packed with the microwave.

### A6. Adjust the exhaust adaptor

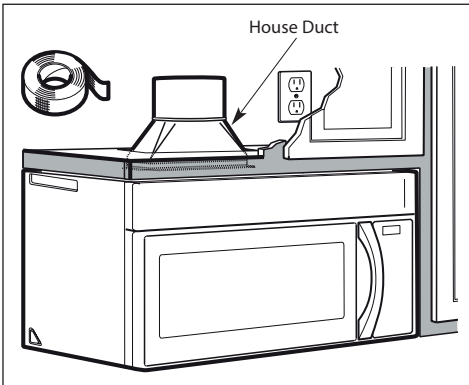
Open the top cabinet and adjust the exhaust adaptor to connect to the house duct.



## 5 Installation

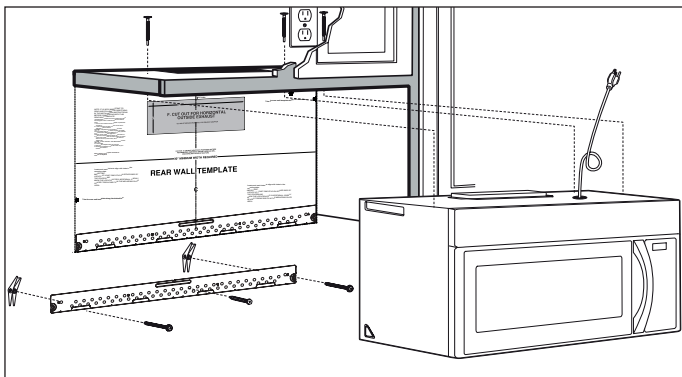
### A7. Connecting ductwork

1. Extend the house duct down to connect to the exhaust adaptor.
2. Seal exhaust duct joints using furnace duct tape for high temperature applications.



## 5 Installation

### 5.2.2 Outside back exhaust (horizontal duct type B)



#### Installation overview

- B1. Prepare Rear Wall
- B2. Remove Blower Plate
- B3. Attach Mounting Plate to Wall
- B4. Prepare Top Cabinet
- B5. Adjust Blower
- B6. Mount the Microwave Oven



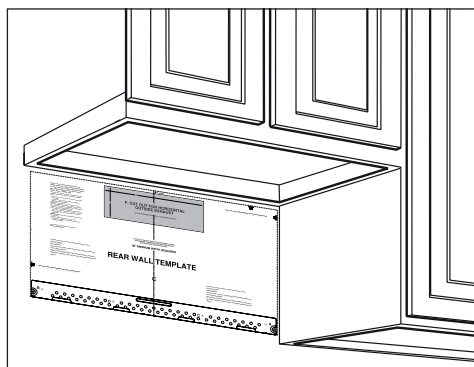
Make sure the screws for the blower motor and blower plate are securely tightened when they are reinstalled. This will help to prevent excessive vibration.



Make sure the motor wiring has been properly routed and secured, and that the wires are not pinched.

#### B1. Preparing the rear wall for outside back exhaust

You need to cut an opening in the rear wall for outside exhaust.

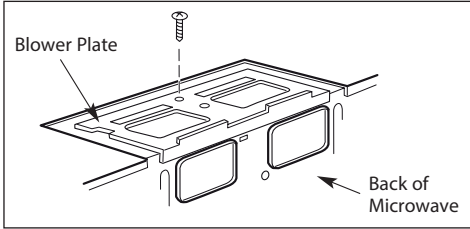


- Read the instructions on the REAR WALL TEMPLATE.
- Tape it to the rear wall, lining up with the holes previously drilled for holes A and B in the wall plate.
- Cut the opening, following the instructions of the REAR WALL TEMPLATE.

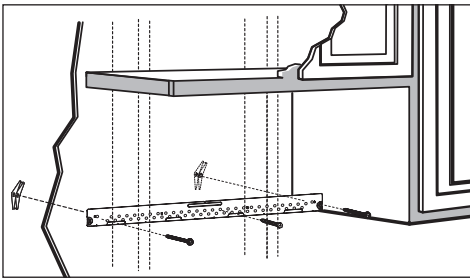
## 5 Installation

### B2. Remove blower plate

Remove and save the screw that holds the blower plate to the microwave. Lift off the blower plate.



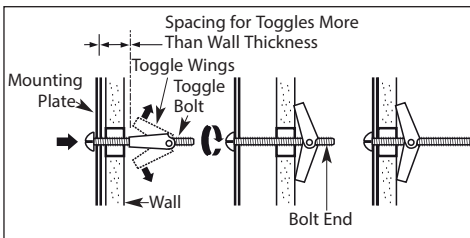
### B3. Attach the mounting plate to the wall



Attach the plate to the wall using toggle bolts. At least one wood screw must be used to attach the plate to a wall stud.

1. Remove the toggle wings from the bolts.
2. Insert the bolts into the mounting plate through the holes designated to go into drywall and reattach the toggle wings to 3/4" (19 mm) onto each bolt.

### To use toggle bolts



3. Place the mounting plate against the wall and insert the toggle wings into the holes in the wall to mount the plate.



Before tightening toggle bolts and wood screw, make sure the tabs on the mounting plate touch the bottom of the cabinet when pushed flush against the wall and that the plate is properly centered under the cabinet.

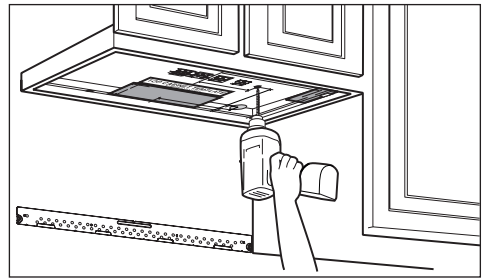


Be careful to avoid pinching fingers between the back of the mounting plate and the wall.

4. Tighten all bolts. Pull the plate away from the wall to help tighten the bolts.

### B4. Use top cabinet template for preparation of top cabinet

You need to drill holes for the top support screws and a hole large enough for the power cord to fit through.



- Read the instructions on the TOP CABINET TEMPLATE.
- Tape it underneath the top cabinet.
- Drill the holes, following the instructions on the TOP CABINET TEMPLATE.



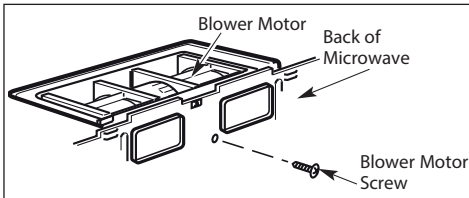
Wear safety goggles when drilling holes in the cabinet bottom.



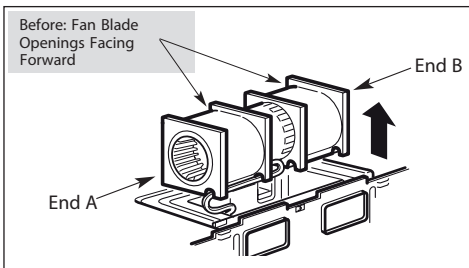
## 5 Installation

### B5. Adapting microwave blower for outside back exhaust

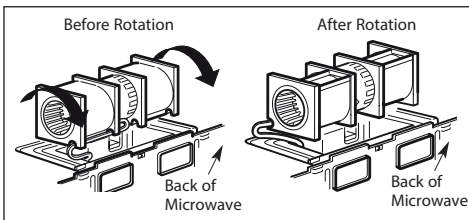
1. Remove and save screw that holds blower motor to microwave.



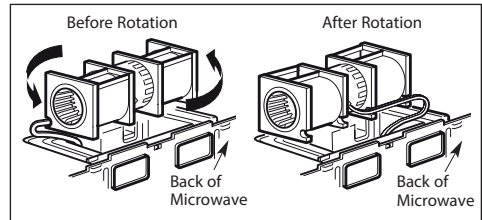
2. Carefully pull out the blower unit. The wires will extend far enough to allow you to adjust the blower unit.



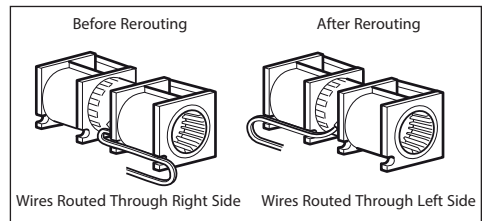
3. Roll the blower unit 90°



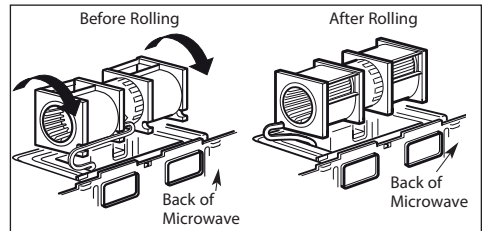
4. Rotate blower unit counterclockwise 180°.



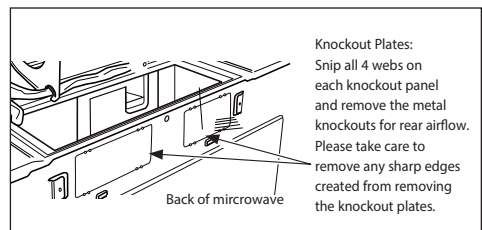
5. Gently remove the wires from the grooves. Reroute the wires through grooves on other side of the blower unit.



6. Roll the blower unit 90° so that fan blade openings are facing out the back of the microwave.



7. Remove the knockout plates in the back of the unit with snips.

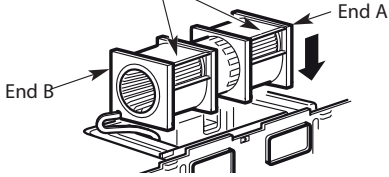


**Knockout Plates:**  
Snip all 4 webs on each knockout panel and remove the metal knockouts for rear airflow. Please take care to remove any sharp edges created from removing the knockout plates.

## 5 Installation

8. Place the blower unit back into the opening.

AFTER: Fan Blade  
Openings Facing Back

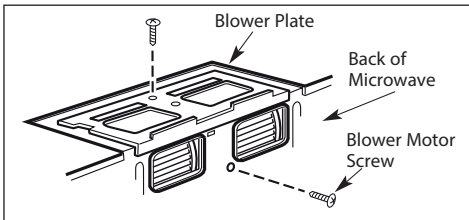


Do not pull or stretch the blower unit wiring. Make sure the wires are not pinched, and that they are properly secured.



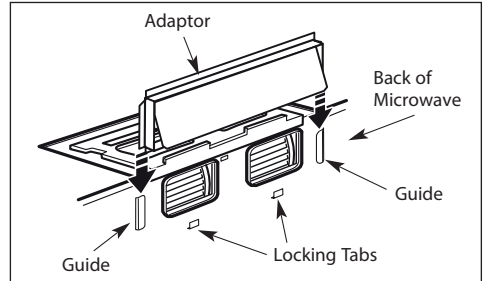
The blower unit exhaust openings should match exhaust openings on rear of microwave oven.

9. Secure the blower unit to the microwave with the original screw.



10. Replace the blower plate in the same position as before with the screw. Make sure the screw is tight

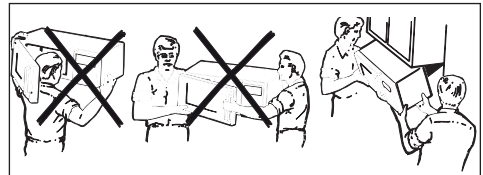
11. Attach the exhaust adaptor to the rear of the oven by sliding it into the guides at the top center of the back of the oven. Push in securely until it is in the lower locking tabs. Take care to assure that the damper hinge is installed so that it is at the top and that the damper swings freely.



### B6. Mount the microwave oven



For easier installation and personal safety, we recommend that two people install this microwave oven.



Do not grip or use handle during installation.



If your cabinet is metal, use the nylon grommet around the power cord hole to prevent cutting of the cord.



We recommend using filler blocks if the cabinet front hangs below the cabinet bottom shelf.

## 5 Installation

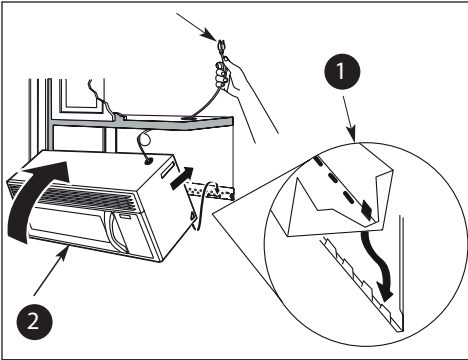


If filler blocks are not used, case damage may occur from overtightening screws.

1. Lift microwave, tilt it forward, and hook slots at back bottom edge onto four lower tabs of mounting plate.

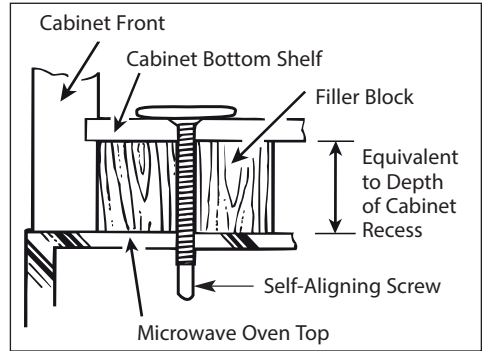


When mounting the microwave oven, thread power cord through hole in bottom of top cabinet. Keep it tight throughout Steps 1-3. Do not pinch cord or lift oven by pulling cord.

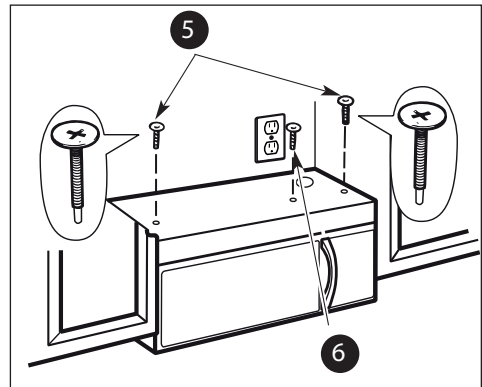


2. Rotate front of oven up against cabinet bottom.
3. Insert a self-aligning screw through top center cabinet hole. Temporarily secure the oven by turning the screw at least two full turns after the threads have engaged. (It will be completely tightened later.) Be sure to keep power cord tight. Be careful not to pinch the cord, especially when mounting flush to bottom of cabinet.

4. Attach the microwave oven to the top cabinet.



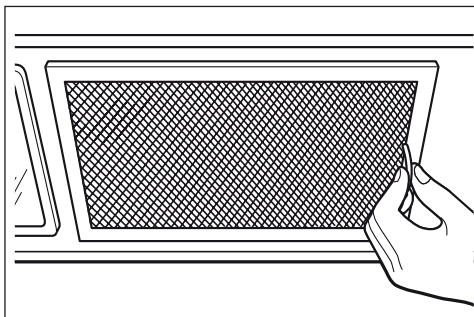
5. Insert 2 self-aligning screws through outer top cabinet holes. Turn two full turns on each screw.



6. Tighten center screw completely.

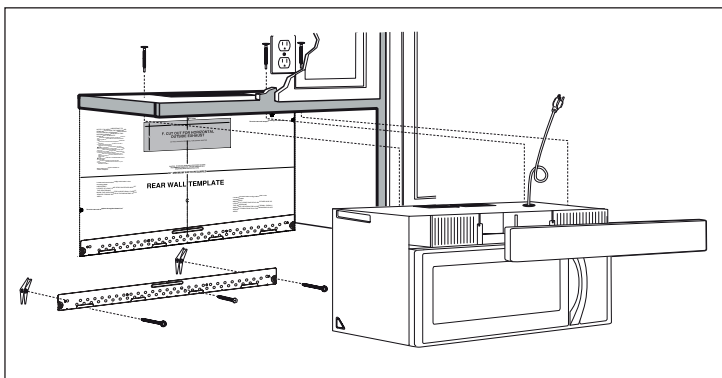
## 5 Installation

7. Tighten the outer two screws to the top of the microwave oven. (While tightening screws, hold the microwave oven in place against the wall and the top cabinet.)



8. Install grease filters. See the Owner's Manual packed with the microwave.

### 5.2.3 Recirculating (non-vented ductless type C)



#### Installation overview

- C1. Attach Mounting Plate to Wall
- C2. Prepare Top Cabinet
- C3. Check Blower Plate
- C4. Mount the Microwave Oven
- C5. Install or change Charcoal Filter



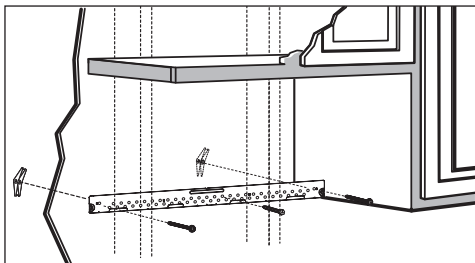
Make sure the screws for the blower motor and blower plate are securely tightened when they are reinstalled. This will help to prevent excessive vibration.

## 5 Installation



Make sure the motor wiring has been properly routed and secured, and that the wires are not pinched.

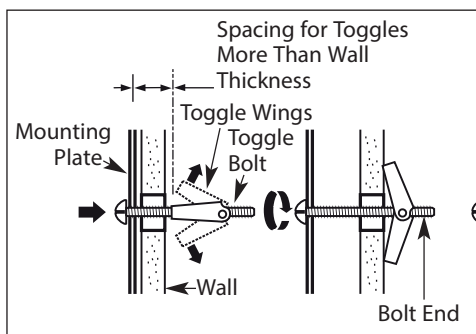
### C1. Attach the mounting plate to the wall



Attach the plate to the wall using toggle bolts. At least one wood screw must be used to attach the plate to a wall stud.

1. Remove the toggle wings from the bolts.
2. Insert the bolts into the mounting plate through the holes designated to go into drywall and reattach the toggle wings to 3/4" (19 mm) onto each bolt.

### To use toggle bolts



3. Place the mounting plate against the wall and insert the toggle wings into the holes in the wall to mount the plate.



Before tightening toggle bolts and wood screw, make sure the tabs on the mounting plate touch the bottom of the cabinet when pushed flush against the wall and that the plate is properly centered under the cabinet.

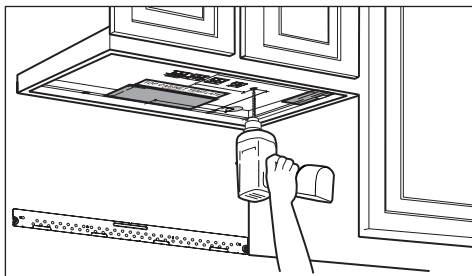


Be careful to avoid pinching fingers between the back of the mounting plate and the wall.

4. Tighten all bolts. Pull the plate away from the wall to help tighten the bolts.

### C2. Use top cabinet template for preparation of top cabinet

You need to drill holes for the top support screws and a hole large enough for the power cord to fit through.



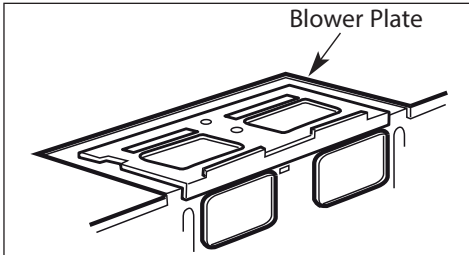
- Read the instructions on the TOP CABINET TEMPLATE.
- Tape it underneath the top cabinet.
- Drill the holes, following the instructions on the TOP CABINET TEMPLATE.



Wear safety goggles when drilling holes in the cabinet bottom.

## 5 Installation

### C3. Check blower plate

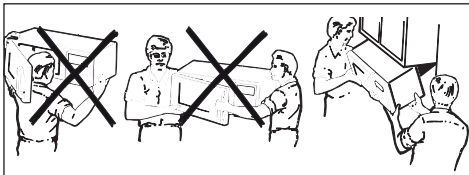


- Place the microwave in its upright position, with the top of the unit facing up.
- Check to see that the blower plate is correctly installed on the unit.

### C4. Mount the microwave oven



For easier installation and personal safety, we recommend that two people install this microwave oven.



Do not grip or use handle during installation.



If your cabinet is metal, use the nylon grommet around the power cord hole to prevent cutting of the cord.



We recommend using filler blocks if the cabinet front hangs below the cabinet bottom shelf.

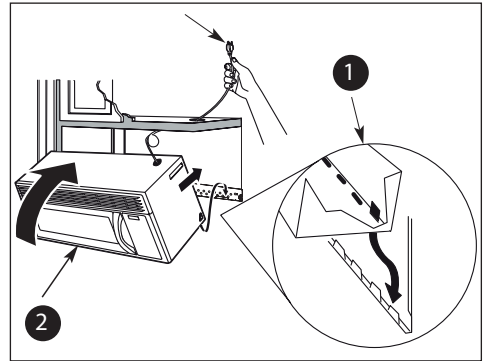


If filler blocks are not used, case damage may occur from overtightening screws.

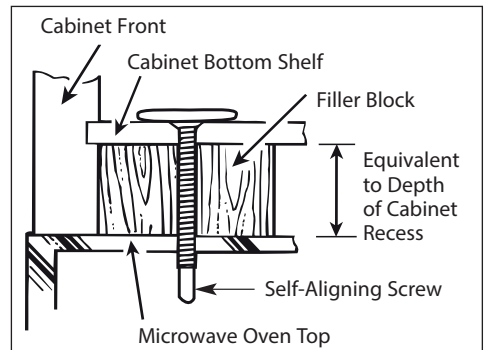
1. Lift microwave, tilt it forward, and hook slots at back bottom edge onto four lower tabs of mounting plate.



When mounting the microwave oven, thread power cord through hole in bottom of top cabinet. Keep it tight throughout Steps 1-3. Do not pinch cord or lift oven by pulling cord.

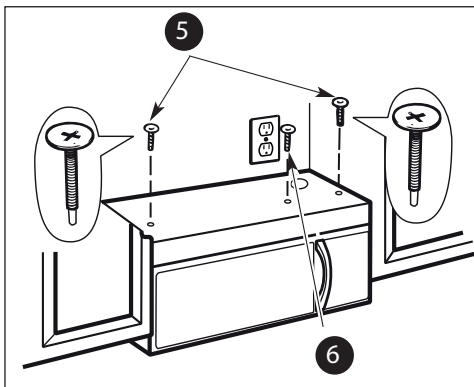


2. Rotate front of oven up against cabinet bottom.
3. Insert a self-aligning screw through top center cabinet hole. Temporarily secure the oven by turning the screw at least two full turns after the threads have engaged. (It will be completely tightened later.) Be sure to keep power cord tight. Be careful not to pinch the cord, especially when mounting flush to bottom of cabinet.
4. Attach the microwave oven to the top cabinet.



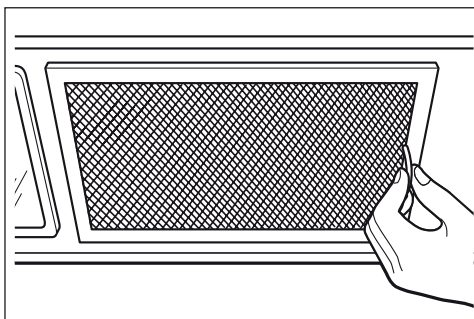
## 5 Installation

5. Insert 2 self-aligning screws through outer top cabinet holes. Turn two full turns on each screw.



6. Tighten center screw completely.

7. Tighten the outer two screws to the top of the microwave oven. (While tightening screws, hold the microwave oven in place against the wall and the top cabinet.)



8. Install grease filters. See the Owner's Manual packed with the microwave.

### C5. Installing or change the charcoal filter

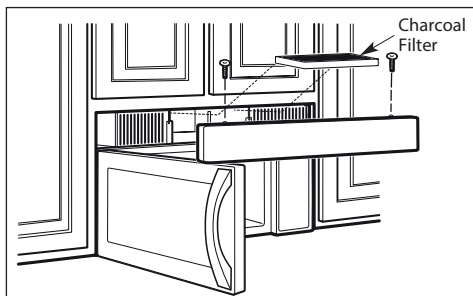


The charcoal filter is factory installed in recirculating models. Follow these steps to replace a filter or to install a filter after converting a vented model to recirculating operation.

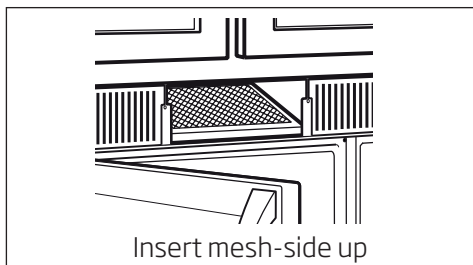
1. Remove screws on top of grille using a #1 Phillips screwdriver.

2. Open the door.

3. Remove the grille. Pull the grille straight off.



4. Install the charcoal filter: Insert filter upper in the unit and then pull down filter. When properly installed, the wire mesh of the filter should be visible from the front.



## 6 How to use the product



Before you use your over the range product;

1. Make sure the product has been installed according to instructions.
2. Remove all packing material from the product.
3. Install turntable ring and glass tray in cavity
4. Replace house fuse or turn breaker back on.
5. Plug power cord into a dedicated 15 amp to 20 amp electrical outlet.
6. Read the user manual.
7. Keep installation instructions for the local inspectors's use.



# Avant d'utiliser l'appareil, veuillez lire ce manuel !


Chère cliente, cher client,

Merci d'avoir choisi les produits Blomberg. Nous espérons que ce produit, fabriqué dans des installations modernes et soumis à un processus de contrôle qualité rigoureux, vous offre les meilleures performances possibles. C'est pourquoi nous vous recommandons, avant d'utiliser ce produit, de lire attentivement ce manuel et tous les autres documents fournis et de les conserver soigneusement pour toute consultation future. Si vous confiez le produit à quelqu'un d'autre, n'oubliez pas de lui remettre également le manuel d'utilisation. Veillez à bien respecter les consignes et les instructions figurant dans le manuel d'utilisation.

## Signification des symboles

Les symboles suivants sont utilisés tout au long de ce manuel :

	Informations importantes et conseils utiles sur l'utilisation de l'appareil.
--	--

	Avertissement sur les situations dangereuses concernant la sécurité des biens et des personnes.
--	---

	Avertissement contre le risque d'électrocution
--	--

	Avertissement en cas de contact avec une surface brûlante.
--	--

## TABLE DES MATIÈRES

<b>1 Consignes importantes</b>	<b>35</b>	5.2.3 Recyclage d'air (évacuation sans conduit de type C).....59	
1.1 Consignes générales de sécurité.....	35		
1.1.1 Sécurité électrique .....	36		
<b>2 Votre four à micro-ondes à convection à hotte intégrée</b>	<b>37</b>	<b>6 Utilisation du produit</b>	<b>63</b>
2.1 Vue d'ensemble.....	37		
2.2 Données techniques .....	37		
<b>3 Dégagements pour l'installation</b>	<b>38</b>		
<b>4 Conduite d'évacuation externe</b>	<b>39</b>		
4.1 Installation de la hotte de ventilation .....	39		
4.1.1 Évacuation à l'extérieur par le dessus (exemple uniquement) .....	39		
4.1.2 Évacuation à l'extérieur par l'arrière (exemple uniquement) .....	40		
4.1.3 Raccordement de l'évacuation au conduit.....	41		
4.1.4 Longueur maximale des conduits.....	41		
4.1.5 Coudes, adaptateurs de transition, événements de toit et muraux, etc. ....	41		
4.2 Dommages -expédition/installation.....	42		
4.3 Pièces comprises .....	42		
4.3.1 Sachet de quincaillerie.....	42		
4.3.2 Pièces supplémentaires.....	43		
4.4 Outils et matériaux nécessaires.....	44		
<b>5 Installation</b>	<b>45</b>		
5.1 Mise en place de la plaque de montage .....	45		
5.1.1 Enlèvement du four à micro-ondes de la boîte/enlèvement de la plaque de montage ...	45		
5.1.2 Localisation des montants .....	45		
5.1.3 Établissement de l'emplacement de la plaque murale sous votre armoire .....	46		
5.1.4 Alignement de la plaque murale.....	47		
5.2 Types d'installation (choisissez A, B ou C). 48			
5.2.1 Évacuation à l'extérieur par le dessus (Type A - conduit vertical).....	48		
5.2.2 Évacuation à l'extérieur par l'arrière (conduit horizontal de type B) .....	54		

# 1 Consignes importantes

## 1.1 Consignes générales de sécurité



Lisez et conservez ces instructions

Cela :

- facilitera l'installation,
- vous aidera à l'avenir si vous avez des questions et
- vous aidera en cas d'inspection du système électrique.

Si vous avez des questions ou besoin de réparations, appelez votre vendeur. Lors de l'appel, ayez soin d'indiquer les numéros de modèle et de série du four à micro-ondes.



### **AVERTISSEMENT :**

Pour réduire les risques d'incendie, de choc électrique ou de blessures, il est important de toujours observer quelques mesures de sécurité de élémentaires, y compris les suivantes :

Veuillez lire toutes les instructions avant d'utiliser l'appareil.

Ce produit nécessite une prise de courant à trois broches mise à la terre.

Avant d'entreprendre l'installation, l'installateur doit vérifier la continuité à la boîte à prises pour s'assurer qu'elle est adéquatement mise à la terre.

Si ce n'est pas le cas, ou si la boîte à prises ne répond pas aux exigences électriques indiquées (à la section EXIGENCES ÉLECTRIQUES), faites appel à un électricien qualifié pour corriger tout défaut.

Pour votre sécurité, retirez le fusible ou déclenchez le disjoncteur avant d'entreprendre l'installation, afin d'éviter toute blessure grave ou mortelle.

Pour votre sécurité, la surface de montage doit être en mesure de supporter la charge des armoires, ainsi qu'un poids supplémentaire de 28,5 à 38,5 kg (63 à 85 livres) correspondant au poids du produit, et la charge du four qui peut atteindre 22,7 kg (50 livres), pour un poids total de 51,3 à 61,2 kg (113 à 135 livres).

Pour votre sécurité, évitez d'installer ce produit sous des armoires aménagées en îlot ou en péninsule. Fixez-le À LA FOIS à une armoire supérieure ET à un mur.

# 1 Consignes importantes

Pour faciliter l'installation et pour votre sécurité, il est recommandé que l'installation de ce produit soit effectuée par deux personnes.

Pour votre sécurité, mettez convenablement cet appareil à la terre pour éviter un choc grave ou mortel. Pour diminuer les risques de choc électrique, le cordon d'alimentation de cet appareil est muni d'une fiche à trois broches (mise à la terre) qui correspond à une prise murale à trois broches (prise dotée d'une mise à la terre).

Ne coupez, ne déformez et ne retirez en aucun cas aucune broche de la fiche du cordon d'alimentation. N'utilisez pas de rallonge électrique.

## 1.1.1 Sécurité électrique

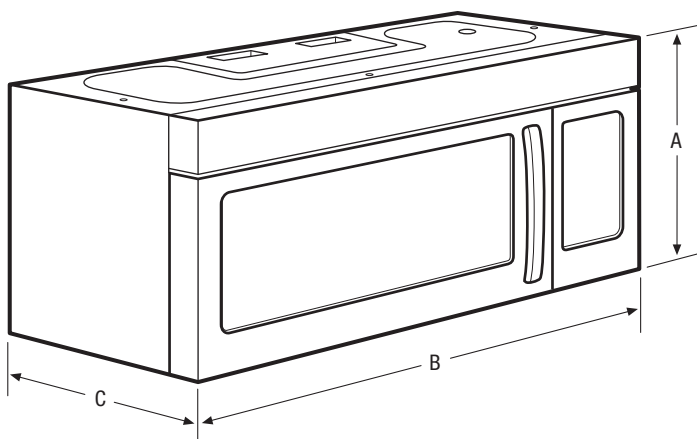
Les caractéristiques nominales du produit sont : 120 volts CA, 60 hertz, 15 ampères et 1 500 watts. Branchez ce produit à un circuit d'alimentation de tension et de fréquence appropriées.

La taille des câbles doit être conforme aux exigences du Code national d'électricité ou du code local en vigueur pour cette puissance nominale.

Branchez la fiche du cordon d'alimentation sur une prise avec mise à la terre de 15 à 20 ampères sur un circuit de dérivation séparé. La boîte à prises doit se trouver dans l'armoire située au-dessus du four à micro-ondes. La boîte à prises et le circuit d'alimentation doivent être installés par un électricien qualifié et respecter le Code national de l'électricité ou le code local en vigueur.

## 2 Votre four à micro-ondes à convection à hotte intégrée

### 2.1 Vue d'ensemble

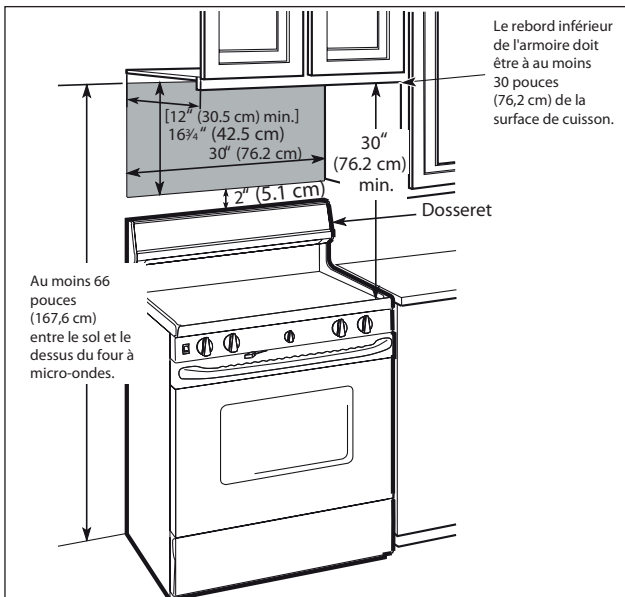


### 2.2 Données techniques

Dimensions du produit	
A-Hauteur	16.4" (41.7 cm)
B-Largeur	29.9" (75.9 cm)
C-Profondeur	15.0" (38.2 cm)

Dimensions de découpe	
Hauteur (Min.)	16.75" (42.5 cm)
Hauteur (Max.)	17.0" (43.2 cm)
Largeur (Min.)	30.0" (76.2 cm)
Profondeur (Min.)	12.0" (30.5 cm)
Profondeur (Max.)	14.0" (35.7 cm)

### 3 Dégagements pour l'installation



Il faut un espace d'au moins 30 po (76,2 cm) entre les armoires, sans obstructions



Si l'évacuation de l'air de votre four à micro-ondes s'effectue vers l'extérieur, consultez la section « Évacuation de la hotte pour la préparation du conduit d'évacuation ».



Lorsque vous installez le four à micro-ondes sous des armoires dont le fond est lisse et plat, suivez attentivement les instructions du gabarit pour armoire supérieure concernant le dégagement du cordon d'alimentation.

## 4 Conduite d'évacuation externe

### 4.1 Installation de la hotte de ventilation






Lisez ces instructions si vous décidez d'évacuer l'air du ventilateur à l'extérieur. Si vous décidez de recycler l'air dans la pièce, rendez-vous au chapitre 5.

#### 4.1.1 Évacuation à l'extérieur par le dessus (exemple uniquement)

Le tableau suivant décrit une façon possible d'installer les conduits.



Pièces des conduits		Longueur équivalente	x	Nombre utilisé	=	Longueur équivalente
	Évent de toiture	24 pi (7,3 m)	x	(1)	=	24 pi (7,3 m)
	12 pi (3,6 m) Conduit droit (rond de 6 po/15,2 cm)	12 pi (3,6 m)	x	(1)	=	12 pi (3,6 m)
	Adaptateur de transition rectangulaire à rond*	5 pi (1,5 m)	x	(1)	=	5 pi (1,5 m)
Les longueurs équivalentes des pièces des conduits sont fondées sur des tests réels et reflètent les exigences à suivre pour une bonne ventilation avec n'importe quelle hotte.				Longueur totale	=	41 pi (12,5 m)

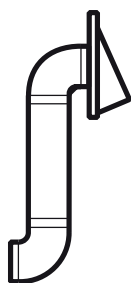





Si vous utilisez un adaptateur de transition rectangulaire à rond, les coins inférieurs du registre devront être coupés aux dimensions de l'adaptateur au moyen des cisailles de ferblantier afin que le registre puisse se déplacer librement.

## 4 Conduite d'évacuation externe

### 4.1.2 Évacuation à l'extérieur par l'arrière (exemple uniquement)

Le tableau suivant décrit une façon possible d'installer les conduits.



Pièces des conduits		Longueur équivalente	x	Nombre utilisé	=	Longueur équivalente
	Évent mural	40 pi (12,2 m)	x	(1)	=	40 pi (12,2 m)
	3 pi Conduit droit (rectangulaire de 3¼ po x 10 po/8.2 x 25,4 cm)	3 pi (0,9 m)	x	(1)	=	3 pi (0,9 m)
	Coude de 90 degrés	10 pi (3 m)	x	(2)	=	20 pi (3 m)
Les longueurs équivalentes des pièces des conduits sont fondées sur des tests réels et reflètent les exigences à suivre pour une bonne ventilation avec n'importe quelle hotte.				Longueur totale	=	63 pi (19,2 m)



Dans le cas d'une évacuation par l'arrière, assurez-vous d'aligner le conduit d'évacuation avec les espaces entre les poteaux muraux ; il est également possible de préparer le mur lors de sa construction en laissant suffisamment d'espace entre les poteaux muraux pour recevoir le conduit.



Si vous devez installer des conduits, veuillez noter que la longueur totale des conduits rectangulaires de 3¼ po x 10 po (8,2 x 25,4 cm) ou ronds de 6 po (15,2 cm) de diamètre ne doit pas dépasser une longueur équivalente de 120 pieds (36,5 m).



L'évacuation à l'extérieur nécessite un CONDUIT D'ÉVACUATION POUR HOTTE. Lisez attentivement les remarques suivantes. Il est important que l'évacuation soit installée en empruntant le chemin le plus direct et en utilisant le moins de coudes possible. Cela permet une évacuation directe de l'air et contribue à éviter les blocages. Assurez-vous également que les registres pivotent librement et que rien n'obstrue les conduits.



## 4 Conduite d'évacuation externe

### 4.1.3 Raccordement de l'évacuation au conduit





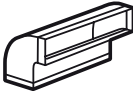
L'évacuation pour hotte a été conçue pour être raccordée à un conduit rectangulaire standard de 3¼ po x 10 (8,2 x 25,4 cm). Si un conduit rond est nécessaire, utilisez un adaptateur de transition rectangulaire à rond. N'utilisez pas de conduit ayant un diamètre inférieur à 6 po (15,2 cm).

### 4.1.4 Longueur maximale des conduits

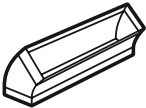
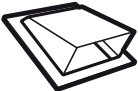

Pour permettre une circulation satisfaisante de l'air, la longueur totale des conduits rectangulaires de 3¼ po x 10 po (8,2 x 25,4 cm) ou ronds de 6 po (15,2 cm) de diamètre ne doit pas dépasser une longueur équivalente de 120 pieds (36,5 m).

### 4.1.5 Coudes, adaptateurs de transition, événements de toit et muraux, etc.

Ces éléments offrent une résistance accrue à la circulation de l'air et sont équivalents à une section de conduit droit plus longue que leurs dimensions physiques réelles. Lorsque vous calculez la longueur totale des conduits, additionnez les longueurs équivalentes de l'ensemble des adaptateurs de transition plus la longueur de toutes les sections de conduit droit. Le tableau ci-dessous vous indique comment calculer la longueur équivalente totale des conduits en utilisant la longueur équivalente en pieds approximative de certains conduits types.

Pièces des conduits		Longueur é q u i v a - lente	x	Nombre utilisé	=	Longueur équivalente
	Adaptateur de transition rectangulaire à rond*	5 pi (1,5 m)	x	( )	=	Pieds ou m
	Évent mural	40 pi (12,2 m)	x	( )	=	Pieds ou m
	Coude de 90 degrés	10 pi (3 m)	x	( )	=	Pieds ou m
	Coude de 45 degrés	Coude de 45 degrés	x	( )	=	Pieds ou m
	Coude de 90 degrés	25 pi (7,6 m)	x	( )	=	Pieds ou m

## 4 Conduite d'évacuation externe

	Coude de 45 degrés	5 pi (1,5 m) x ( )	=	Pieds ou m
	Évent de toiture	24 pi (7,3 m) x ( )	=	Pieds ou m
	Conduit droit rond de 6 po (15,2 cm) ou rectangulaire de 3¼ po x 10 po (8,2 x 25,4 cm)	1 pi (0,3 m) x ( )	=	Pieds ou m
			Longueur totale des conduits	= Pieds ou m



Si vous utilisez un adaptateur de transition rectangulaire à rond, les coins inférieurs du registre devront être coupés aux dimensions de l'adaptateur au moyen des cisailles de ferblantier afin que le registre puisse se déplacer librement.


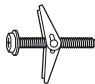


- Si l'appareil est endommagé par l'installateur (s'il s'agit d'une personne différente du client), la réparation ou le remplacement doivent faire l'objet d'une entente entre le client et l'installateur.

### 4.3 Pièces comprises



Dans le cas d'une évacuation par l'arrière, assurez-vous d'aligner le conduit d'évacuation avec les espaces entre les poteaux muraux ; il est également possible de préparer le mur lors de sa construction en laissant suffisamment d'espace entre les poteaux muraux pour recevoir le conduit.

#### 4.3.1 Sachet de quincaillerie

Pièce		Quantité
	Vis à bois (1/4 po x 2 po)	2
	Boulons à ailettes (et écrous à oreilles) (3/16 x 3 po)	2
	Vis à métaux à auto-alignement (1/4 po - 28 x 31/4 po)	3
	Passe-fil en nylon (pour armoires en métal)	1

Vous trouverez les pièces de quincaillerie dans un sachet fourni avec l'appareil. Vérifiez que vous avez reçu toutes ces pièces. Vérifiez que vous disposez de toutes ces pièces.




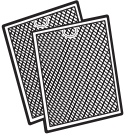
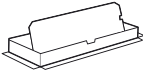


REMARQUE : Des pièces supplémentaires sont incluses.

### 4.2 Dommages -expédition/ installation

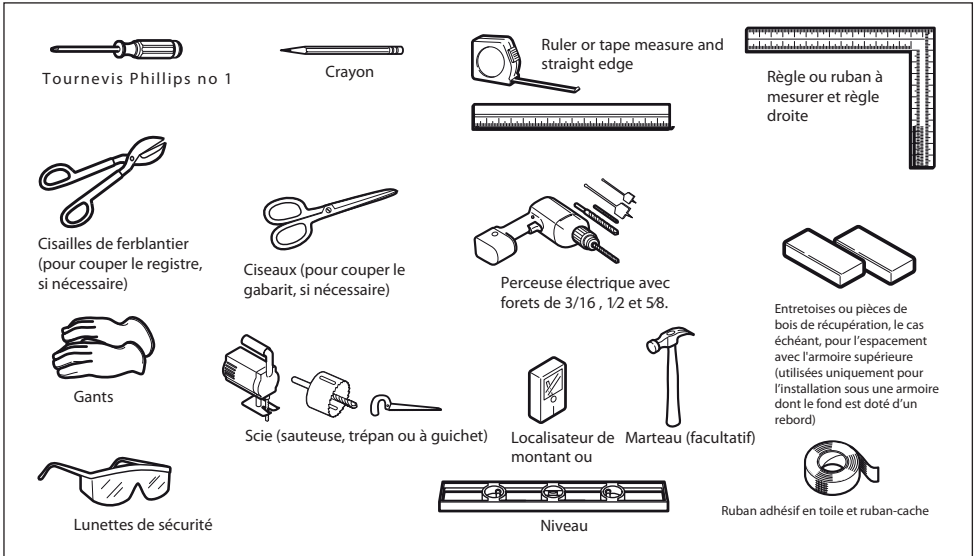
- Si l'appareil est endommagé durant le transport, retournez-le au magasin où vous l'avez acheté pour réparation ou remplacement.
- Si l'appareil est endommagé par le client, la réparation ou le remplacement reste à la charge du client.

## 4 Conduite d'évacuation externe

### 4.3.2 Pièces supplémentaires

Pièce	Quantité
	Gabarit pour armoire supérieure et 1
	Gabarit pour mur arrière 1
	Instructions d'installation 1
	Filtres à graisse emballés séparément 2
	Adaptateur de conduit d'évacuation 1
	Plateau en verre 1
	Anneau de plateau tournant 1
<p>Vous trouverez les pièces de quincaillerie dans un sachet fourni avec l'appareil. Vérifiez que vous avez reçu toutes ces pièces. Vérifiez que vous disposez de toutes ces pièces.</p> <p>REMARQUE : Des pièces supplémentaires sont incluses.</p>	

## 4.4 Outils et matériaux nécessaires

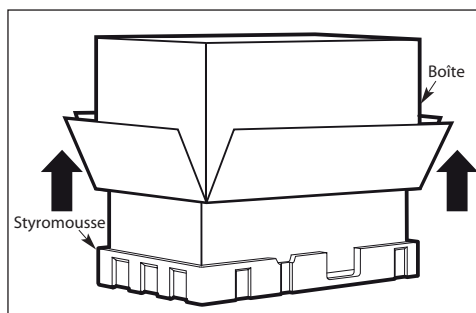


## 5 Installation

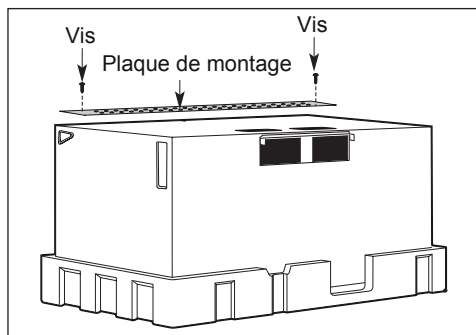
### 5.1 Mise en place de la plaque de montage

#### 5.1.1 Enlèvement du four à micro-ondes de la boîte/enlèvement de la plaque de montage

1. Retirez les directives d'installation, les filtres, le plateau en verre et le sachet de quincaillerie. N'enlevez pas la protection en polystyrène à l'avant du four.
2. Repliez complètement les 4 rabats contre les côtés de la boîte. Ensuite, retournez le four et la boîte avec précaution. Le four devrait reposer sur la styromousse.



3. Tirez la boîte vers le haut pour dégager le four.
4. Coupez le centre du sac en plastique pour retirer la plaque de montage



5. Enlevez les vis de la plaque de montage. Cette plaque sera utilisée comme gabarit pour le mur arrière et pour le montage. Remettez en place les vis retirées préalablement.

#### 5.1.2 Localisation des montants

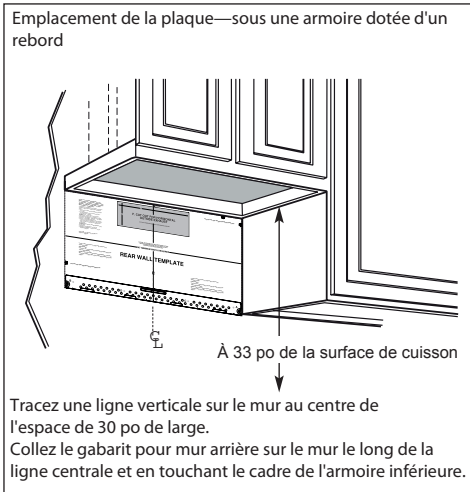
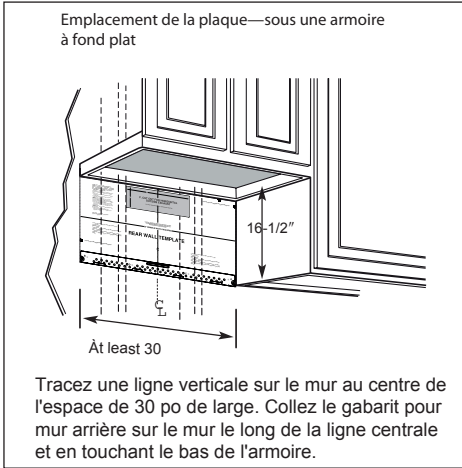
1. Localisez les montants en utilisant une des méthodes suivantes :
  - Localisateur de montant - dispositif magnétique permettant de localiser les clous.
  - Utilisez un marteau pour frapper légèrement sur la surface de montage jusqu'à ce que vous n'entendiez plus un son creux. Cela signifie que vous avez trouvé un montant.
2. Après avoir localisé le(s) montant(s), trouvez-en le centre en sondant le mur à l'aide d'un petit clou afin de trouver les rebords du montant. Puis faites une marque à mi-chemin entre les deux bords. Le centre de tout montant adjacent doit se trouver à 16 po (40,6 cm) ou 24 po (61 cm) de cette marque.
3. Tracez une ligne verticale marquant le milieu des montants.



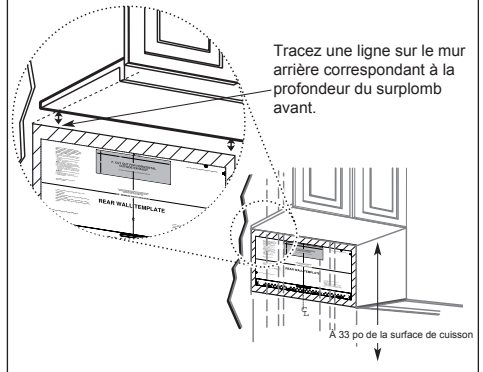
**AVERTISSEMENT :** Le four à micro-ondes doit être fixé à au moins un montant du mur.

## 5 Installation

### 5.1.3 Établissement de l'emplacement de la plaque murale sous votre armoire



Emplacement de la plaque—sous une armoire dont le fond est doté d'un surplomb avant



Vos armoires peuvent être dotées de garnitures décoratives qui entravent l'installation du micro-ondes. Enlevez l'élément décoratif pour installer convenablement le four à micro-ondes et pour vous assurer qu'il est à niveau.

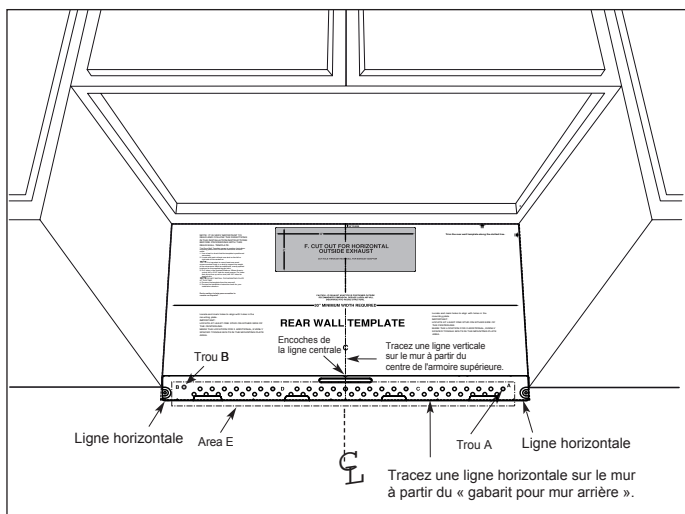
#### **Le four à micro-ondes doit être à niveau.**

Utilisez un niveau pour vous assurer que le fond de l'armoire est à niveau.

Si les armoires sont dotées uniquement d'un rebord avant, sans rebord sur les côtés ou à l'arrière, installez la plaque de montage plus bas, à la même distance que le rebord avant de l'armoire. Ainsi, le four sera à niveau.

1. Mesurez l'épaisseur intérieure du rebord avant de l'armoire.
2. Tracez une ligne horizontale sur le mur arrière, en dessous du fond de l'armoire, à une distance égale à l'épaisseur intérieure du rebord avant de l'armoire.
3. Pour l'installation sous une armoire dotée uniquement d'un rebord avant, alignez les languettes de montage avec cette ligne horizontale, sans toucher le fond de l'armoire, tel que décrit dans le sous-titre 5.1.4.

## 5 Installation



Portez des gants pour éviter de vous blesser sur les bords coupants.

### 5.1.4 Alignement de la plaque murale

1. Tracez une ligne verticale sur le mur au centre de l'espace de 30 po de large.
2. Tracez une ligne horizontale sur le mur de fond du « Gabarit pour mur arrière ».
3. Percez des trous de 5/8 po à deux endroits (Trou A, Trou B). S'il y a un montant, percez un trou de 3/16 po pour les vis à bois. En d'autres mots, vous ne pouvez pas utiliser les boulons à ailettes à l'emplacement d'un montant.



Les trous A et B sont situés à l'intérieur de la zone E. Si aucun des trous A et B ne se trouvent dans un montant, trouvez un montant à un autre endroit de la zone E et tracez un quatrième cercle aligné sur ce montant. Il est important qu'au moins une vis à bois soit bien fixée dans un montant pour soutenir le poids du micro-ondes. Mettez la plaque de montage de côté.



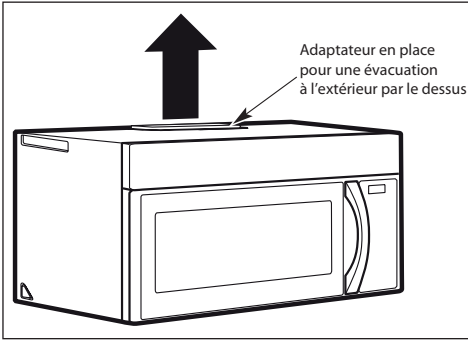
NE FIXEZ PAS LA PLAQUE DE MONTAGE MAINTENANT.

## 5 Installation

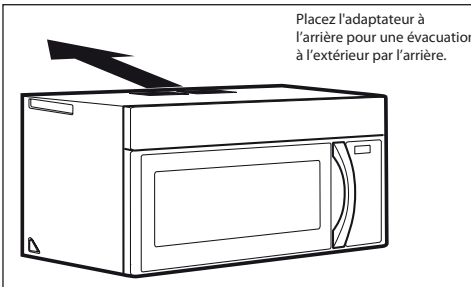
### 5.2 Types d'installation (choisissez A, B ou C)

Ce four à micro-ondes est conçu pour s'adapter aux trois types d'évacuation suivants :

- Évacuation à l'extérieur par le dessus (Type A - conduit vertical)



- Évacuation à l'extérieur par l'arrière (Type B - conduit horizontal)



- Recyclage d'air (Type C - évacuation sans conduit)



Ce four à micro-ondes est équipé à l'usine en vue d'un Recyclage. Choisissez le type d'évacuation approprié à votre installation et rendez-vous à cette section.

#### 5.2.1 Évacuation à l'extérieur par le dessus (Type A - conduit vertical)

##### Vue d'ensemble de l'installation

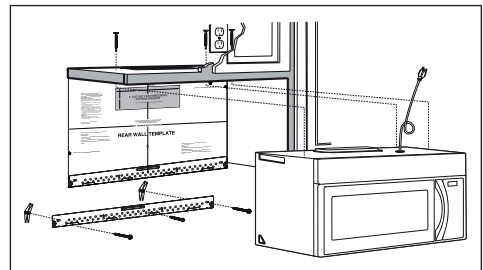
- A1 : Fixation de la plaque de montage au mur
- A2 : Préparation de l'armoire supérieure
- A3 : Adaptation du ventilateur du four à micro-ondes pour
- A4 : Vérification du fonctionnement du registre
- A5 : Installation du four à micro-ondes
- A6 : Ajustement de l'adaptateur d'évacuation
- A7 : Connexion au conduit



Assurez-vous que les vis du moteur du ventilateur et de la plaque du ventilateur sont correctement serrées lorsque vous les remettez en place. Cela permet d'éviter des vibrations excessives.



Assurez-vous que le câblage du moteur a été effectué et correctement fixé, et que les câbles ne sont pas coincés.



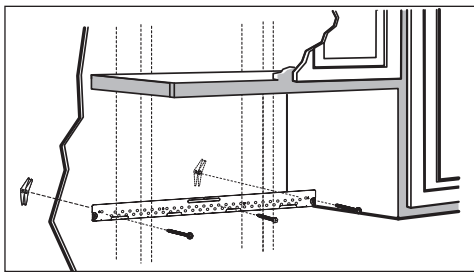


## 5 Installation

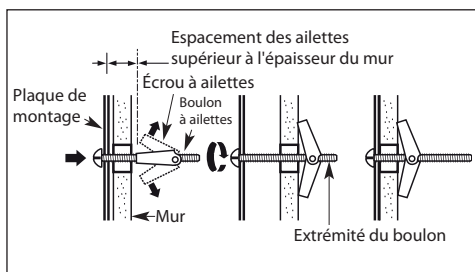
### A1. Fixation de la plaque de montage au mur

Fixez la plaque au mur à l'aide des boulons à ailettes. Utilisez au moins une vis à bois pour fixer la plaque à un montant.

1. Retirez les ailettes des boulons.
2. Insérez les boulons dans la plaque de montage à travers les trous prévus dans le placoplâtre et resserrez les écrous à ailettes à 3/4 po. (19 mm) sur chaque boulon.



Pour utiliser les boulons à ailettes :



3. Placez la plaque de montage contre le mur et insérez les boulons à ailettes dans les trous du mur pour la fixer.



Avant de resserrer les boulons à ailettes et la vis à bois, assurez-vous que les languettes de la plaque de montage touchent le fond de l'armoire lorsque vous poussez la plaque contre le mur et que la plaque est bien centrée sous l'armoire.

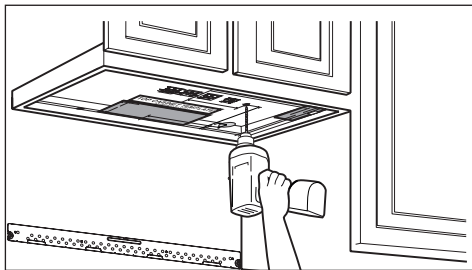


Veillez à ne pas pincer vos doigts entre l'arrière de la plaque de montage et le mur.

4. Serrez tous les boulons. Éloignez la plaque du mur pour faciliter le serrage des boulons.

### A2. Utilisez le gabarit supérieur pour la préparation de l'armoire supérieure

Vous devez percer des trous pour les vis de soutien supérieure et un trou assez large pour y faire passer le cordon d'alimentation, ainsi qu'une ouverture assez grande pour l'adaptateur d'évacuation.



- Lisez les instructions relatives au GABARIT POUR ARMOIRE SUPÉRIEURE.
- Collez-le sous l'armoire supérieure.
- Percez les trous conformément aux instructions relatives au GABARIT POUR ARMOIRE SUPÉRIEURE.

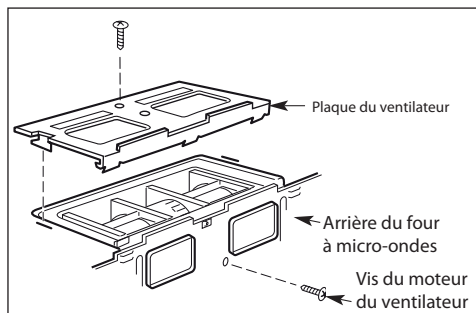


Portez des lunettes de sécurité lorsque vous percez des trous au fond de l'armoire.

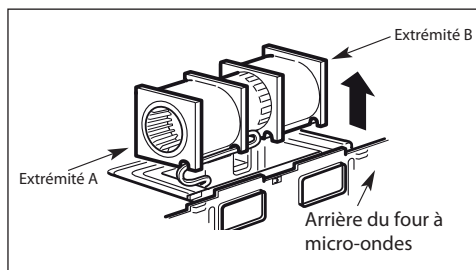
## 5 Installation

### A3. Adaptation du ventilateur du four à micro-ondes pour l'évacuation à l'extérieur par le dessus

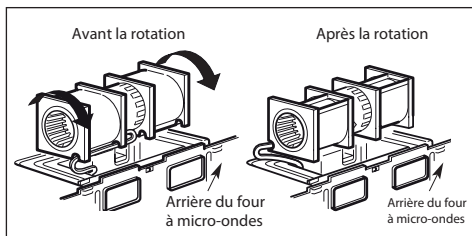
1. Placez le four à micro-ondes en position verticale avec le dessus de l'appareil orienté vers le haut. Retirez la vis qui maintient la plaque du ventilateur à l'appareil. Retirez la vis qui maintient la plaque du ventilateur au moteur du ventilateur et conservez-la.



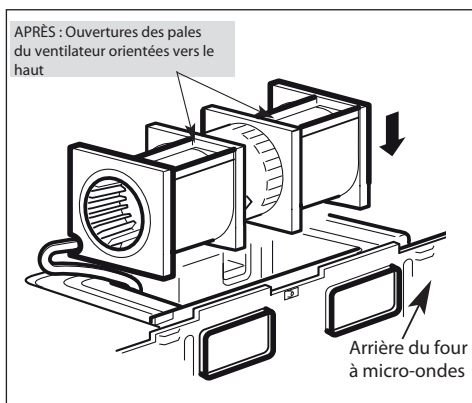
2. Tirez sur le ventilateur avec précaution. Les câbles sont assez longs pour vous permettre d'ajuster le ventilateur.



3. Tournez le ventilateur de 90° de façon à orienter les ouvertures des pales du ventilateur vers le dessus de l'appareil.

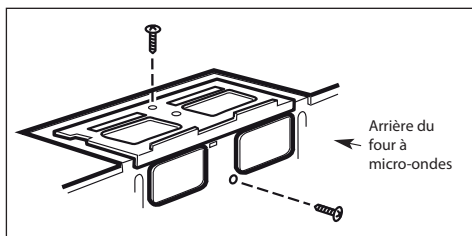


4. Remplacez l'ensemble du ventilateur dans l'ouverture.



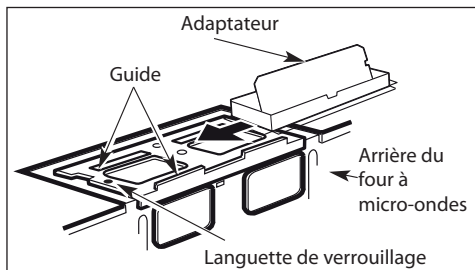
5. Fixez le ventilateur au four à micro-ondes à l'aide de la vis retirée à l'étape 1. Assurez-vous que la vis est bien serrée.

6. Remplacez la plaque du ventilateur à l'aide de la vis retirée à l'étape 1. Assurez-vous que la vis est bien serrée.

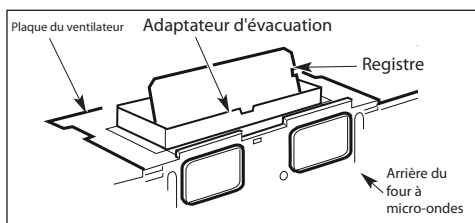


## 5 Installation

7. Fixez l'adaptateur d'évacuation au-dessus de la plaque du ventilateur en le couissant dans les guides de la plaque du ventilateur. Poussez-le convenablement jusqu'à ce qu'il s'insère dans les fentes de blocage. Assurez-vous que la charnière du registre est installée et que le registre bouge librement.

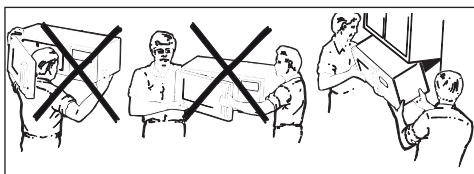


### A4. Vérification du fonctionnement du registre



- Assurez-vous que le ruban adhésif qui retient le registre a été enlevé et que le registre bouge librement avant d'installer le four.
- Vous devez effectuer les ajustements nécessaires pour vous assurer que le conduit du four est bien aligné sur le conduit d'évacuation du domicile après l'installation du four.

### A5. Installation du four à micro-ondes



Pour faciliter l'installation et pour votre sécurité, l'installation de ce produit doit être effectuée par deux personnes.



Ne tenez pas la poignée et ne l'utilisez pas pendant l'installation.



Si votre armoire est en métal, installez le passe-fil en nylon autour du trou prévu pour le cordon d'alimentation pour éviter que le cordon ne se coupe.



Si le four est installé sous une armoire dotée d'un rebord avant, nous vous recommandons d'utiliser des entretoises.



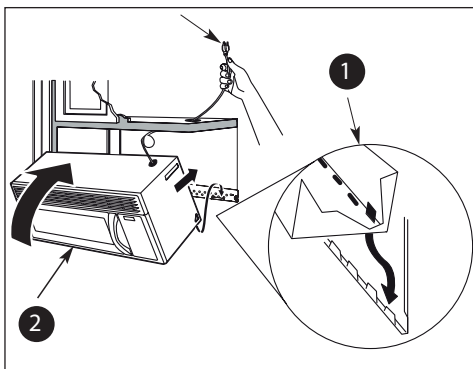
Si vous n'utilisez pas d'entretoises, le boîtier peut subir des dommages si les vis sont trop serrées.

1. Soulevez le four à micro-ondes, inclinez-le vers l'avant et glissez les fentes qui se trouvent sur le rebord arrière inférieur sur les quatre languettes inférieures de la plaque de montage.
2. Tournez l'avant du four vers le haut de telle sorte qu'il s'adosse contre le fond de l'armoire.

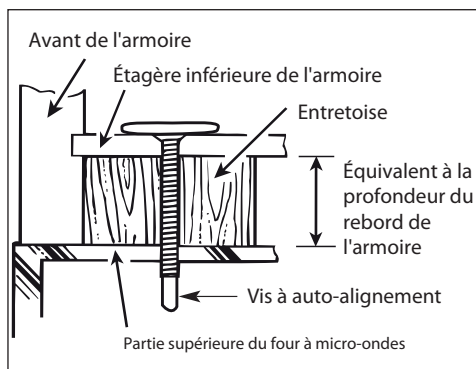


Lors du montage du four à micro-ondes, faites passer le cordon d'alimentation dans le trou situé au fond de l'armoire supérieure. Gardez-le bien tendu durant les étapes 1 à 3. Ne coincez pas le cordon et ne vous en servez pas pour soulever le four.

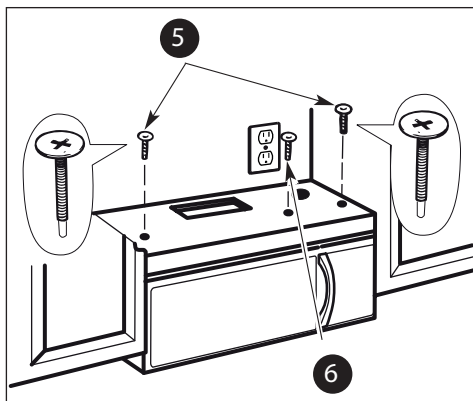
## 5 Installation



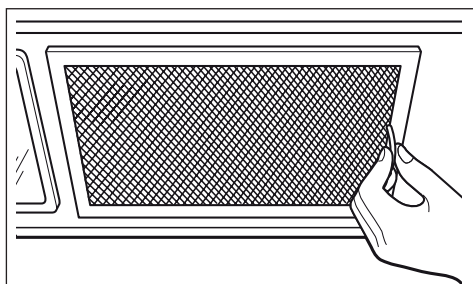
3. Insérez une vis à auto-alignement dans le trou situé au centre de l'armoire supérieure. Fixez temporairement le four en effectuant deux rotations complètes de la vis après l'engagement des filetages. (Vous le serrerez complètement plus tard.) Assurez-vous que le cordon d'alimentation est bien serré. Veillez à ne pas le coincer, surtout lors d'un montage affleurant le fond de l'armoire.
4. Fixez le four à micro-ondes à l'armoire supérieure.



5. Insérez 2 vis à auto-alignement dans les trous situés à l'extérieur de l'armoire supérieure. Effectuez deux rotations complètes de chaque vis.



6. Serrez complètement la vis centrale.
7. Serrez les deux vis extérieures qui se trouvent sur la partie supérieure du four à micro-ondes. (Lorsque vous serrez les vis, maintenez le four à micro-ondes contre le mur et l'armoire supérieure.)

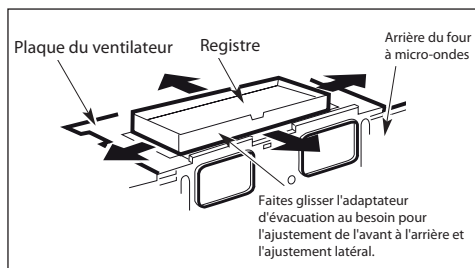


8. Installez les filtres à graisse. Reportez-vous au manuel d'utilisation qui accompagne le four à micro-ondes.

## 5 Installation

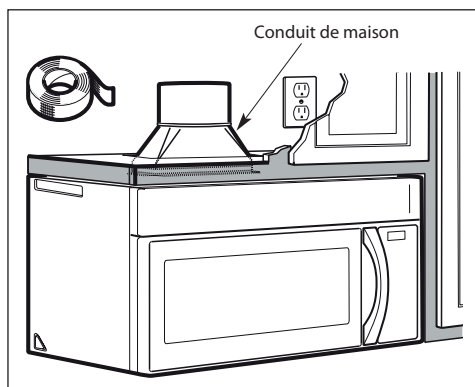
### A6. Ajustement de l'adaptateur d'évacuation

Ouvrez l'armoire supérieure et ajustez l'adaptateur d'évacuation pour le raccorder au conduit d'évacuation du domicile.



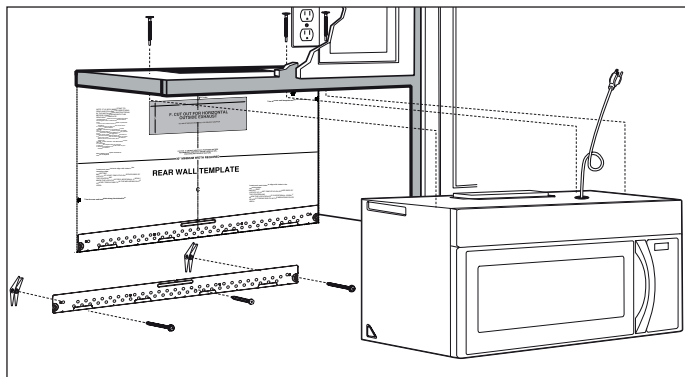
### A7. Connexion au conduit

1. Tirez sur le conduit du domicile pour le raccorder à l'adaptateur d'évacuation.
2. Scellez les joints du conduit d'évacuation à l'aide de ruban adhésif en toile approprié pour des températures élevées.



## 5 Installation

### 5.2.2 Évacuation à l'extérieur par l'arrière (conduit horizontal de type B)



#### Vue d'ensemble de l'installation

- B1. Préparation du mur arrière
- B2. Retrait de la plaque du ventilateur
- B3. Fixation de la plaque de montage au mur
- B4. Préparation de l'armoire supérieure
- B5. Ajustement du ventilateur
- B6. Installation du four à micro-ondes



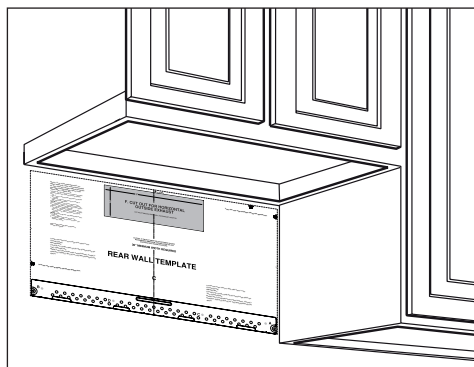
Assurez-vous que les vis du moteur du ventilateur et de la plaque du ventilateur sont correctement serrées lorsque vous les remettez en place. Cela permet d'éviter des vibrations excessives.



Assurez-vous que le câblage du moteur a été effectué et correctement fixé, et que les câbles ne sont pas coincés.

#### B1. Préparation du mur arrière pour l'évacuation à l'extérieur

Vous devez percer une ouverture dans le mur arrière pour l'évacuation à l'extérieur.

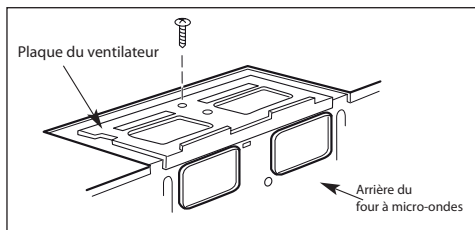


- Lisez les instructions relatives au GABARIT POUR MUR ARRIÈRE.
- Collez-le au mur arrière avec du ruban adhésif, en l'alignant sur les trous préalablement percés pour les trous A et B de la plaque de montage.
- Percez l'ouverture conformément aux instructions sur le GABARIT POUR MUR ARRIÈRE.

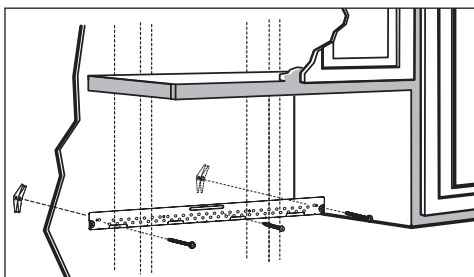
## 5 Installation

### B2. Retrait de la plaque du ventilateur

Retirez la vis qui maintient la plaque du ventilateur à l'appareil et conservez-les. Soulevez la plaque du ventilateur.



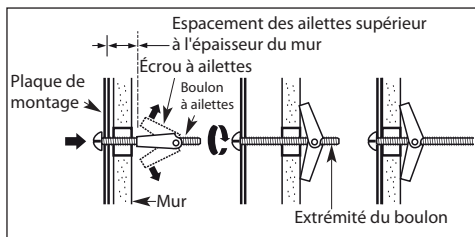
### B3. Fixation de la plaque de montage au mur



Fixez la plaque au mur à l'aide des boulons à ailettes. Utilisez au moins une vis à bois pour fixer la plaque à un montant.

1. Retirez les ailettes des boulons.
2. Insérez les boulons dans la plaque de montage à travers les trous prévus dans le placoplâtre et resserrez les écrous à ailettes à 3/4 po. (19 mm) sur chaque boulon.

### Pour utiliser les boulons à ailettes :



3. Placez la plaque de montage contre le mur et insérez les boulons à ailettes dans les trous du mur pour la fixer.



Avant de resserrer les boulons à ailettes et la vis à bois, assurez-vous que les languettes de la plaque de montage touchent le fond de l'armoire lorsque vous poussez la plaque contre le mur et que la plaque est bien centrée sous l'armoire.

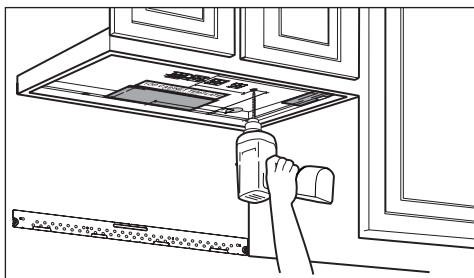


Veillez à ne pas pincer vos doigts entre l'arrière de la plaque de montage et le mur.

4. Serrez tous les boulons. Éloignez la plaque du mur pour faciliter le serrage des boulons.

### B4. Utilisez le gabarit supérieur pour la préparation de l'armoire supérieure

Vous devez percer des trous pour les vis de soutien supérieures et un trou assez large pour y faire passer le cordon d'alimentation.



- Lisez les instructions relatives au GABARIT POUR ARMOIRE SUPÉRIEURE.
- Collez-le sous l'armoire supérieure.
- Percez les trous conformément aux instructions relatives au GABARIT POUR ARMOIRE SUPÉRIEURE.

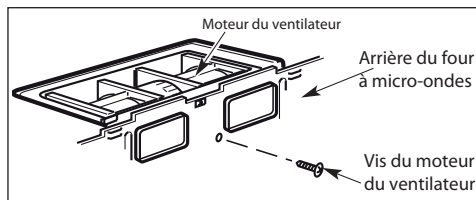


Portez des lunettes de sécurité lorsque vous percez des trous au fond de l'armoire.

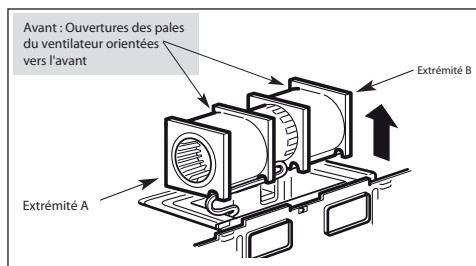
## 5 Installation

### B5. Adaptation du ventilateur du four à micro-ondes pour l'évacuation à l'extérieur par l'arrière

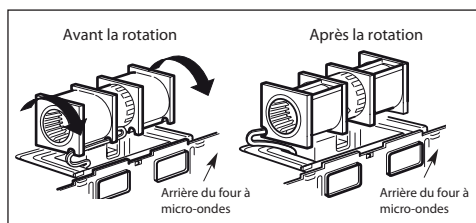
1. Retirez la vis qui maintient le moteur du ventilateur à l'appareil et conservez-les.



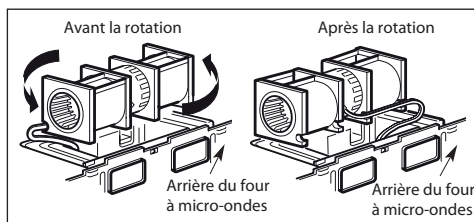
2. Tirez sur le ventilateur avec précaution. Les câbles sont assez longs pour vous permettre d'ajuster le ventilateur.



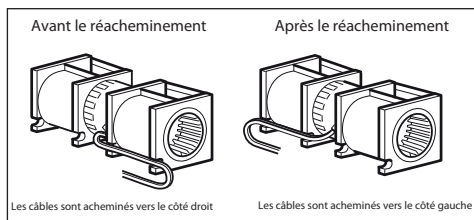
3. Tournez l'ensemble du ventilateur de 90°



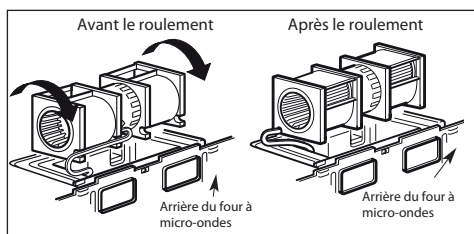
4. Retournez l'ensemble du ventilateur dans le sens antihoraire sur 180°.



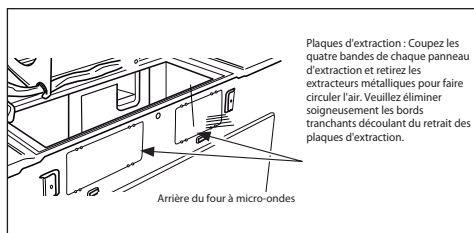
5. Retirez délicatement les câbles des encoches. Remplacez les câbles dans les encoches de l'autre côté de l'ensemble du ventilateur.



6. Tournez l'ensemble du ventilateur de 90° de façon à orienter les ouvertures des pales du ventilateur vers l'arrière de l'appareil.



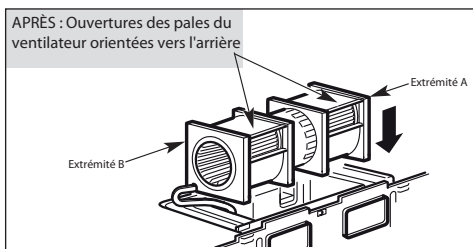
7. Retirez les plaques d'extension à l'arrière de l'appareil à l'aide des cisailles.





## 5 Installation

8. Remplacez l'ensemble du ventilateur dans l'ouverture.

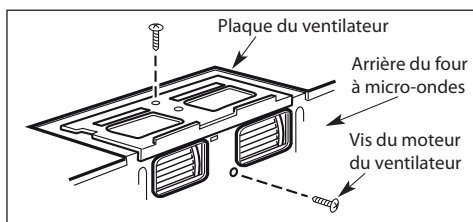


Ne tirez pas sur les câbles de l'ensemble du ventilateur et ne les étirez pas. Assurez-vous que les câbles ne sont pas coincés et qu'ils sont fixés solidement.



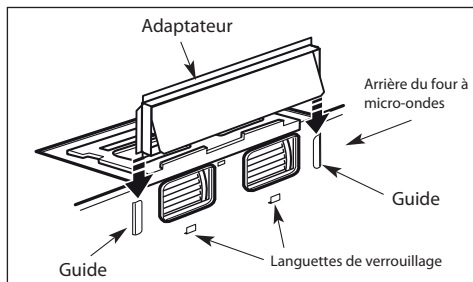
Les ouvertures de l'ensemble du ventilateur doivent correspondre aux ouvertures de ventilation à l'arrière du four à micro-ondes.

9. Fixez l'ensemble du ventilateur à l'appareil à l'aide de la vis d'origine.



10. Remplacez la plaque du ventilateur à sa position initiale à l'aide de la vis. Assurez-vous que la vis est bien serrée

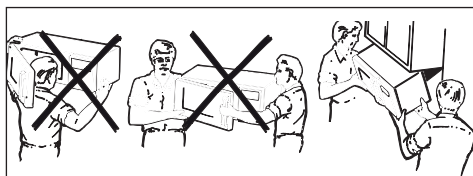
11. Fixez l'adaptateur d'évacuation à l'arrière du four en le couissant dans les guides situés au centre, à la partie supérieure arrière du four. Poussez-le convenablement jusqu'à ce qu'il s'insère dans les fentes de blocage. Assurez-vous que la charnière du registre est installée sur le dessus et que le registre bouge librement.



## B6. Installation du four à micro-ondes



Pour faciliter l'installation et pour votre sécurité, l'installation de ce produit doit être effectuée par deux personnes.



Ne tenez pas la poignée et ne l'utilisez pas pendant l'installation.



Si votre armoire est en métal, installez le passe-fil en nylon autour du trou prévu pour le cordon d'alimentation pour éviter que le cordon ne se coupe.



Si le four est installé sous une armoire dotée d'un rebord avant, nous vous recommandons d'utiliser des entretoises.

## 5 Installation

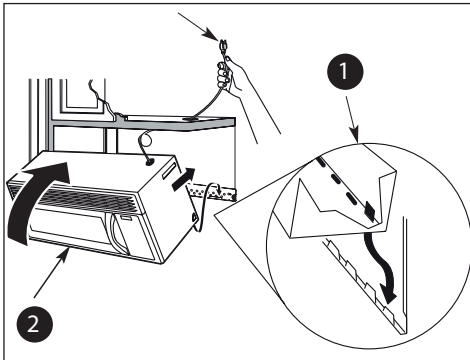


Si vous n'utilisez pas d'entretoises, le boîtier peut subir des dommages si les vis sont trop serrées.

1. Soulevez le four à micro-ondes, inclinez-le vers l'avant et glissez les fentes qui se trouvent sur le rebord arrière inférieur sur les quatre languettes inférieures de la plaque de montage.

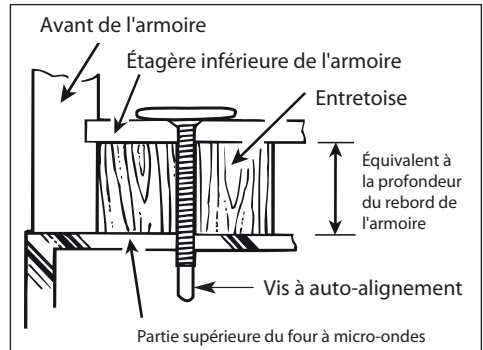


Lors du montage du four à micro-ondes, faites passer le cordon d'alimentation dans le trou situé au fond de l'armoire supérieure. Gardez-le bien tendu durant les étapes 1 à 3. Ne coincez pas le cordon et ne vous en servez pas pour soulever le four.

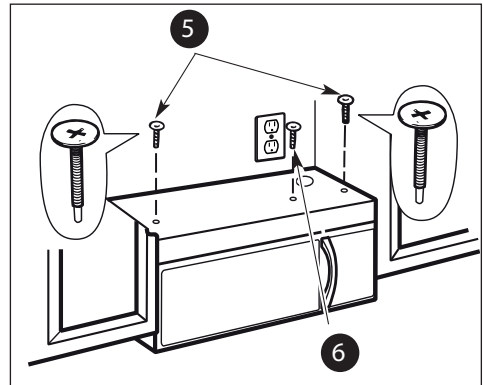


2. Tournez l'avant du four vers le haut de telle sorte qu'il s'adosse contre le fond de l'armoire.
3. Insérez une vis à auto-alignement dans le trou situé au centre de l'armoire supérieure. Fixez temporairement le four en effectuant deux rotations complètes de la vis après l'engagement des filetages. (Vous le serrerez complètement plus tard.) Assurez-vous que le cordon d'alimentation est bien serré. Veillez à ne pas le coincer, surtout lors d'un montage affleurant le fond de l'armoire.

4. Fixez le four à micro-ondes à l'armoire supérieure.



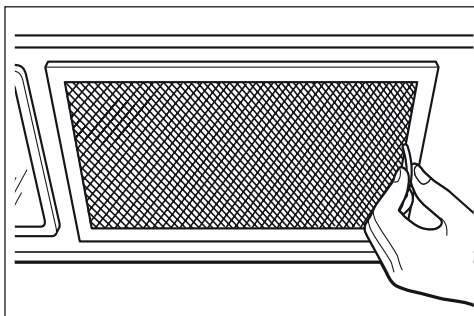
5. Insérez 2 vis à auto-alignement dans les trous situés à l'extérieur de l'armoire supérieure. Effectuez deux rotations complètes de chaque vis.



6. Serrez complètement la vis centrale.

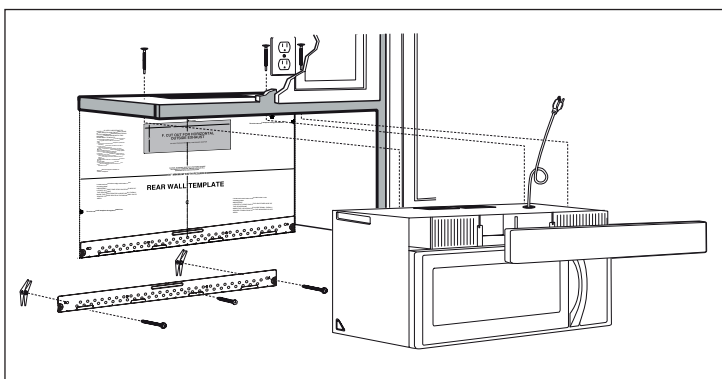
## 5 Installation

7. Serrez les deux vis extérieures qui se trouvent sur la partie supérieure du four à micro-ondes. (Lorsque vous serrez les vis, maintenez le four à micro-ondes contre le mur et l'armoire supérieure.)



8. Installez les filtres à graisse. Reportez-vous au manuel d'utilisation qui accompagne le four à micro-ondes.

### 5.2.3 Recyclage d'air (évacuation sans conduit de type C)



#### Vue d'ensemble de l'installation

- C1. Fixation de la plaque de montage au mur
- C2. Préparation de l'armoire supérieure
- C3. Vérification de la plaque du ventilateur
- C4. Installation du four à micro-ondes
- C5. Installation ou changement du filtre à charbon



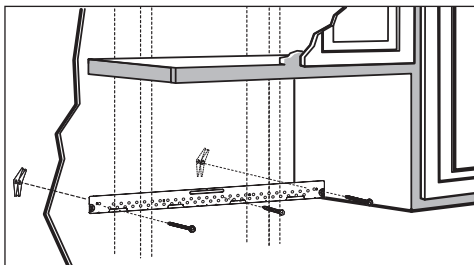
Assurez-vous que les vis du moteur du ventilateur et de la plaque du ventilateur sont correctement serrées lorsque vous les remettez en place. Cela permet d'éviter des vibrations excessives.

## 5 Installation



Assurez-vous que le câblage du moteur a été effectué et correctement fixé, et que les câbles ne sont pas coincés.

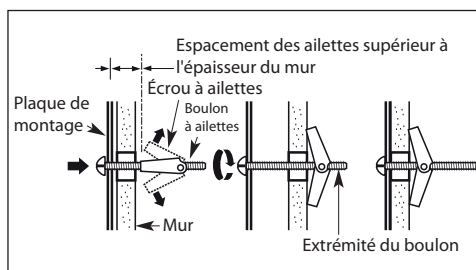
### C1. Fixation de la plaque de montage au mur



Fixez la plaque au mur à l'aide des boulons à ailettes. Utilisez au moins une vis à bois pour fixer la plaque à un montant.

1. Retirez les ailettes des boulons.
2. Insérez les boulons dans la plaque de montage à travers les trous prévus dans le placoplâtre et resserez les écrous à ailettes à 3/4 po. (19 mm) sur chaque boulon.

### Pour utiliser les boulons à ailettes :



3. Placez la plaque de montage contre le mur et insérez les boulons à ailettes dans les trous du mur pour la fixer.



Avant de resserrer les boulons à ailettes et la vis à bois, assurez-vous que les languettes de la plaque de montage touchent le fond de l'armoire lorsque vous poussez la plaque contre le mur et que la plaque est bien centrée sous l'armoire.

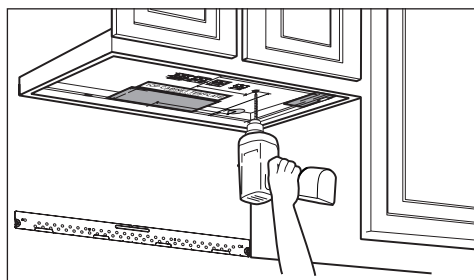


Veillez à ne pas pincer vos doigts entre l'arrière de la plaque de montage et le mur.

4. Serrez tous les boulons. Éloignez la plaque du mur pour faciliter le serrage des boulons.

### C2. Utilisez le gabarit supérieur pour la préparation de l'armoire supérieure

Vous devez percer des trous pour les vis de soutien supérieures et un trou assez large pour y faire passer le cordon d'alimentation.



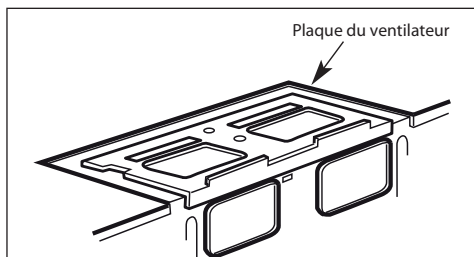
- Lisez les instructions relatives au GABARIT POUR ARMOIRE SUPÉRIEURE.
- Collez-le sous l'armoire supérieure.
- Percez les trous conformément aux instructions relatives au GABARIT POUR ARMOIRE SUPÉRIEURE.



Portez des lunettes de sécurité lorsque vous percez des trous au fond de l'armoire.

## 5 Installation

### C3. Vérifiez la plaque du ventilateur

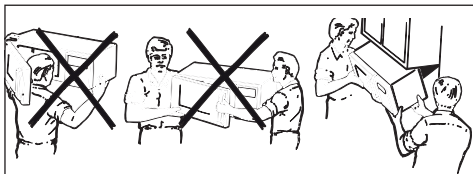


- Placez le four à micro-ondes en position verticale avec le dessus de l'appareil orienté vers le haut.
- Vérifiez pour voir si la plaque du ventilateur est correctement fixée à l'appareil.

### C4. Installation du four à micro-ondes



Pour faciliter l'installation et pour votre sécurité, l'installation de ce produit doit être effectuée par deux personnes.



Ne tenez pas la poignée et ne l'utilisez pas pendant l'installation.



Si votre armoire est en métal, installez le passe-fil en nylon autour du trou prévu pour le cordon d'alimentation pour éviter que le cordon ne se coupe.



Si le four est installé sous une armoire dotée d'un rebord avant, nous vous recommandons d'utiliser des entretoises.

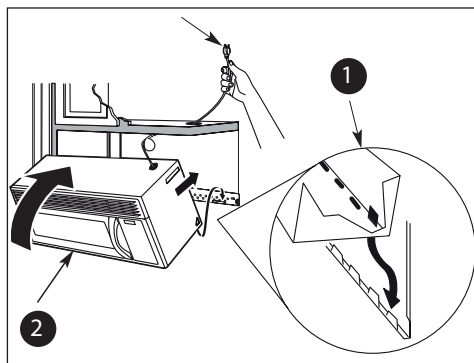


Si vous n'utilisez pas d'entretoises, le boîtier peut subir des dommages si les vis sont trop serrées.

1. Soulevez le four à micro-ondes, inclinez-le vers l'avant et glissez les fentes qui se trouvent sur le rebord arrière inférieur sur les quatre languettes inférieures de la plaque de montage.

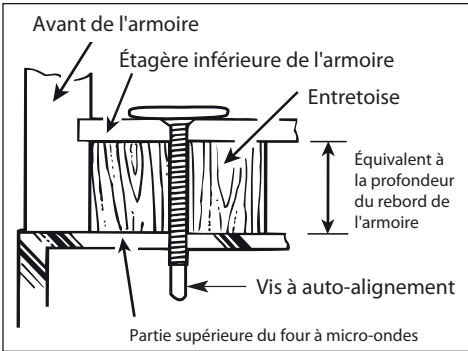


Lors du montage du four à micro-ondes, faites passer le cordon d'alimentation dans le trou situé au fond de l'armoire supérieure. Gardez-le bien tendu durant les étapes 1 à 3. Ne coincez pas le cordon et ne vous en servez pas pour soulever le four.

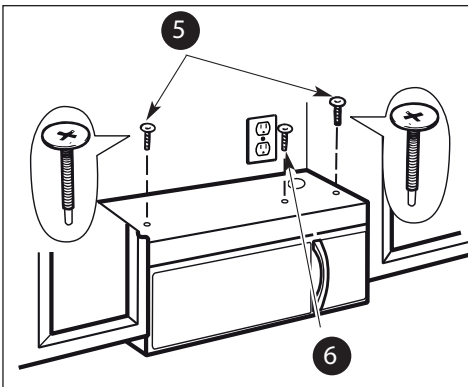


2. Tournez l'avant du four vers le haut de telle sorte qu'il s'adosse contre le fond de l'armoire.
3. Insérez une vis à auto-alignement dans le trou situé au centre de l'armoire supérieure. Fixez temporairement le four en effectuant deux rotations complètes de la vis après l'engagement des filetages. (Vous le serrerez complètement plus tard.) Assurez-vous que le cordon d'alimentation est bien serré. Veillez à ne pas le coincer, surtout lors d'un montage affleurant le fond de l'armoire.
4. Fixez le four à micro-ondes à l'armoire supérieure.

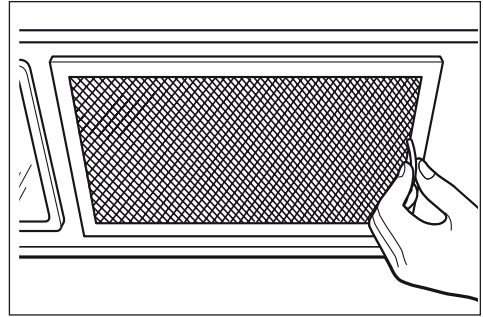
## 5 Installation



5. Insérez 2 vis à auto-alignement dans les trous situés à l'extérieur de l'armoire supérieure. Effectuez deux rotations complètes de chaque vis.



6. Serrez complètement la vis centrale.
7. Serrez les deux vis extérieures qui se trouvent sur la partie supérieure du four à micro-ondes. (Lorsque vous serrez les vis, maintenez le four à micro-ondes contre le mur et l'armoire supérieure.)



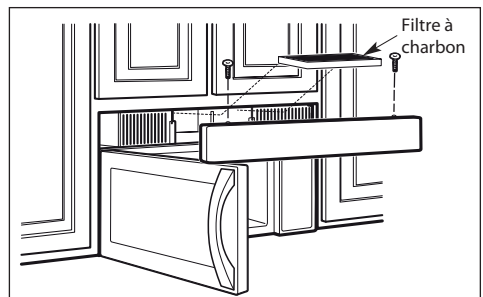
8. Installez les filtres à graisse. Reportez-vous au manuel d'utilisation qui accompagne le four à micro-ondes.

### C5. Installez ou changez le filtre à charbon



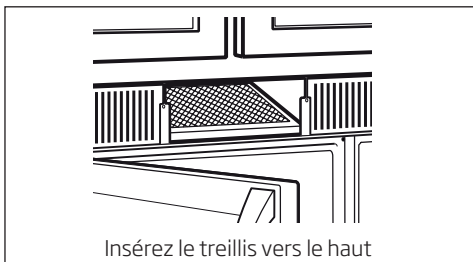
Le filtre à charbon est installé depuis l'usine pour les modèles recyclables. Suivez ces étapes pour remplacer un filtre ou pour en installer un lorsque vous changez votre four pour un modèle avec conduit pour le recyclage.

1. Retirez les vis sur la partie supérieure de la grille à l'aide d'un tournevis Phillips n° 1.
2. Ouvrez la porte du four.
3. Retirez la grille. Tirez sur la grille pour la retirer.



4. Installez le filtre à charbon : Insérez la partie supérieure du filtre dans l'appareil et poussez ensuite de filtre vers l'intérieur. Lorsqu'il est correctement installé, le treillis métallique du filtre doit être visible à l'avant du four.

## 6 Utilisation du produit



Avant d'utiliser votre micro-ondes à hotte intégrée ;

1. Assurez-vous que le produit a été installé conformément aux instructions.
2. Retirez tous les matériaux d'emballage de l'appareil.
3. Installez l'anneau de la plaque tournante et le plateau en verre dans la cavité
4. Remplacez les fusibles de la maison ou remettez le disjoncteur en marche.
5. Branchez le cordon d'alimentation à une prise électrique dédiée de 15 à 20 ampères.
6. Lisez le manuel d'utilisation.
7. Conservez les instructions d'installation, car elles seront utiles pour les inspecteurs locaux.

**Blomberg®**

**seit 1883**

[www.blomberginternational.com](http://www.blomberginternational.com)

[info@blomberginternational.com](mailto:info@blomberginternational.com)