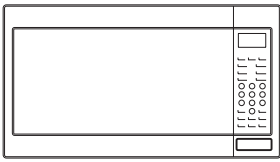


**200 Series Built-in**

**Microwave oven**

Width 30" (76 cm)



**BM 281-710\***

Left-hinged  
Stainless steel

**BM 281-730\***

Left-hinged  
Aluminium

\*Available 3<sup>rd</sup> quarter 2007.

**BM 281-710\***

- For integration into the housing with lift door BF 283 or the built-in trim kit BA 268. Matching the new 200 Series.
- Maximum microwave power up to 1200 W. High performance in a compact format.
- Various programs, sensor reheat and cooking programs.

Net volume 2.1 cu.ft.  
Oven interior dimensions:  
W 18<sup>7</sup>/<sub>16</sub>" x H 10<sup>15</sup>/<sub>16</sub>" x D 18<sup>1</sup>/<sub>2</sub>"  
(469 x 278 x 470 mm).  
Appliance dimensions:  
W 23<sup>7</sup>/<sub>8</sub>" x H 14" x D 19<sup>7</sup>/<sub>16</sub>"  
(606 x 356 x 493 mm).

Digital function display.  
Touch control panel.

16<sup>1</sup>/<sub>2</sub>" glass rotating plate.  
Adjustable cooking time up to 99 minutes.  
Ability to adjust cooking time during countdown.

Innowave. (see pages 4 – 6)

Max. output power 1200 W.  
10 power levels.  
18 sensor cooking programs.  
1 sensor reheat program.  
1 popcorn sensor cooking program.  
Auto defrost program by weight.

Kitchen timer.  
20 W interior light.  
Side-opening door with panoramic window, left-hinged.  
Child lock.  
Push release door opening system.  
Triple door lock.

**Installation accessories:**

**BF 283-010** Housing with lift door, matching the 200 Series, stainless steel behind glass.

**BF 283-030** Housing with lift door, matching the 200 Series, aluminium behind glass.

**BA 268-810** Built-in trim kit in stainless steel for installation over 30" 200 Series oven.

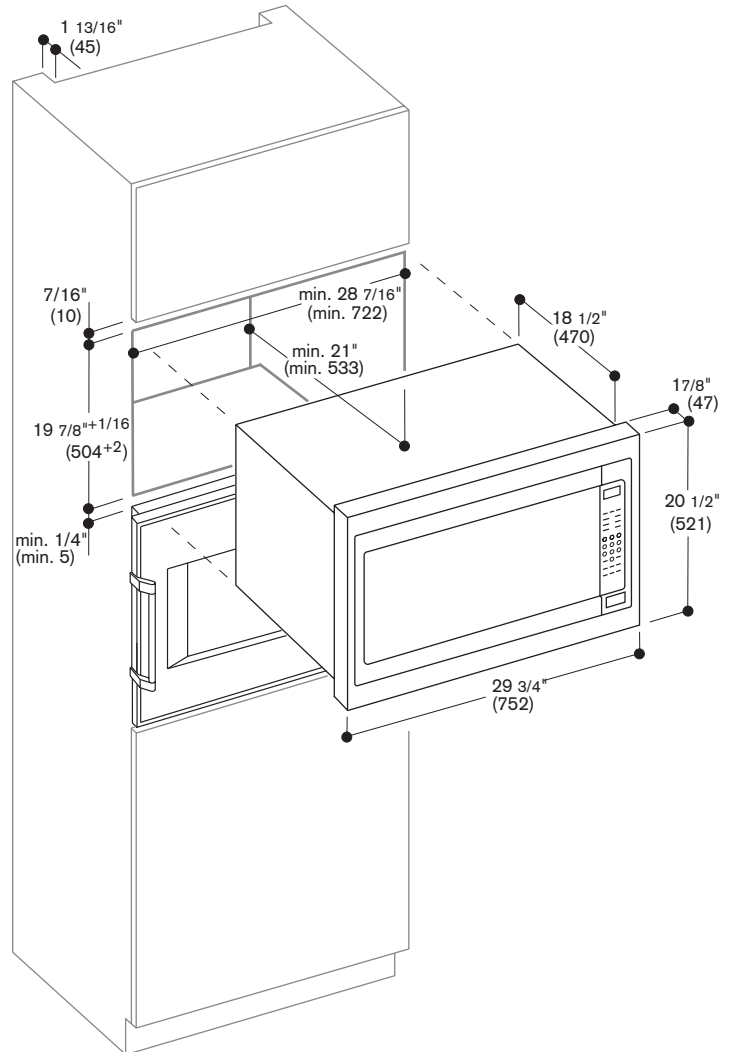
**BA 268-830** Built-in trim kit in aluminium for installation over 30" 200 Series oven.

**Planning notes:**

**Door hinge not reversible.**  
Minimum installation height 36<sup>1</sup>/<sub>16</sub>" (916 mm).

**Rating:**

**Total connected load 1.46 kW.**  
**Connecting cable 4<sup>1</sup>/<sub>8</sub>" (1.0 m) with plug.**  
**120V/60Hz**



Numbers indicated inside parenthesis ( ) = mm