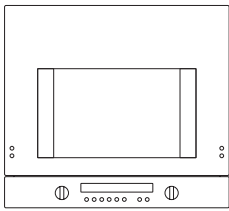


200 Series Wall-mounted Lift Oven
Pyrolytic self-cleaning system
Width 24" (60 cm)



BL 253-610*
Stainless steel-tinted glass frontage

Included accessories:
 One wire rack.
 One baking tray.
 One grill tray.

* Planned availability
 October 2007.

BL 253-610*

- **Liftmatic operating system:** At the push of a button, the base of the oven travels down.
 - **11 heating modes**, exact temperature control from 85°F – 570°F, pyrolytic self-cleaning.
 - **The highlight of the kitchen.** Stainless steel-tinted glass frontage, 24" wide.

Universal heating system with 11 heating modes.

Net volume 1.8 cu.ft.

Liftmatic with electric motor.
 Glass ceramic base.
 Electronic temperature control from 85°F – 570°F .
 Function display with automatic cooking timer.
 Automatic temperature recommendation.
 Super-Quick Preheating function.
 Temperature control with actual temperature display.
 Preheating of dishes.
 Keeps meals warm when open or closed.
 Residual heat indication.

2 x 10 W lateral halogen lighting. 40 W for lighting.
 The lights turn on automatically when the lift is opened.
 Thermally insulated safety glass front with quadruple glazing.

Pyrolytic self-cleaning.
 Enameled oven interior.
 Grease filter.
 Air cleaning catalyst.

Cooled housing with delayed shut-off fan.
 Electronic lift door lock.
 Child lock.
 Safety lock.

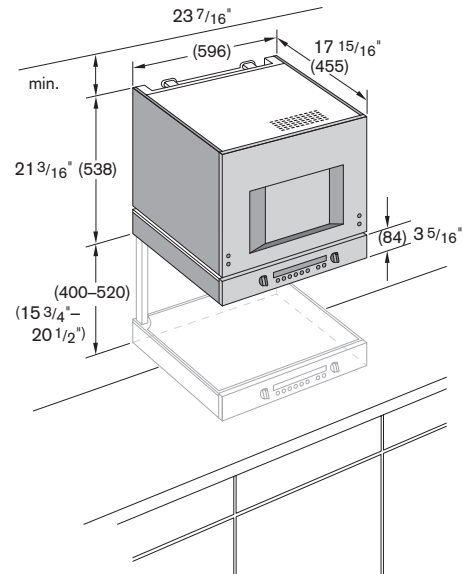
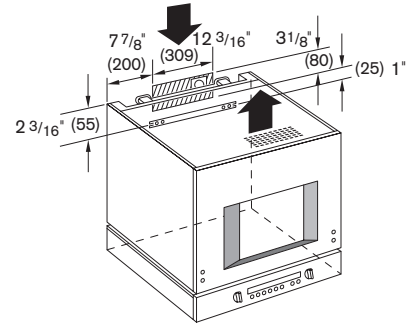
Optional accessories:	BA 226-200 Baking tray.
	BA 226-210 Broil tray.
	BA 236-200 Wire rack.
	BA 236-210 Rack for grill tray.
	BS 020-002 Set of 2 pizza peels.

Planning notes:

Plan a power outlet in the connection area (shaded area in the figure) above the oven or outside the installation area. The ventilation and air extraction slots must remain free. When installing under wall-mounted cabinets, a maximum cabinet depth of 13 3/4" must be observed. In the travel area of the lift base, ensure 4" lateral clearance from the worktop beneath or adjacent cabinetry. The adjacent cabinetry must be heat resistant. Installation of a cooktop under the oven is not permitted.

Rating:

Total rating: 3.6 kW.
Total Amps: 16 Amps
208/220-240V/60Hz
Cable length 47" without plug.



Numbers indicated inside parenthesis () = mm