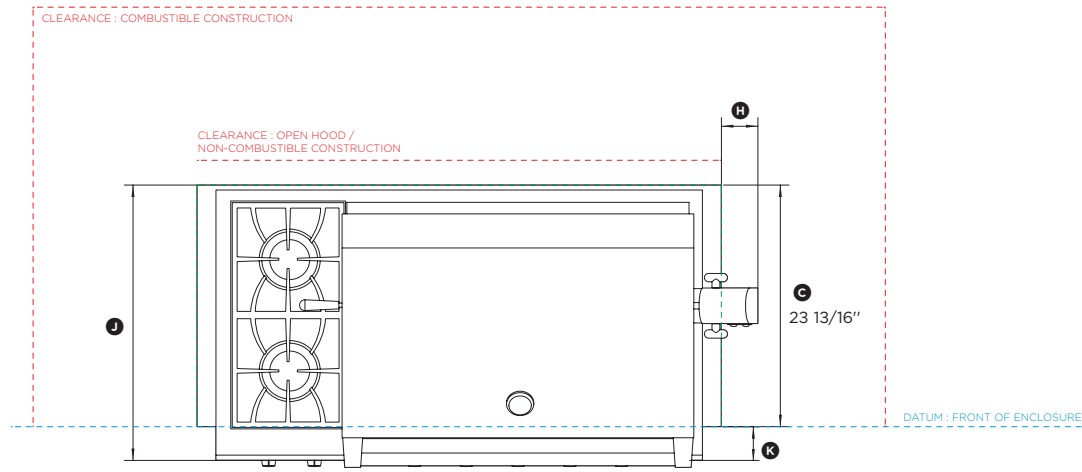
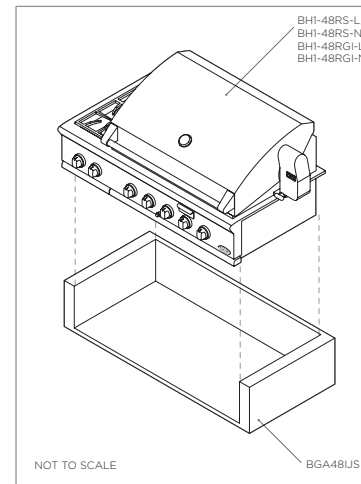


Data sheet

48" Outdoor Grill with Insulation Jacket



PLAN VIEW

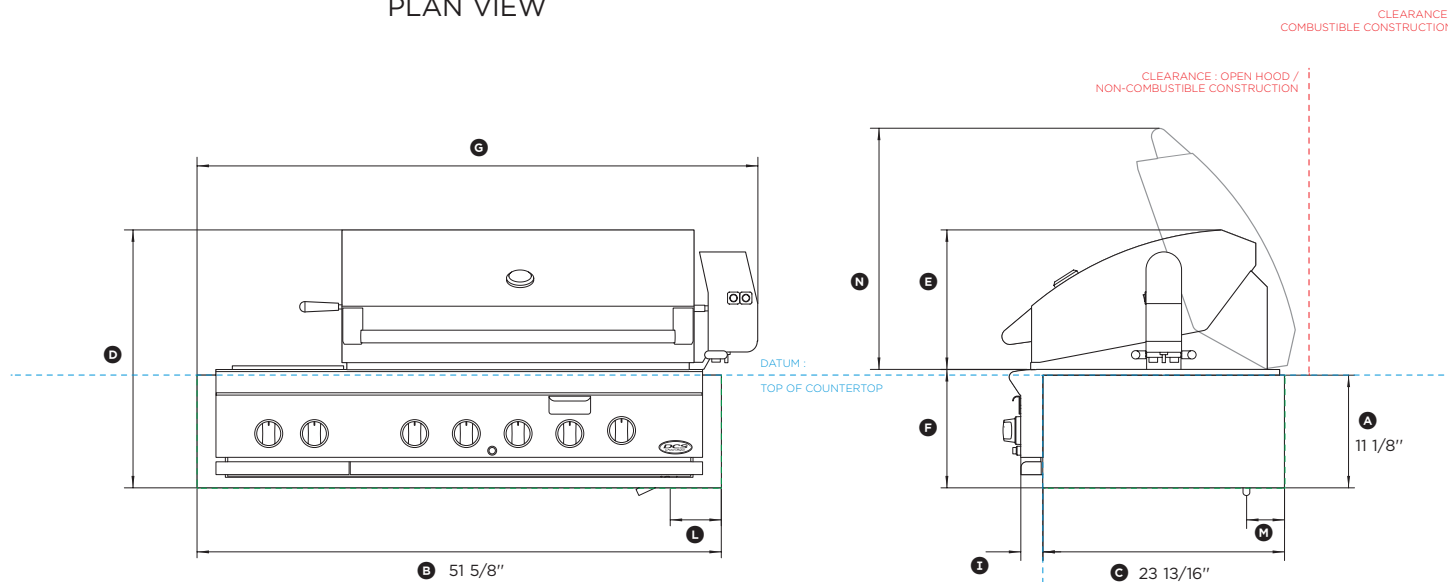


Model no:

BH1-48RS-L, BH1-48RS-N, BH1-48RGI-L, BH1-48RGI-N with BGA48IJS

(refer page 2 for metric measurements)

Dimensions	in
Ⓐ Height of insulation jacket	11 1/8"
Ⓑ Overall width of insulation jacket	51 5/8"
Ⓒ Depth from front datum to rear of insulation jacket	23 13/16"
Ⓓ Overall height of grill with insulation jacket	25 3/8"
Ⓔ Height from top of hood to top of chassis	13 3/4"
Ⓕ Height from top of chassis to bottom of insulation jacket	11 5/8"
Ⓖ Overall width of grill with insulation jacket	55 1/4"
Ⓗ Width from right side of jacket to right side of motor cover	3 5/8"
Ⓘ Depth from control panel to front datum	2 3/16"
Ⓛ Overall depth of grill with insulation jacket (excluding handle and dials)	27 1/16"
Ⓚ Depth from front of product to front datum (excluding handle and dials)	3 3/8"
Ⓜ Distance from gas inlet to right side of insulation jacket	5 1/16"
Ⓝ Distance from gas inlet to rear of insulation jacket	3 3/4"
Ⓞ Height from top of open hood to top of chassis	24 5/8"



FRONT VIEW

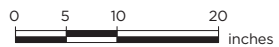
PROFILE VIEW

Minimum Clearances	in
Overall width of cavity	51 5/8"
Overall depth of cavity	23 3/4"
Overall height of cavity	11 1/8"
Clearance for open hood / non-combustible construction	3"
Clearance to adjacent vertical combustible construction from sides and rear of grill above countertop level	18"

INDICATES CUTOUT
INDICATES PRODUCT DATUM
INDICATES CLEARANCES

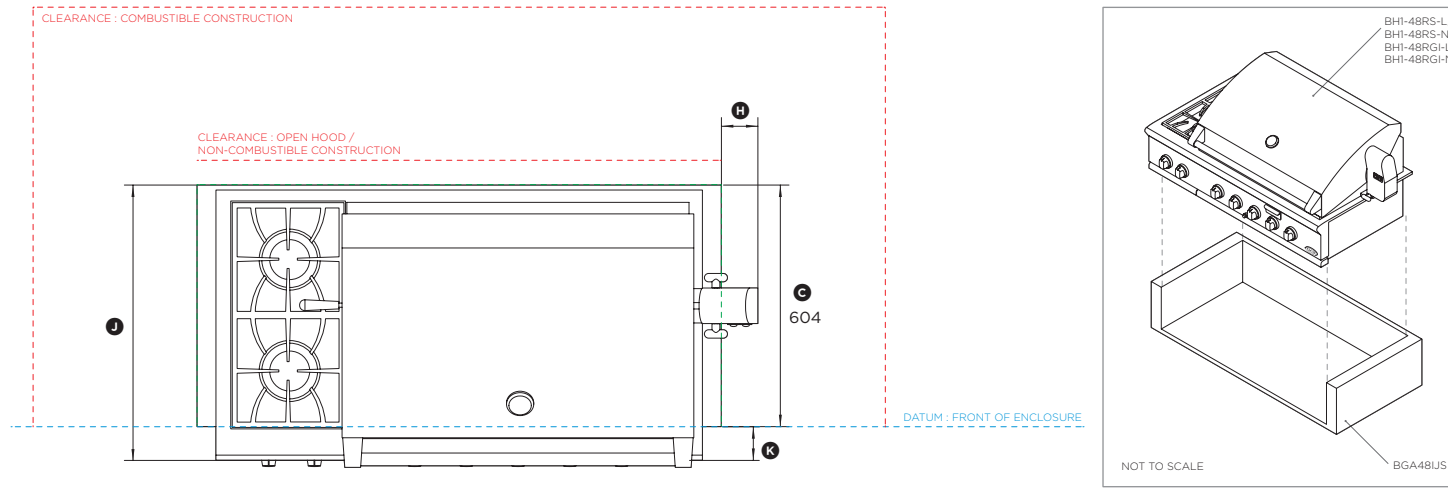
DATE: 15.01.2016

IMPORTANT NOTE: Throughout this guide, dimensions may vary by ±2mm (3/32"). Please read the installation manual for detailed information on installing the product. www.dcsappliances.com

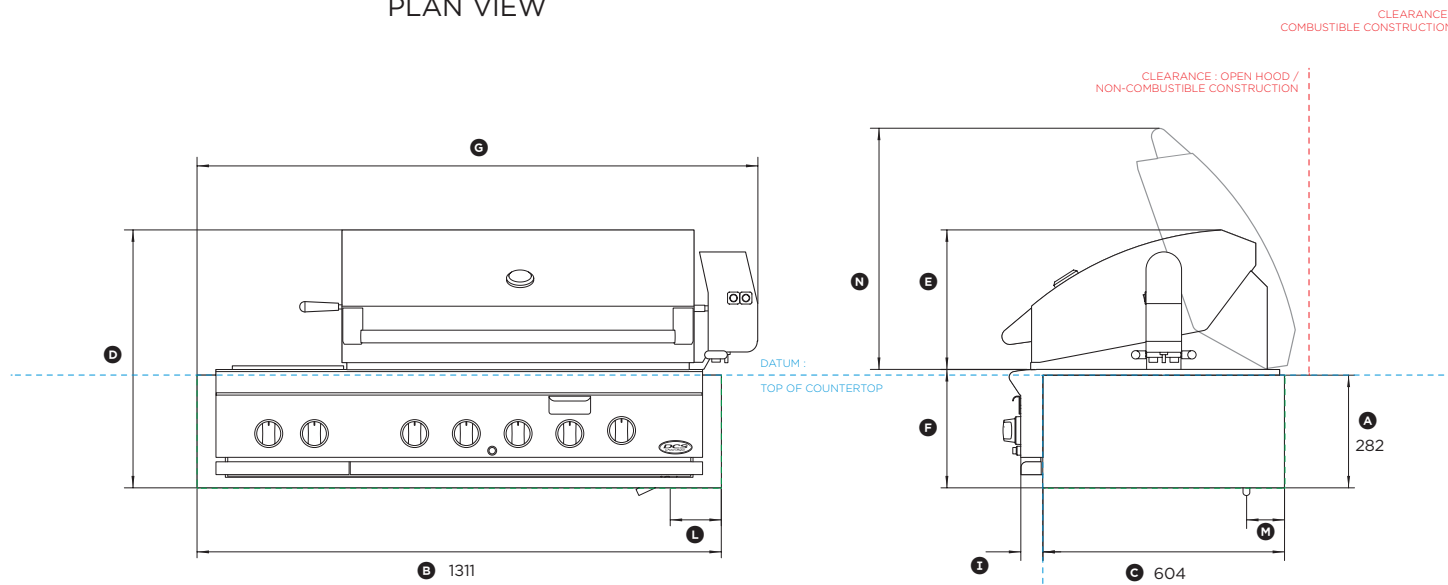


Data sheet

48" Outdoor Grill with Insulation Jacket



PLAN VIEW



FRONT VIEW

PROFILE VIEW

Model no:

BH1-48RS-L, BH1-48RS-N, BH1-48RGI-L, BH1-48RGI-N with BGA48IJS

(refer page 1 for imperial measurements)

Dimensions	mm
Ⓐ Height of insulation jacket	282
Ⓑ Overall width of insulation jacket	1311
Ⓒ Depth from front datum to rear of insulation jacket	604
Ⓓ Overall height of grill with insulation jacket	645
Ⓔ Height from top of hood to top of chassis	349
Ⓕ Height from top of chassis to bottom of insulation jacket	296
Ⓖ Overall width of grill with insulation jacket	1403
Ⓗ Width from right side of jacket to right side of motor cover	92
Ⓘ Depth from control panel to front datum	55
Ⓛ Overall depth of grill with insulation jacket (excluding handle and dials)	688
Ⓚ Depth from front of product to front datum (excluding handle and dials)	85
Ⓜ Distance from gas inlet to right side of insulation jacket	128
Ⓝ Distance from gas inlet to rear of insulation jacket	95
Ⓢ Height from top of open hood to top of chassis	626

Minimum Clearances	mm
Overall width of cavity	1311
Overall depth of cavity	603
Overall height of cavity	283
Clearance for open hood / non-combustible construction	76
Clearance to adjacent vertical combustible construction from sides and rear of grill above countertop level	457

INDICATES CUTOUT
 INDICATES PRODUCT DATUM
 INDICATES CLEARANCES

DATE: 15.01.2016

IMPORTANT NOTE: Throughout this guide, dimensions may vary by ±2mm (3/32"). Please read the installation manual for detailed information on installing the product. www.dcsappliances.com

