

**24 INCH FREESTANDING GAS RANGE****BGR24102SS**

GENERAL	
Type	Freestanding
Size	24"
Finish	Stainless Steel
Side Walls	Black
Control Type	Knob Control
Burner Color	Black
Knob Color	Stainless Steel
Fuel Type	Natural Gas

FUNCTIONS	
Bake	Yes
Broil	Gas

FEATURES	
Oven Rack Positions	5
Oven Enamel Color	Gray
Interior Illumination	1 x Halogen Light
Adjustable Feet	Yes
Bottom Compartment	Storage Drawer
Oven Glass Window	Full Glass
Door Cooling System	3 Pane Heat Resistant Glass(fixed)

COOKTOP	
Burner Configuration	4 Gas
Front Left	10,000 BTU
Rear Left	7,000 BTU
Front Right	3,500 BTU
Rear Right	7,000 BTU
Simmering	2.5 cu. ft.
Pan Support Type	Continuous cast iron
Pan Support Quantity	2
Gas Safety Device for hob	Yes
Gas Safety Device for oven	Yes

ACCESSORIES	
LP Conversion Kit	Yes
Island Trim	Included
Splash Back	Optional
Anti-Tip Bracket	Yes
Chromed Wire Racks	2

POWER RATINGS	
Volts / Frequency	110–120 V, 60 Hz
Power Cord	4-prong NEMA power supply cord
Plug Type	USA
Oven Power Consumption	7,450 BTU
Broil Power Consumption	7,400 BTU

DIMENSIONS/WEIGHT	
Required Cutout Dimensions - (H x W x D) Inches	36" x 24" x 24"
Product Dimensions - (H x W x D) Inches	36" x 23 ⁹ / ₁₆ " x 25 ³ / ₄ "
Product Dimensions - (H x W x D) cm	90 x 60 x 60.4 cm
Product Weight - lbs / kg	149.5 lbs / 68 kg

Large Oven Capacity

Blomberg knows you can never have too much room in your oven, even if there's not a lot of room in your kitchen. That's why we engineered a generous 2.51 cu. ft. oven capacity into our 24-inch range.

**Flame-failure Safety Device**

All Blomberg 24-inch gas ranges are designed to be intelligent and safe as well as stylish and efficient. Cooking burners are equipped with a flame failure safety device that automatically cuts off the gas supply should a gust of wind, a spill, or a boil over extinguish the burner flame at any time during cooking.

**Easy Clean Gray Enamel**

Blomberg 24-inch oven cavities are coated with a long-lasting, nonporous, gray enamel finish that is not only attractive but also extremely easy to clean. Just a simple wipe with a damp cloth is all it takes to remove fresh spills and keep your oven looking like new.

**Gas Safety Valve**

All Blomberg gas ranges feature oven broilers equipped with a gas safety device that automatically cuts off the gas supply if it senses the broiler flame has been accidentally extinguished during cooking.

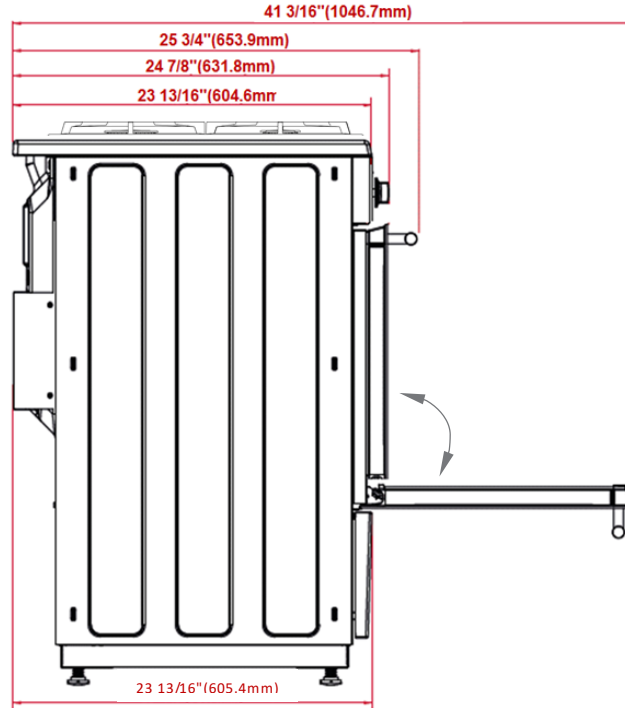
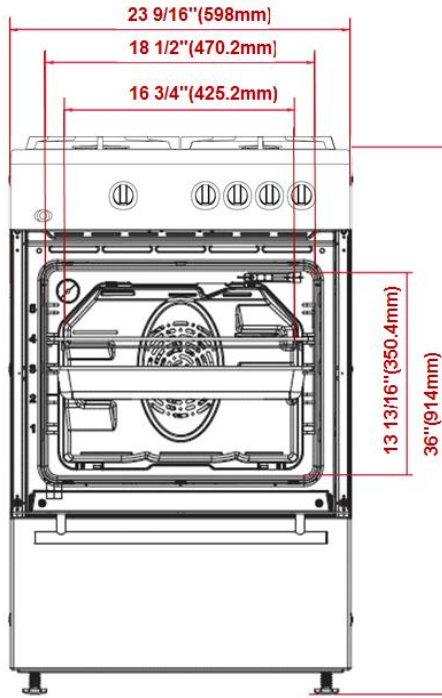




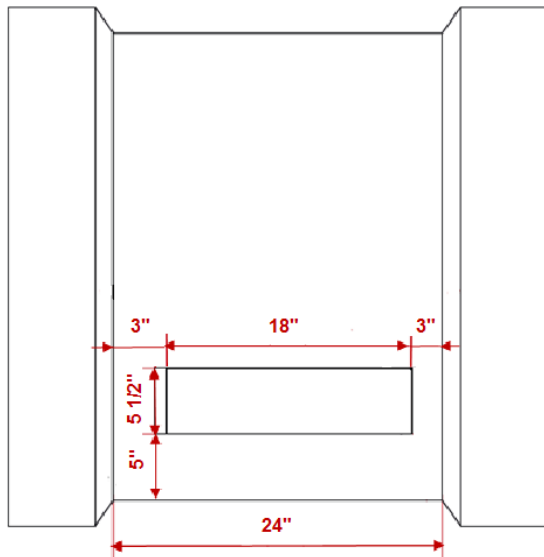
24 INCH FREESTANDING GAS RANGE

BGR24102SS

Dimensions and Installation

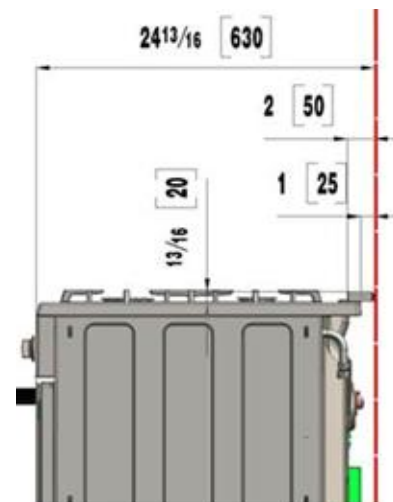


Cabinet



Required minimum air gap clearances: 1/4" sides

Island Trim



Island trim: standard comes with the range un-attached.

NOTE TO THE INSTALLER: All height, width and depth dimensions are shown in inches (as well as metric). Beko US Inc. reserves the absolute and unrestricted right to change product materials and specifications, at any time, without notice. Please visit our website www.blombergappliances.com or call 888-352-2356 to verify the latest specifications with final dimensional data and other details prior to installation and making a cutout. Applicable product limited warranty information may be found in accompanying product materials or you may contact your account manager for further details. Proper installation is the responsibility of the installer. Product failure due to improper installation is not covered under the Limited Warranty.